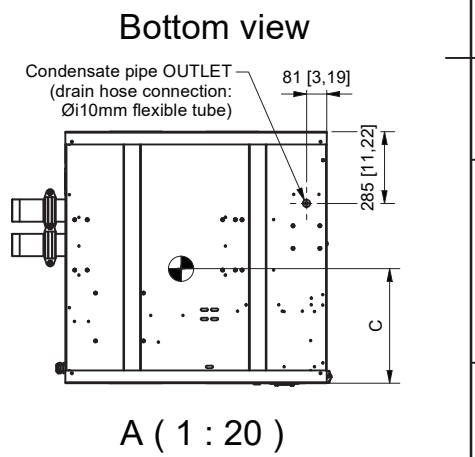
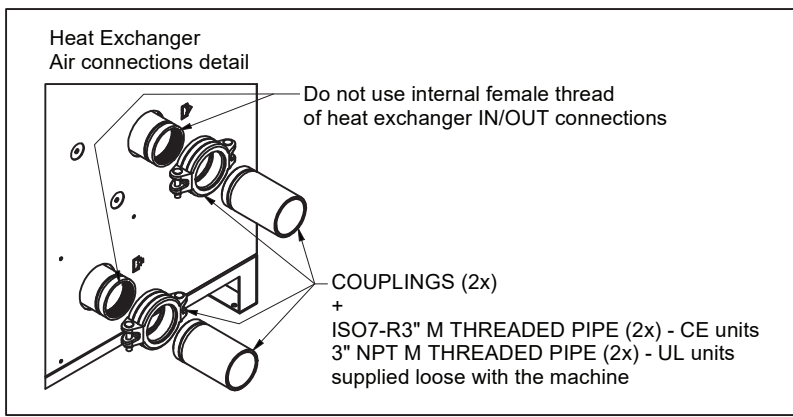
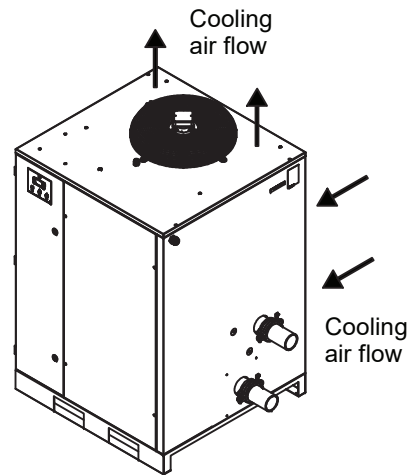
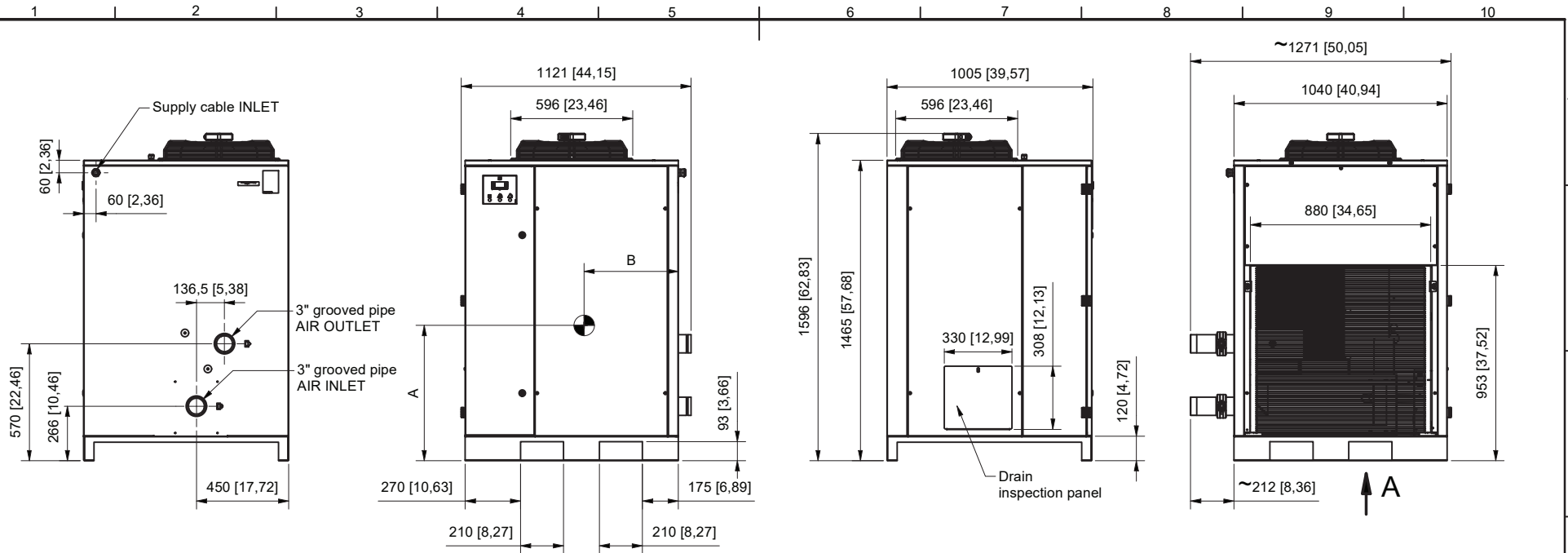


All materials supplied are in compliance with the requirements of the List of Prohibited Substances



Weights and quotes (mm [inch]) - approx.					
Dryer	Variant	A	B	C	Weight
E16	400V / 460V / 380V	668 [26,30]	448 [17,64]	457 [17,99]	325 kg / 717 lb
E16	575V	652 [25,67]	462 [18,19]	448 [17,64]	335 kg / 739 lb
E17	400V / 460V / 380V	674 [26,54]	456 [17,95]	460 [18,11]	338 kg / 745 lb
E17	575V	658 [25,91]	468 [18,43]	452 [17,80]	348 kg / 767 lb

Centre of gravity
All dimensions: mm [inch]

Tolerances, if not indicated, according to:					
Name DIM. DRWG E16-17 - DXR1050N - DXR1200N					Confidentiality Class acc. to 1102 K
Material Not Applicable					Internal
Treatment Not Applicable					INV
Scale	1 : 20	Family	Compare	Drawing Owner	Transferred from
Drawn by	caisbon	Blank nr.	Replaces	ITJ	
Drawing format	Blank wt	Fin. wt.	See Drawing	Designation	Sheet 1 / 1
STATUS	A3	Kg	Date	05/07/2022	
Approved Internal			Des checked.	Prod checked.	Approved.
					9828084787

CONFIDENTIAL: This document is our property and shall not be distributed without our permission. It is to be used for manufacturing or communicated to any other person or company.

00	First release. CID28382. DN22054160	10-26-2022	caisbon	9828084787	
Ed	Position Modified from	Date	Intr./Appd.	Parent 3D model	Ed . Version 3D