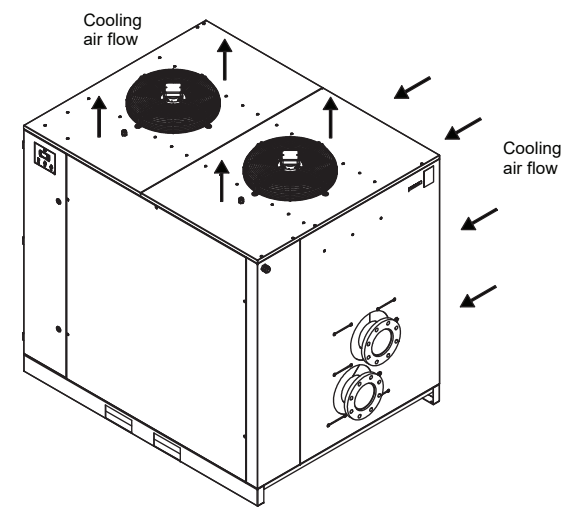
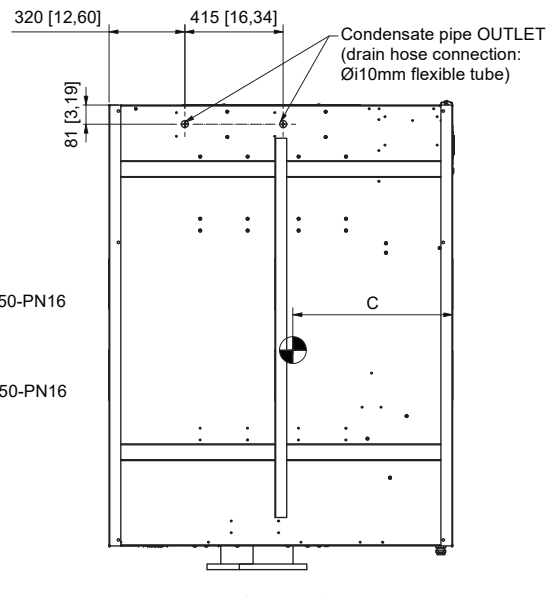
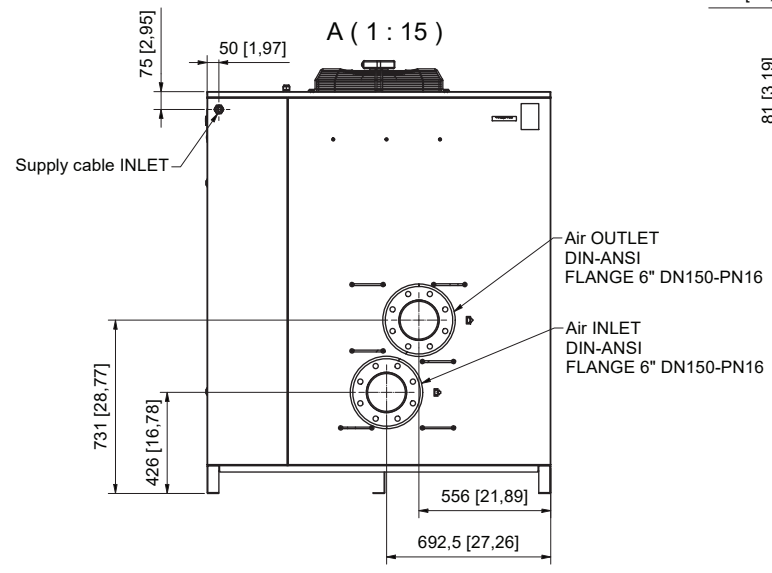
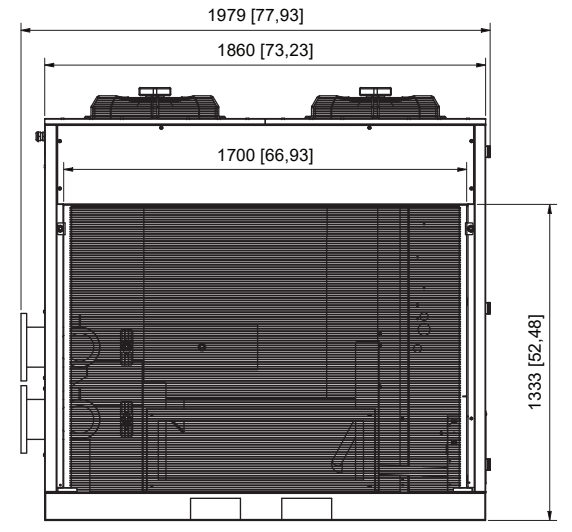
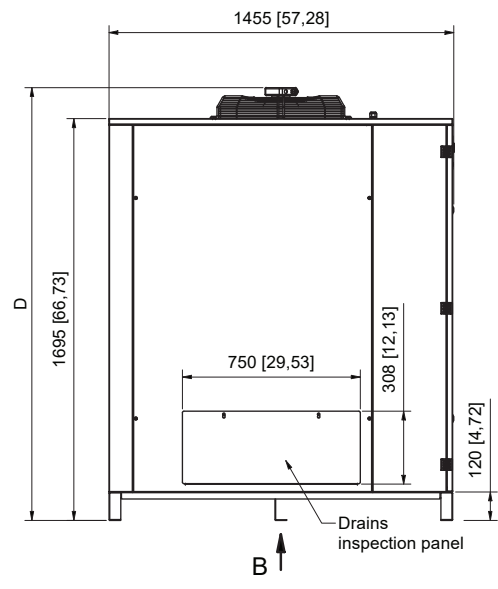
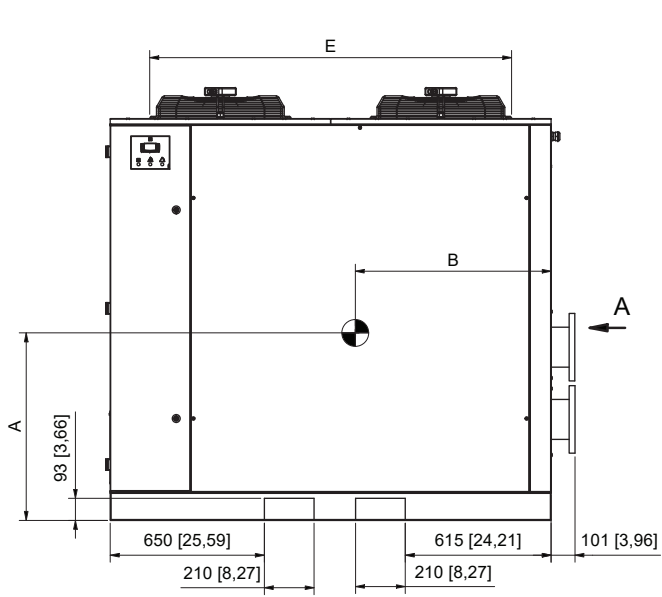


All materials supplied are in compliance with the requirements of the List of Prohibited Substances



Weights and quotes (mm [inch]) - approx.							
Dryer	Variant	A	B	C	D	E	Weight
E20	400V / 460V / 380V	793 [31,22]	828 [32,60]	676 [26,61]	1826 [71,89]	1527 [60,10]	810 kg / 1786 lb
E20	575V	784 [30,87]	839 [33,03]	670 [26,38]	1826 [71,89]	1527 [60,10]	825 kg / 1819 lb
E21	400V / 460V / 380V	791 [31,14]	826 [32,52]	674 [26,54]	1826 [71,89]	1527 [60,10]	815 kg / 1797 lb
E21	575V	783 [30,83]	837 [32,95]	668 [26,30]	1826 [71,89]	1527 [60,10]	830 kg / 1830 lb
E22	400V / 460V / 380V	834 [32,83]	887 [34,92]	682 [26,85]	1833 [72,17]	1659 [65,30]	900 kg / 1984 lb
E22	575V	826 [32,52]	897 [35,32]	676 [26,61]	1833 [72,17]	1659 [65,30]	917 kg / 2022 lb

B (1:15)  
Bottom view

Centre of gravity  
All dimensions: mm [inch]

Tolerances, if not indicated, according to:							
Name		DIM. DRWG E20-22 - DXR3000N- DXR4200N		Confidentiality Class acc. to TRG K		Internal	
Material		Not Applicable		Treatment		INV	
Scale		1 : 15		Family		Compare	
Drawing format		caisbon		Blank nr.		Replaces	
STATUS		A2		Kg		Fini wt.	
Des checked.		Prod checked.		Approved.		Date	
Parent 3D model		Ed . Version 3D		Designation		Sheet 1 / 1	
9828084790		Approved Internal		Date 21/07/2022		9828084790	

CONFIDENTIAL: This document is our property and shall not be without our permission be altered, copied, reproduced or disseminated in any form or by any means.

Ed	Position	Modified from	Date	Intr./Appd.
00		First release. CID28382. DN2054160	10-26-2022	caisbon