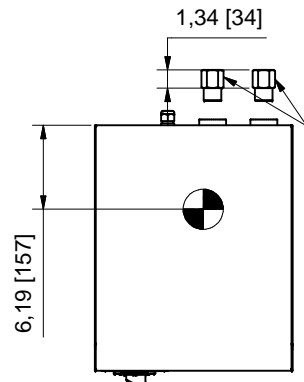
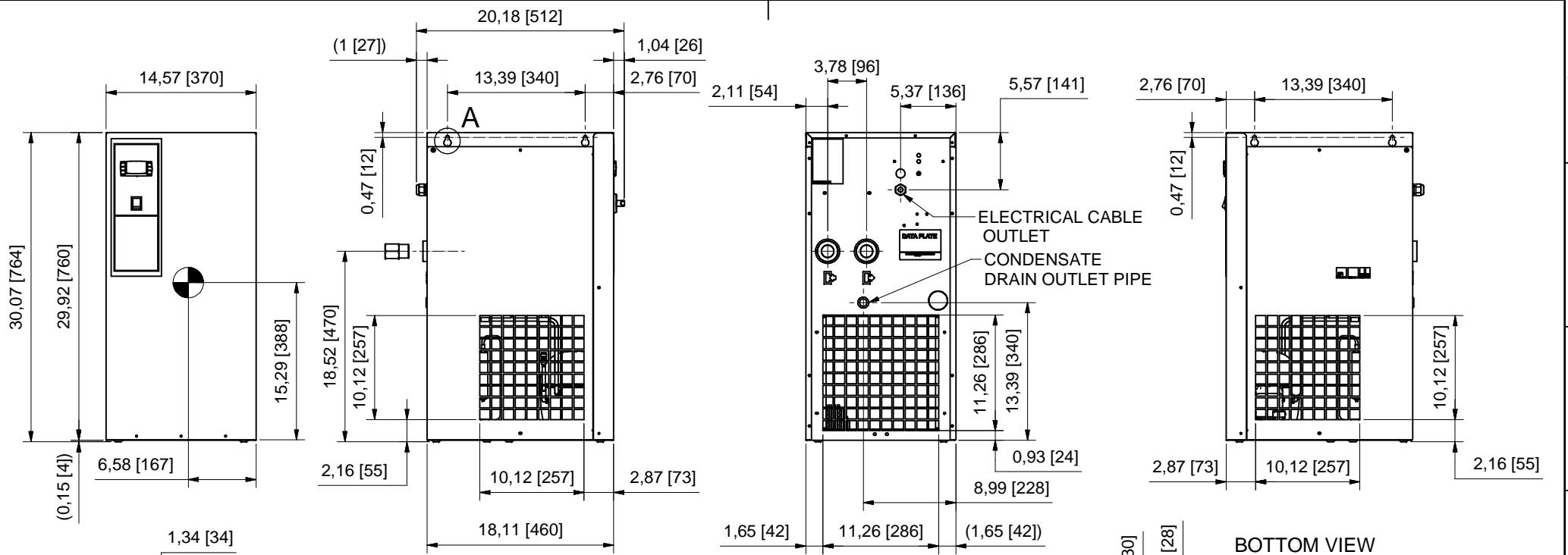
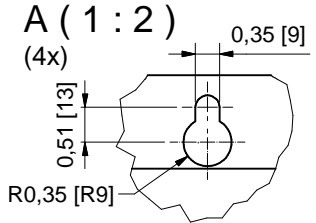
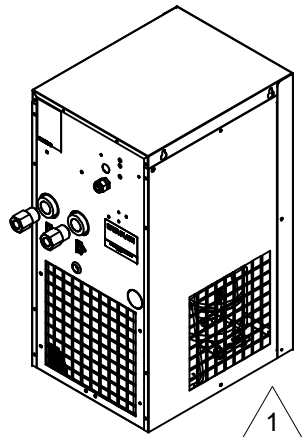


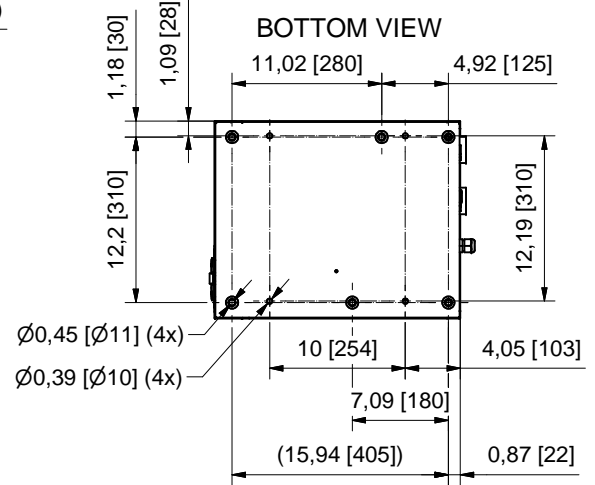
All materials supplied are in compliance with the requirements of the List of Prohibited Substances



1  
BUSHING  
(for DXR N version)



DRYER VERSION	AIR IN/OUTLET
DXR0140E(E5)	1" GAS
DXR0180E(E6)	1" GAS
DXR0050N(E6)	1/2" NPT (BUSHING)
DXR0065N(E6)	3/4" NPT (BUSHING)



Tolerances, if not indicated, according to:					
Name	DIMENS. DRAWING DIM.DRAWING E5-6 NP		Confidentiality Class acc. to 1102 K		
Material	Not Applicable		Internal		
Treatment	Not Applicable		INV		
Scale	1 : 12	Family	E5-6	Compare	Drawing Owner
Drawn by	CAlebbettin	Blank nr.		Replaces	Transferred from
Drawing format	Blank wt.	Kg	Fin. wt.	see ATR	CAI
STATUS	A3	Des checked.	Prod checked.	Approved.	Date
Approved Internal				10/11/2021	Sheet 1 / 1
Designation					9828084635

CONFIDENTIAL: This document is our property and shall not without our permission be altered, copied, used for manufacturing or communicated to any other person or company.

CENTRE OF GRAVITY

ALL DIMENSIONS: inch [mm]

01	Updating models and connections.CID28141_DN22054103.	03-02-22	CAlebbettin	9828084635	
Ed	Position	Date	Intr./Appd.	Parent 3D model	Ed . Version 3D

Approved Internal