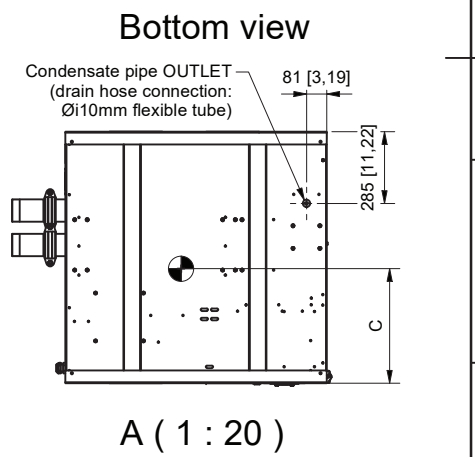
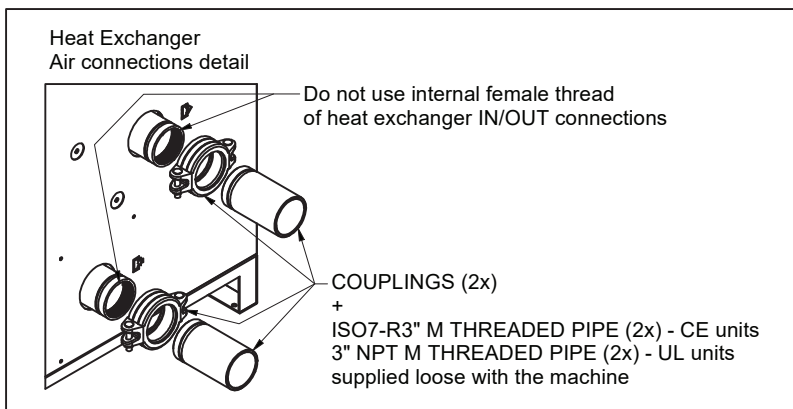
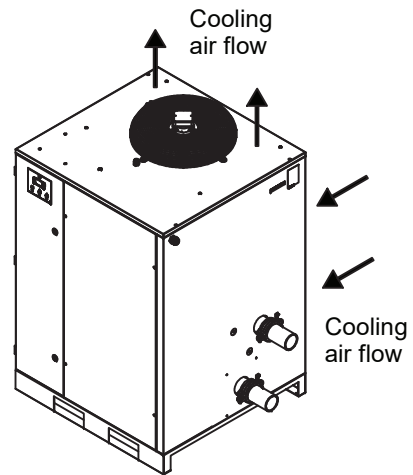
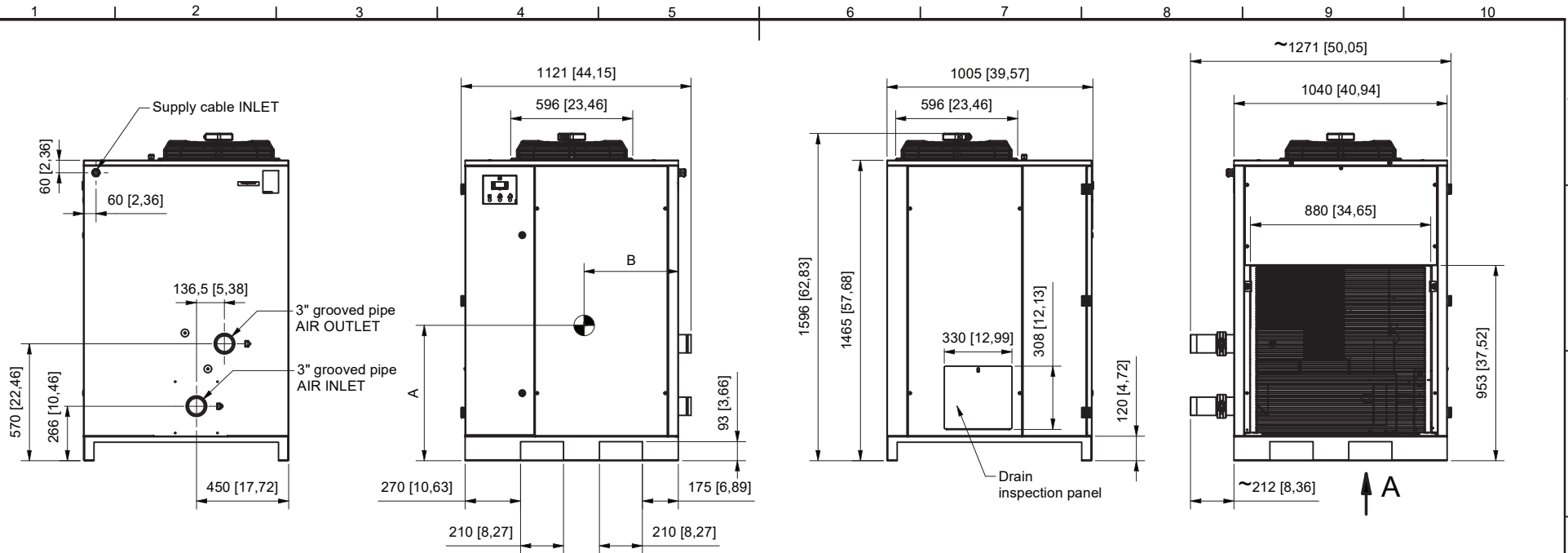


All materials supplied are in compliance with the requirements of the List of Prohibited Substances



Weights and quotes (mm [inch]) - approx.					
Dryer	Variant	A	B	C	Weight
E16	400V / 460V / 380V	668 [26,30]	448 [17,64]	457 [17,99]	325 kg / 717 lb
E16	575V	652 [25,67]	462 [18,19]	448 [17,64]	335 kg / 739 lb
E17	400V / 460V / 380V	674 [26,54]	456 [17,95]	460 [18,11]	338 kg / 745 lb
E17	575V	658 [25,91]	468 [18,43]	452 [17,80]	348 kg / 767 lb

Centre of gravity
All dimensions: mm [inch]

Tolerances, if not indicated, according to:					
Name DIM. DRWG E16-17			Confidentiality Class acc. to 1102 K		
Material Not Applicable			Internal		
Treatment Not Applicable			INV		
Scale 1 : 20	Family	Compare	Drawing Owner	Transferred from	
Drawn by caisbon	Blank nr.	Replaces	ITJ		
Drawing format Blank wt	Fin. wt.	See Drawing	Designation		
STATUS A3	Kg	Date 05/07/2022	Sheet 1 / 1		
Des checked.	Prod checked.	Approved.	9828084787		

CONFIDENTIAL: This document is our property and shall not be disclosed without our permission. It is intended for manufacturing or communication to any other person or company.

00	First release. CID28382. DN22054160	10-26-2022	caisbon	9828084787	
Ed	Modified from	Date	Intr./Appd.	Parent 3D model	Ed . Version 3D