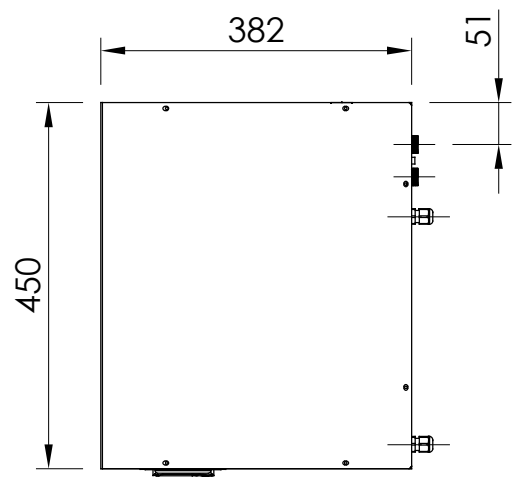
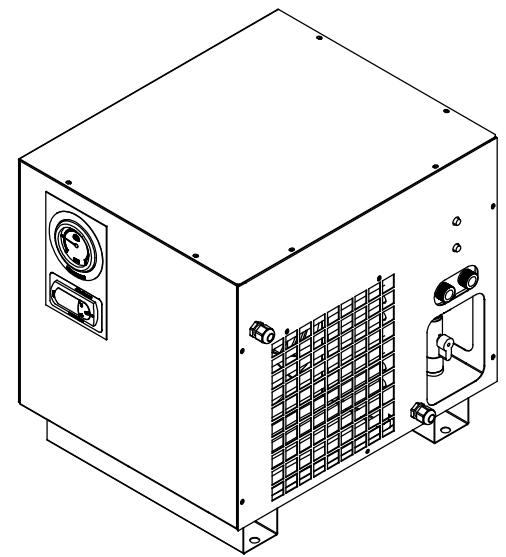


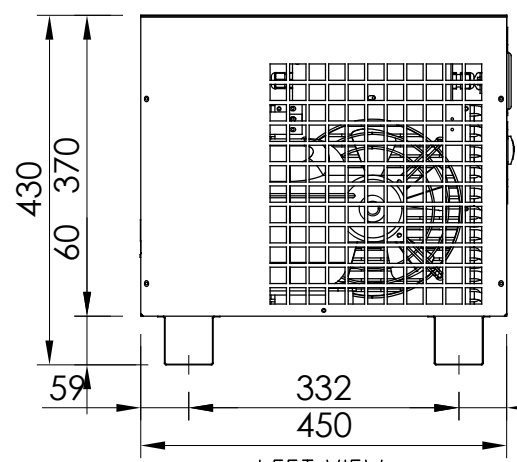
A = AIR INLET PIPE 1/2"
 B = AIR OUTLET PIPE 1/2"
 C = CONDENSATE DRAIN
 D = POWER SUPPLY



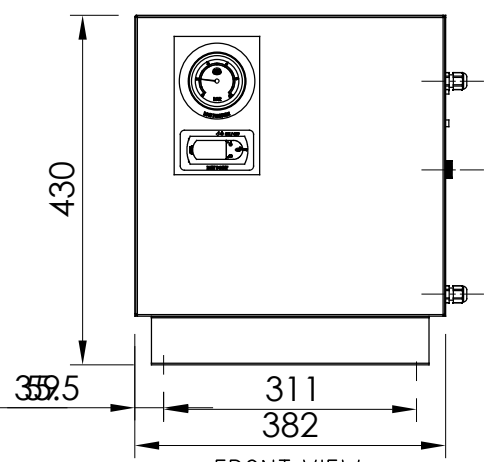
TOP VIEW



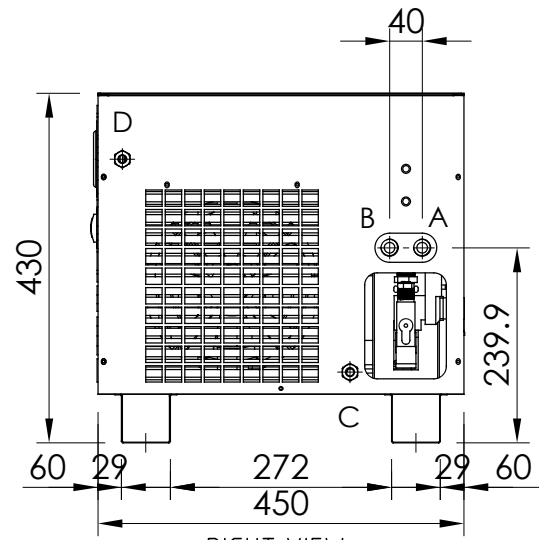
ISOMETRIC VIEW



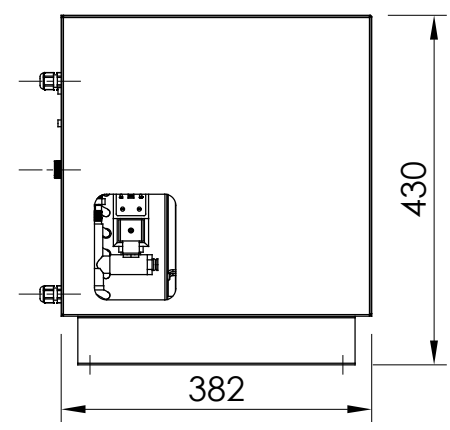
LEFT VIEW



FRONT VIEW



RIGHT VIEW



BACK VIEW



THIRD-ANGLE PROJECTION	MAT'L : -	QTY : -
	PAINTING : BLUE	DATE : JUNE 1, 2016
Unit : mm	SCALE : 1:10	
TITLE / NAME : DIMENSIONAL DRAWING NDX 0015 - 0045		
GEN. TOL. 1) DIM. 0 - 600 ±0.5 2) DIM. 600 - 1500 ±1.0 3) DIM. 1500 UP ±2.0 4) ANGLE ±1.0	DWG.No. NDX0015-0045	REV. : SHEET :

Drawing NDXHR3-1-001.DWG