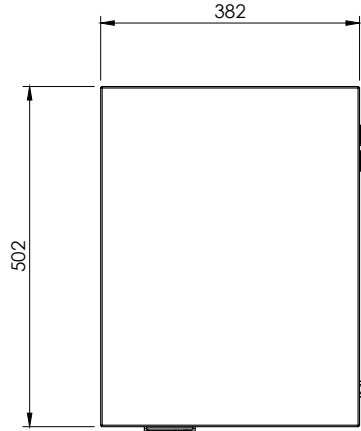


Files : W:\NDHR-MAST 8-12-5\NEW X NEW 4 17\CIMEN-1-1\AUF-01\AUF\NDX E5-1-1 CIMEN-1-1\DRAWING5 ----NEW.dwg

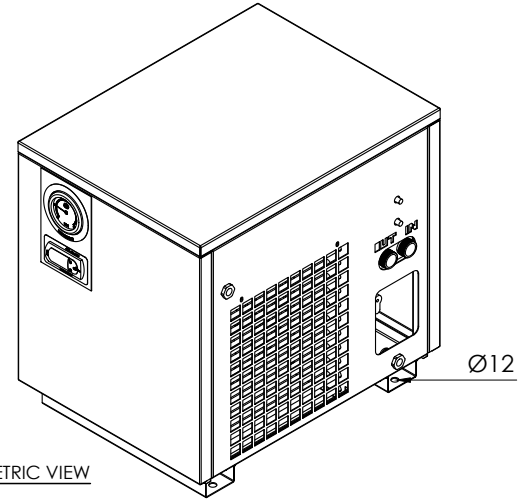
PRIOR

C

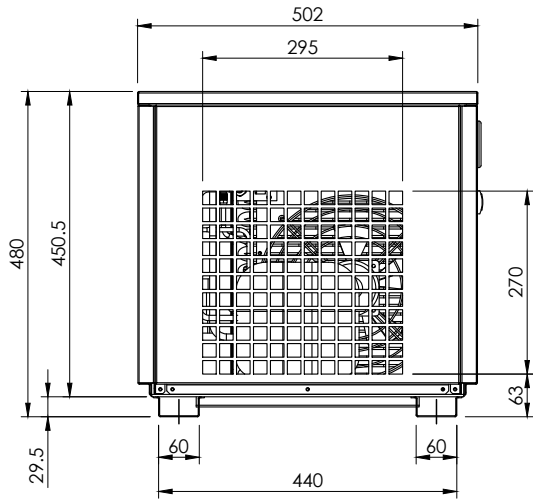
A = AIR INLET PIPE 3/4"  
 B = AIR OUTLET PIPE 3/4"  
 C = CONDENSATE DRAIN  
 D = POWER SUPPLY



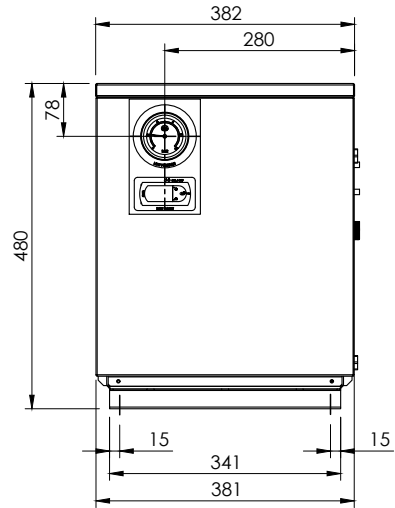
TOP VIEW



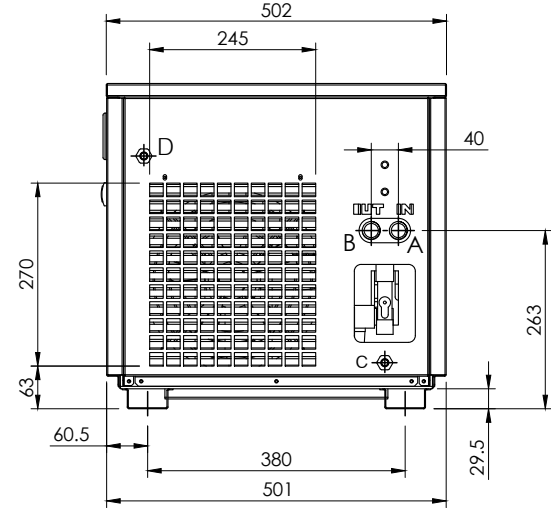
ISOMETRIC VIEW



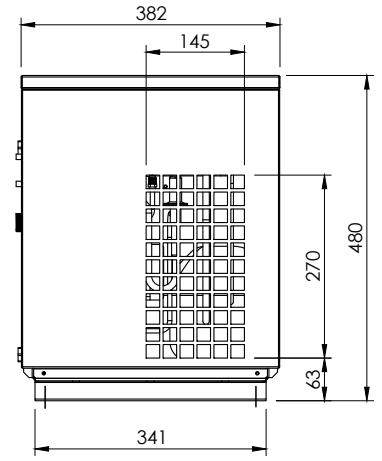
LEFT VIEW



FRONT VIEW



RIGHT VIEW



BACK VIEW

	THIRD-ANGLE PROJECTION	MAT'L : -	Q'TY : -
		PAINTING : WHITE	DATE : FEB 16, 2019
Unit : mm		SCALE : 1:10	
TITLE / NAME : DIMENSION DRAWING , NDX0055-0085			
GEN. TOL. 1) DIM. 0 - 600 ±0.5 2) DIM. 600 - 1500 ±1.0 3) DIM. 1500 UP ±2.0 4) ANGLE ±1.0		DWG.No. NDX0055-1-001	REV. : 01 SHEET :