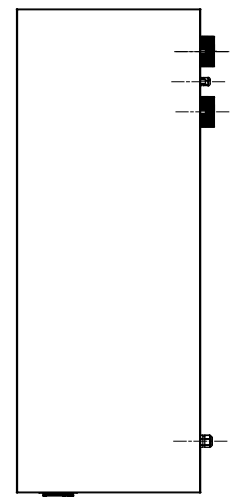
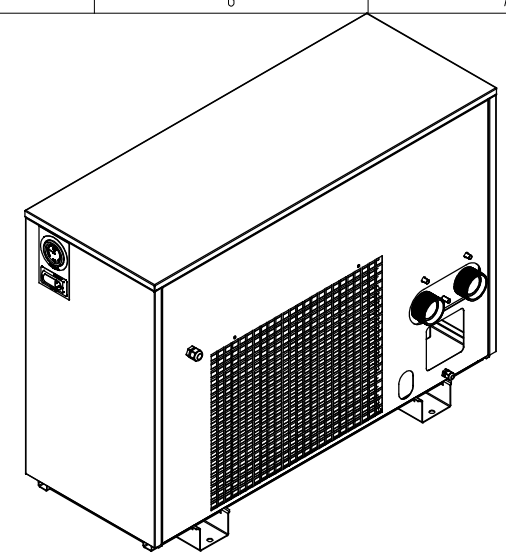


A = AIR INLET PIPE 2 - 2\_1/2"  
 B = AIR OUTLET PIPE 2 - 2\_1/2"  
 C = CONDENSATE DRAIN  
 D = POWER SUPPLY

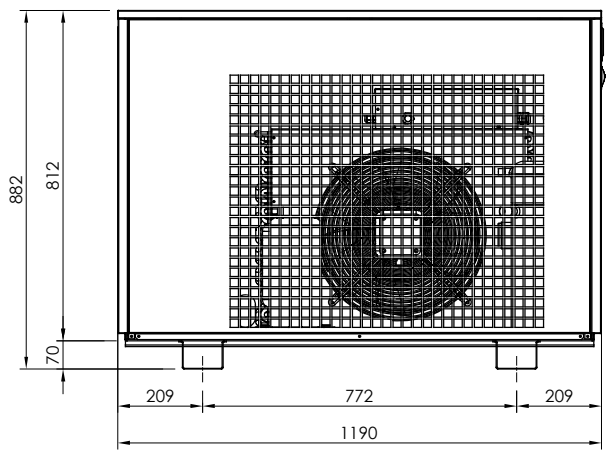
NDX 0340 - 2"  
 NDX 0470 - 2"  
 NDX 0550 - 2\_1/2"  
 NDX 0725 - 2\_1/2"



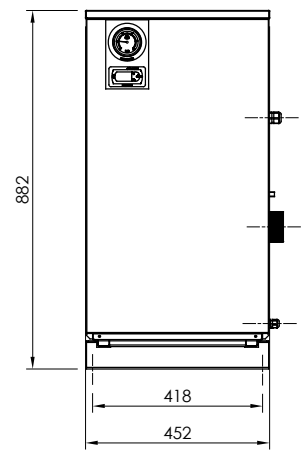
TOP VIEW



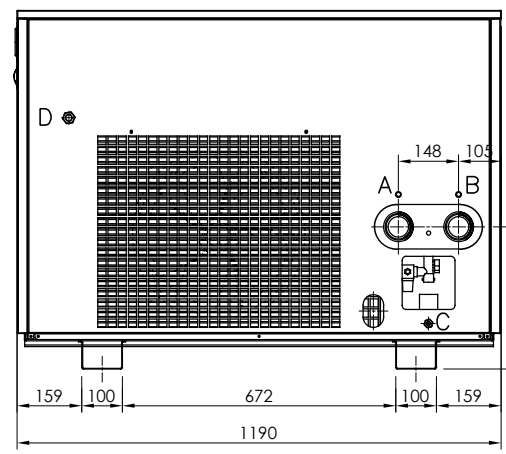
ISOMETRIC VIEW



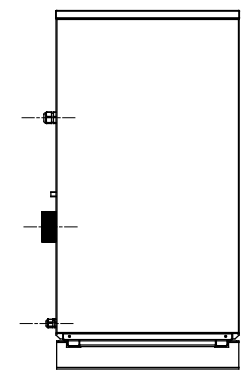
LEFT VIEW



FRONT VIEW



RIGHT VIEW



BACK VIEW

**nano**  
 PURIFICATION SOLUTIONS

GEN. TOL. 1) DIM. 0 - 600 ±0.5 4) ANGLE ±1.0  
 2) DIM. 600 - 1500 ±1.0  
 3) DIM. 1500 UP ±2.0

THIRD-ANGLE PROJECTION	MAT'L : -	Q'TY : -	
	PAINTING : BLUE	DATE : MAY 27, 2016	SCALE : 1:20
TITLE / NAME : DIMENSIONAL DRAWING NDX 0340 - 0725			
DWG.No. NDX 0340 - 0725	REV. :	SHEET :	

Drawing NDX HR75-1-001.dwg