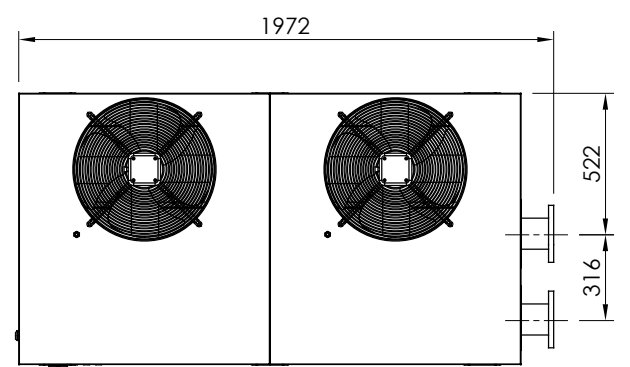
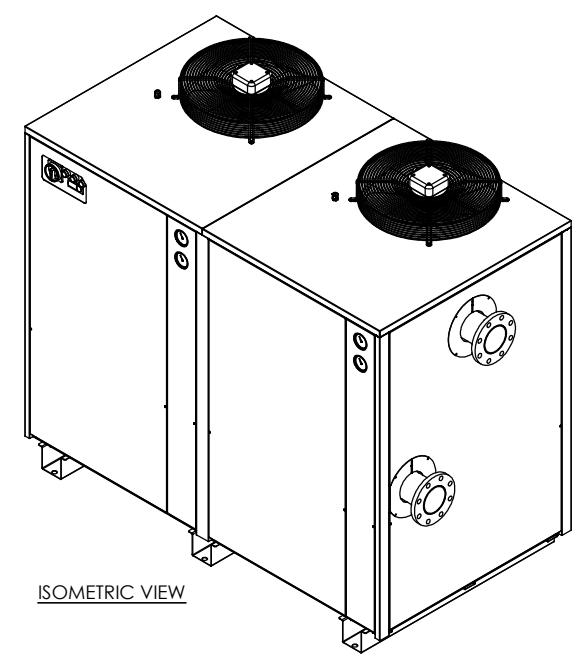


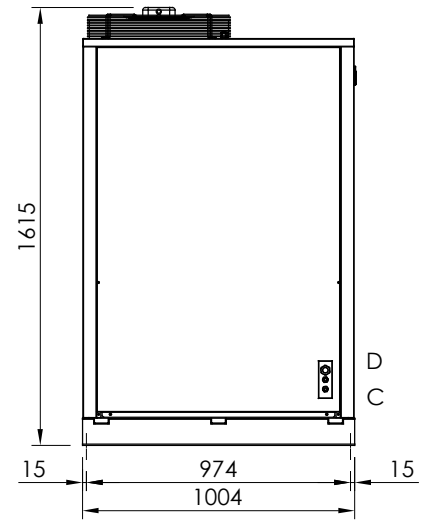
A = AIR INLET PIPE 4"
B = AIR OUTLET PIPE 4"
C = CONDENSATE DRAIN
D = POWER SUPPLY



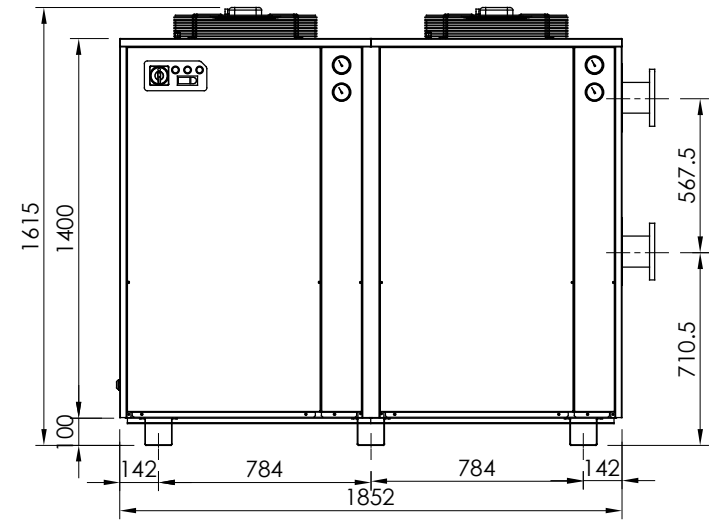
TOP VIEW



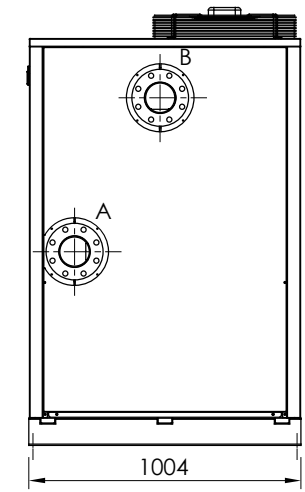
ISOMETRIC VIEW



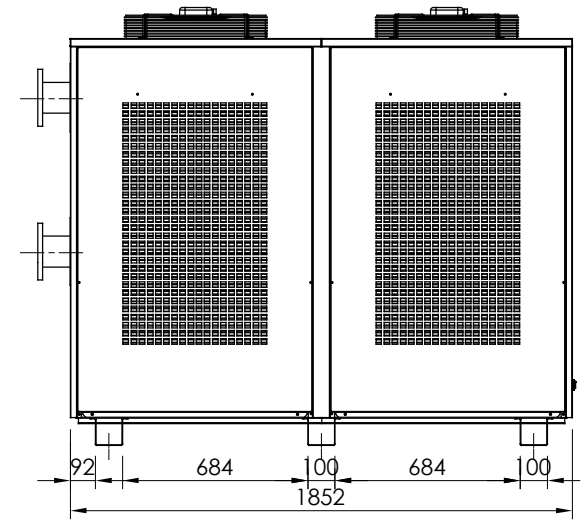
LEFT VIEW



FRONT VIEW



RIGHT VIEW



BACK VIEW

	THIRD-ANGLE PROJECTION -7070 6-173	MAT'L : - PAINTING : BLUE	Q'TY : - DATE : MAY 27, 2016	SCALE : 1:30
	TITLE / NAME : DIMENSIONAL DRAWING NDX 1750 - 2000			
	GEN. TOL. 1) DIM. 0 - 600 ±0.5 4) ANGLE ±1.0 2) DIM. 600 - 1500 ±1.0 3) DIM. 1500 UP ±2.0		DWG.No. NDX 1750-2000	REV. :

Drawing: NDXHR400-1-001.dwg