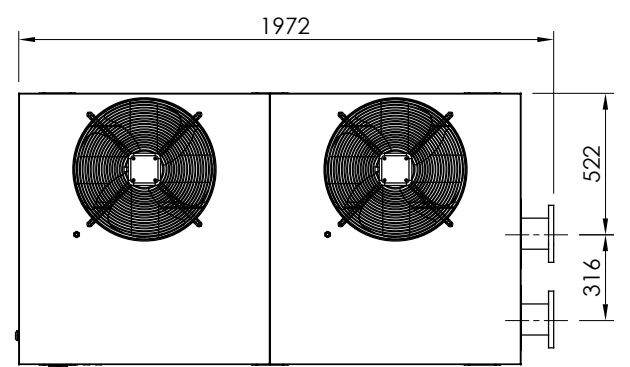
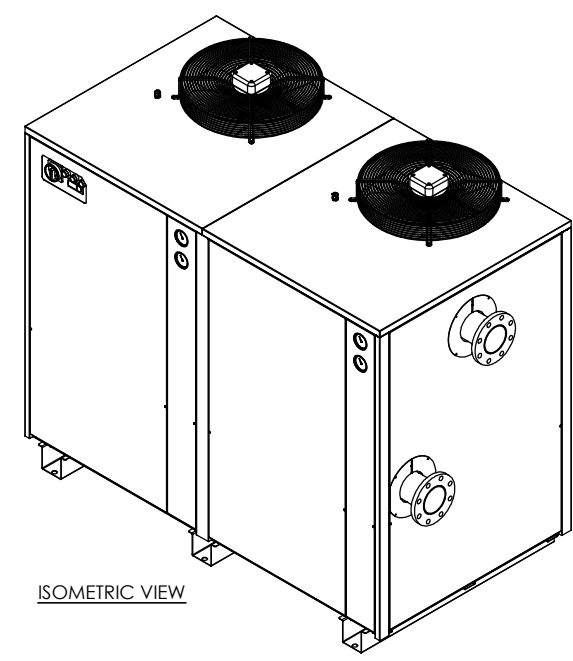


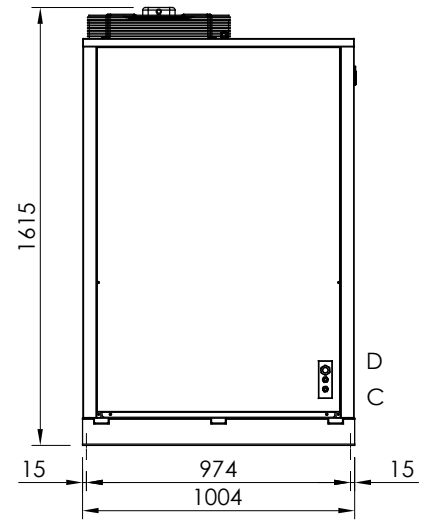
A = AIR INLET PIPE 6"  
 B = AIR OUTLET PIPE 6"  
 C = CONDENSATE DRAIN  
 D = POWER SUPPLY



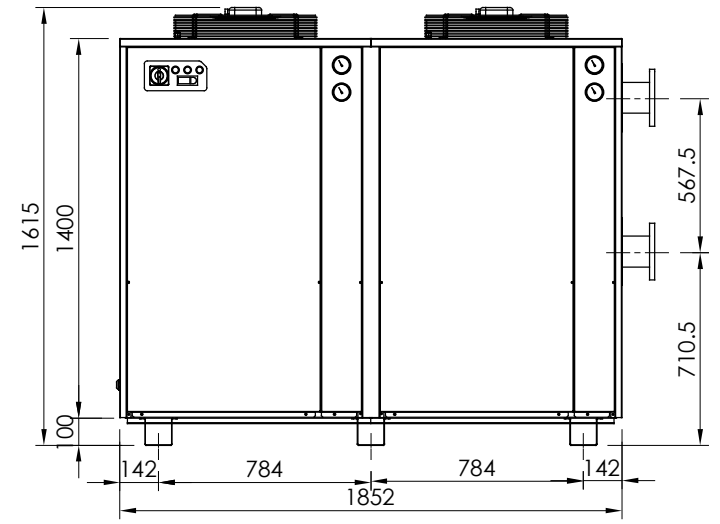
TOP VIEW



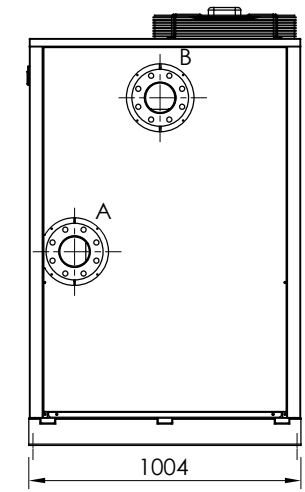
ISOMETRIC VIEW



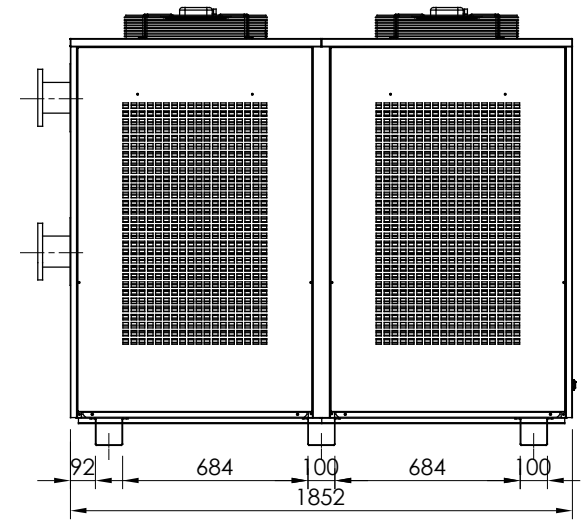
LEFT VIEW



FRONT VIEW



RIGHT VIEW



BACK VIEW

PRIOR  
**C**

Drawing NDXHR500-1-001.dwg

	THIRD-ANGLE PROJECTION	MAT'L : -	Q'TY : -	
		PAINTING : BLUE	DATE : MAY 27, 2016	SCALE : 1:30
	TITLE / NAME : DIMENSIONAL DRAWING NDX 2500			
GEN. TOL. 1) DIM. 0 - 600 ±0.5 4) ANGLE ±1.0 2) DIM. 600 - 1500 ±1.0 3) DIM. 1500 UP ±2.0		DWG.No. NDX 2200 - 2500	REV. :	SHEET :