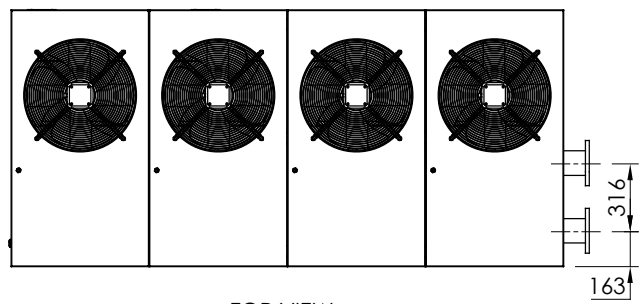
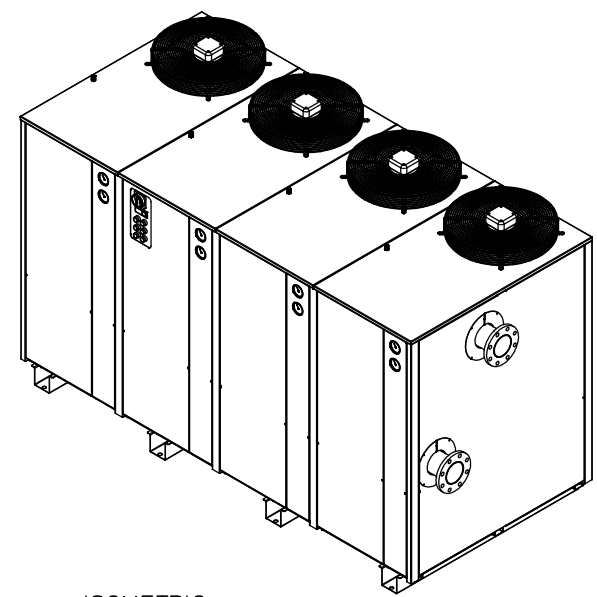


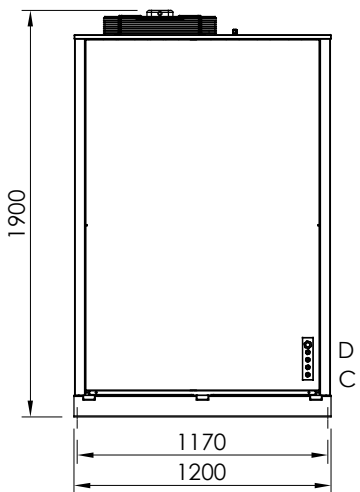
A = AIR INLET PIPE 8" - 10"  
 B = AIR OUTLET PIPE 8" - 10"  
 C = CONDENSATE DRAIN  
 D = POWER SUPPLY  
 NDX 3500 - 8"  
 NDX 4750 - 10"



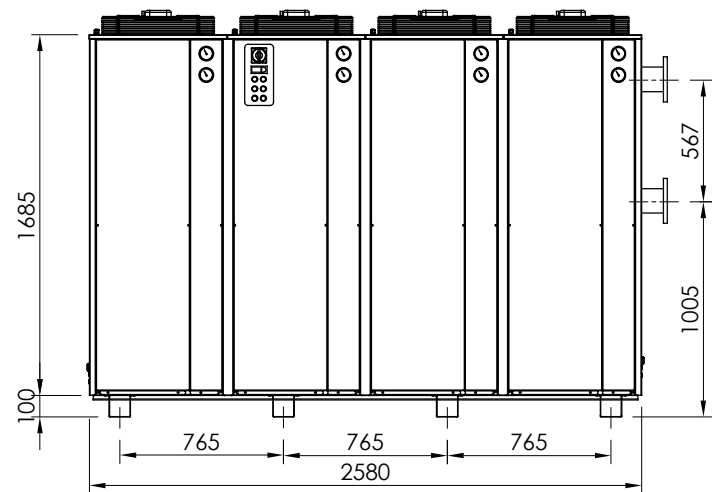
TOP VIEW



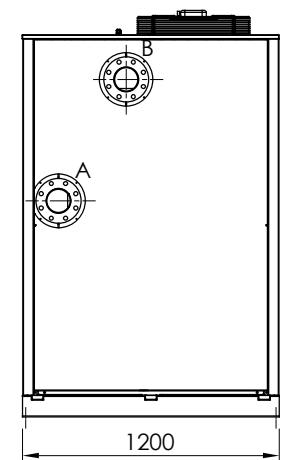
ISOMETRIC VIEW



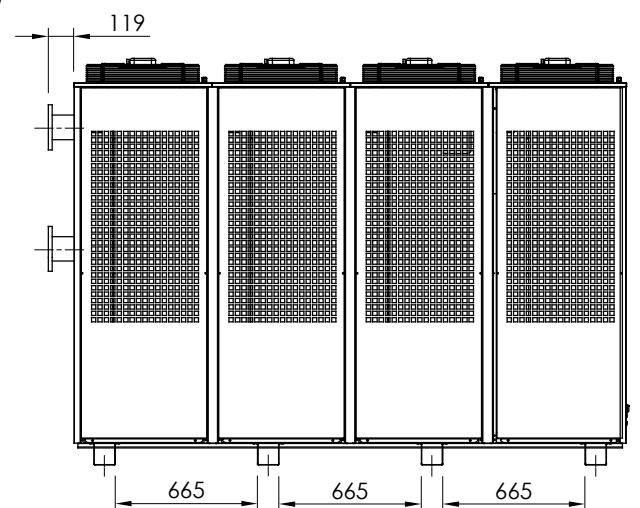
LEFT VIEW



FRONT VIEW



RIGHT VIEW



BACK VIEW

Drawing NDXHR800-1-001.dwg



THIRD-ANGLE PROJECTION 	MAT'L :	Q'TY :	
	PAINTING : BLUE	DATE : JUN 1, 2016	SCALE : 1:38
TITLE / NAME : DIMENSIONAL DRAWING NDX 3500 - 4750			
DWG.No. NDX 3500 - 4750		REV. :	SHEET :

GEN. TOL. 1) DIM. 0 - 600 ±0.5 4) ANGLE ±1.0  
 2) DIM. 600 - 1500 ±1.0  
 3) DIM. 1500 UP ±2.0