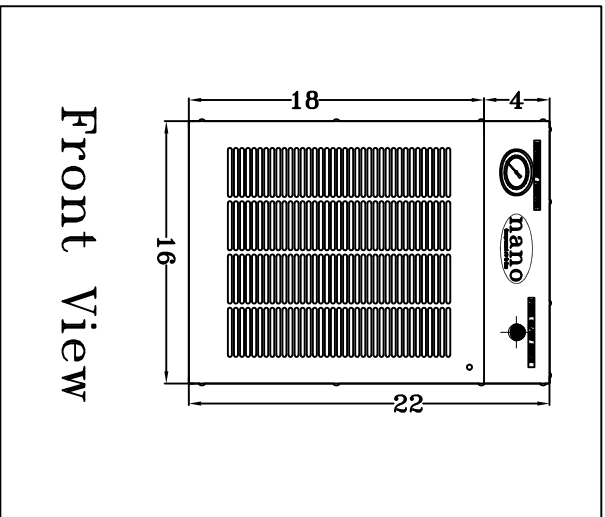
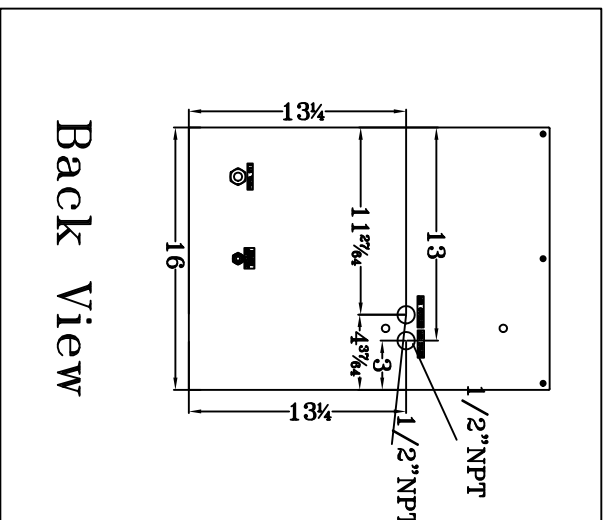


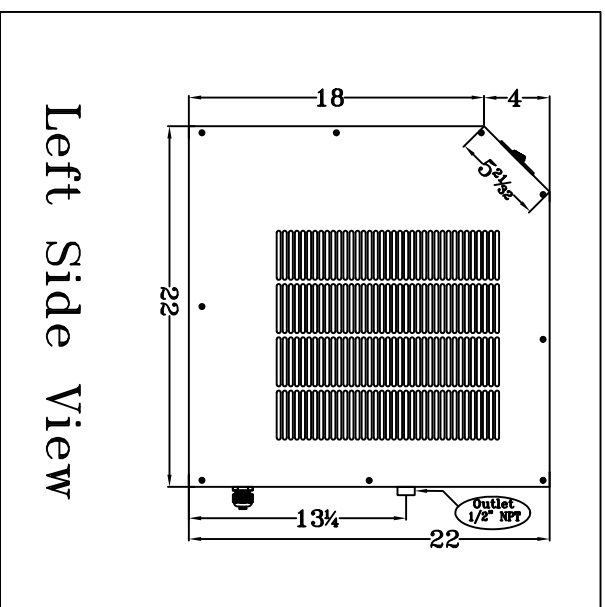
Top View



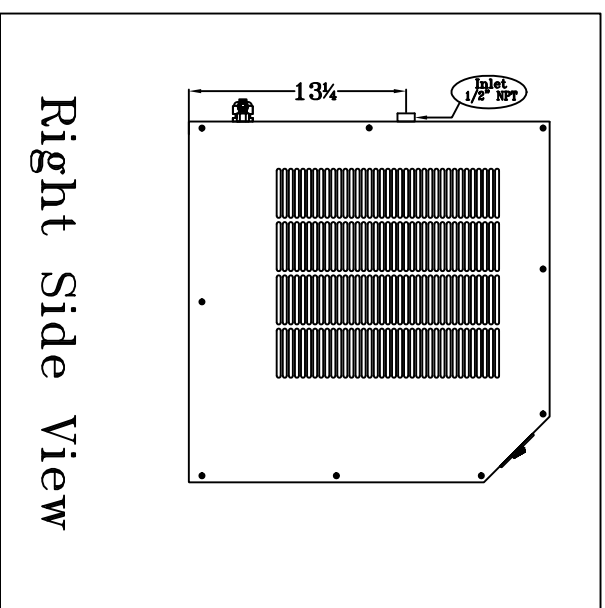
Front View



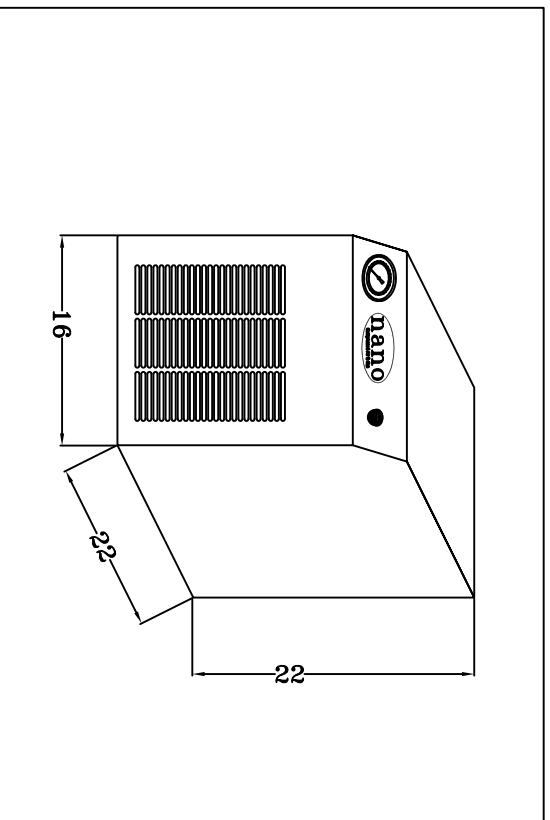
Back View



Left Side View



Right Side View



FINISH:		<input type="checkbox"/> 148 UNLESS NOTED		<input type="checkbox"/> AS CAST UNLESS NOTED	
MATERIAL SPEC					
HEAT TREAT					
TORQUE SPEC					
HARDNESS					
FINISH SPEC		SEE NOTE			
PROD CODE		X01Q		DATE	
DRAWN BY		SA		09-13-17	
SIZE		C		DWG No	
GAGE CODE		31654		NRD-30-100	
SCALE		NONE		REV	
WEIGHT				00	
SHEET		1		of 1	

THIRD ANGLE PROJECTION DO NOT SCALE DRAWING

ND4X 30 - ND4X 100

