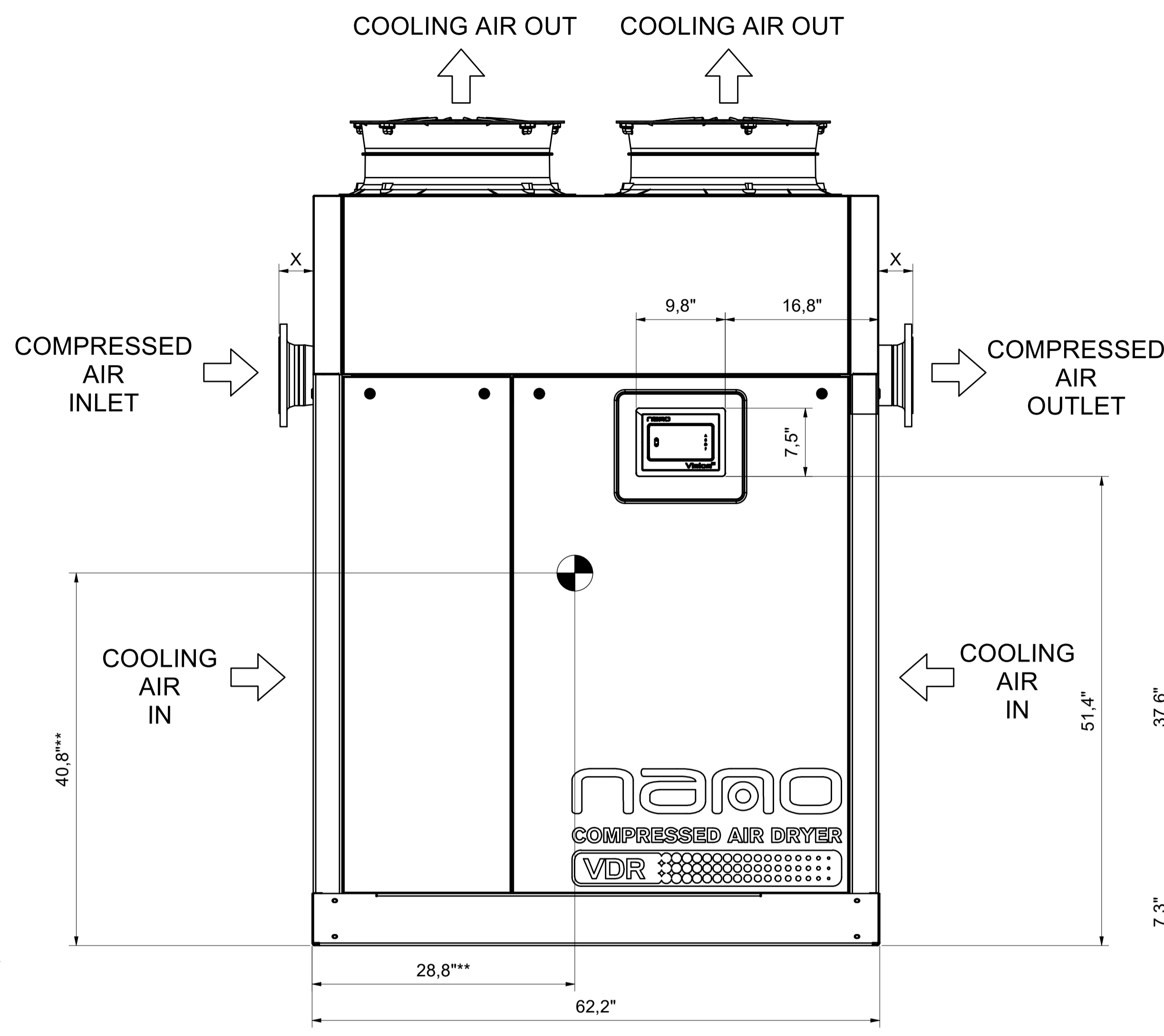


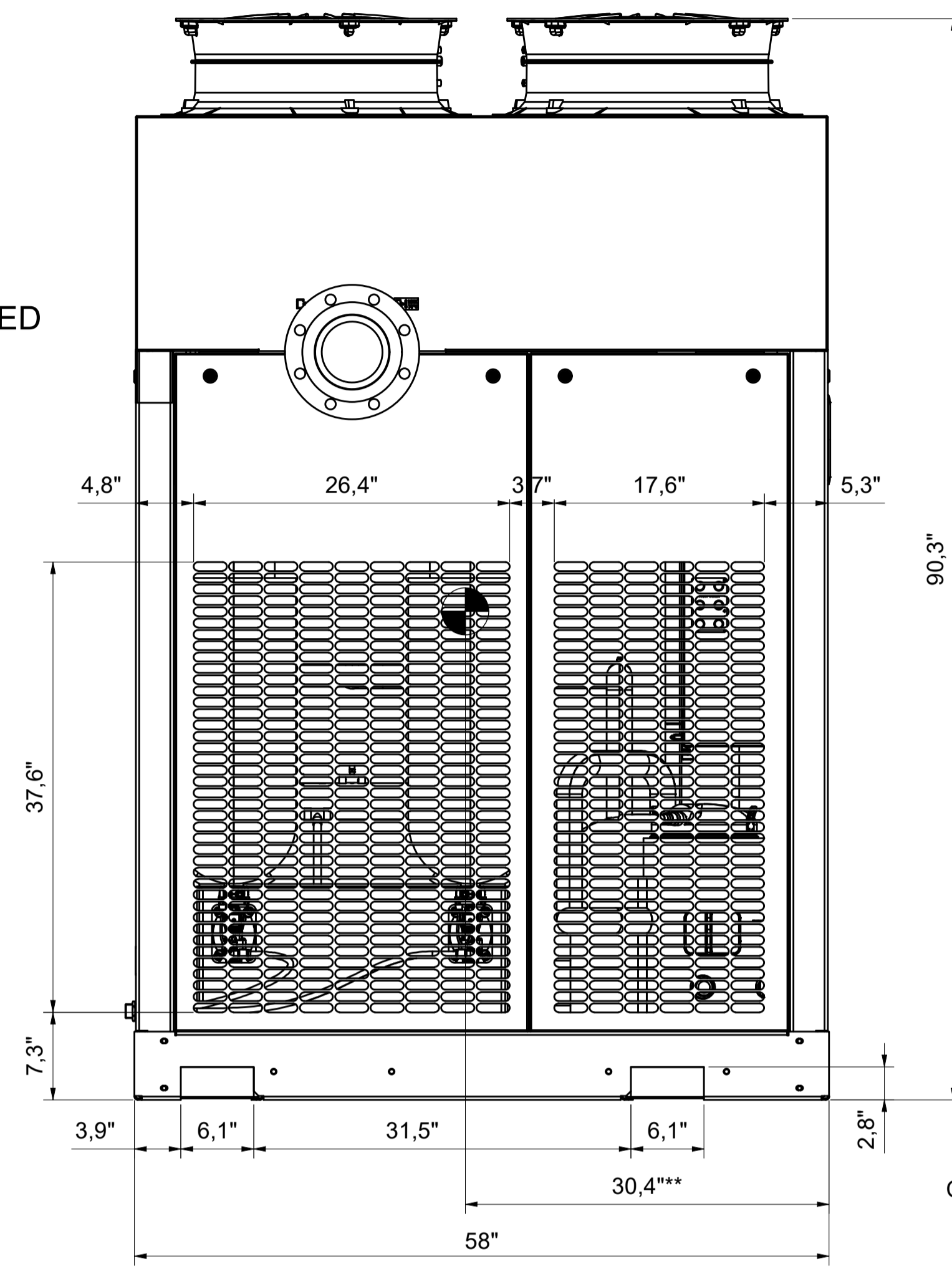
All materials supplied are in compliance with the requirements of the List of Prohibited Substances

VDR 2600-5050
AIRCOOLED

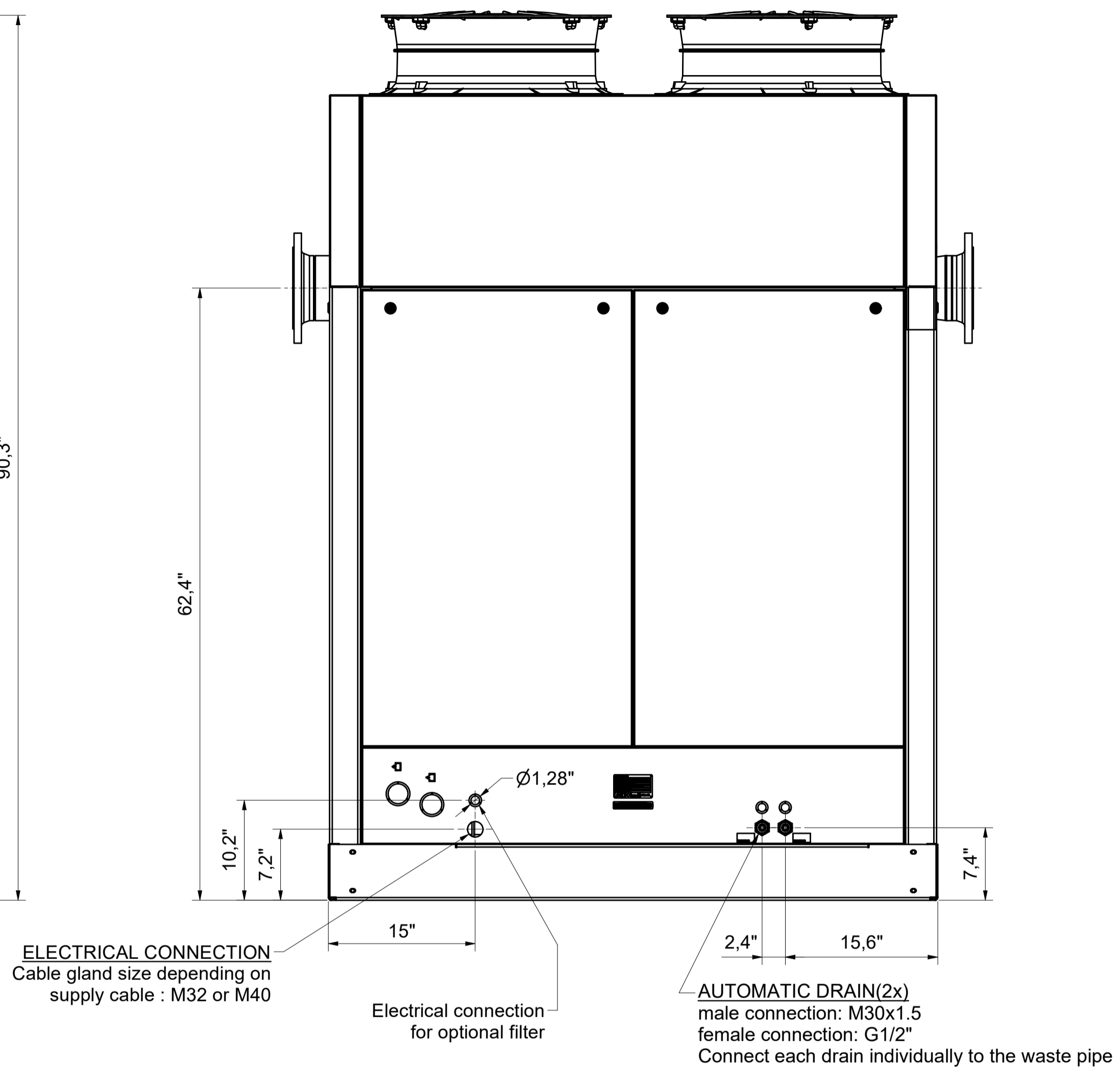
FRONT VIEW



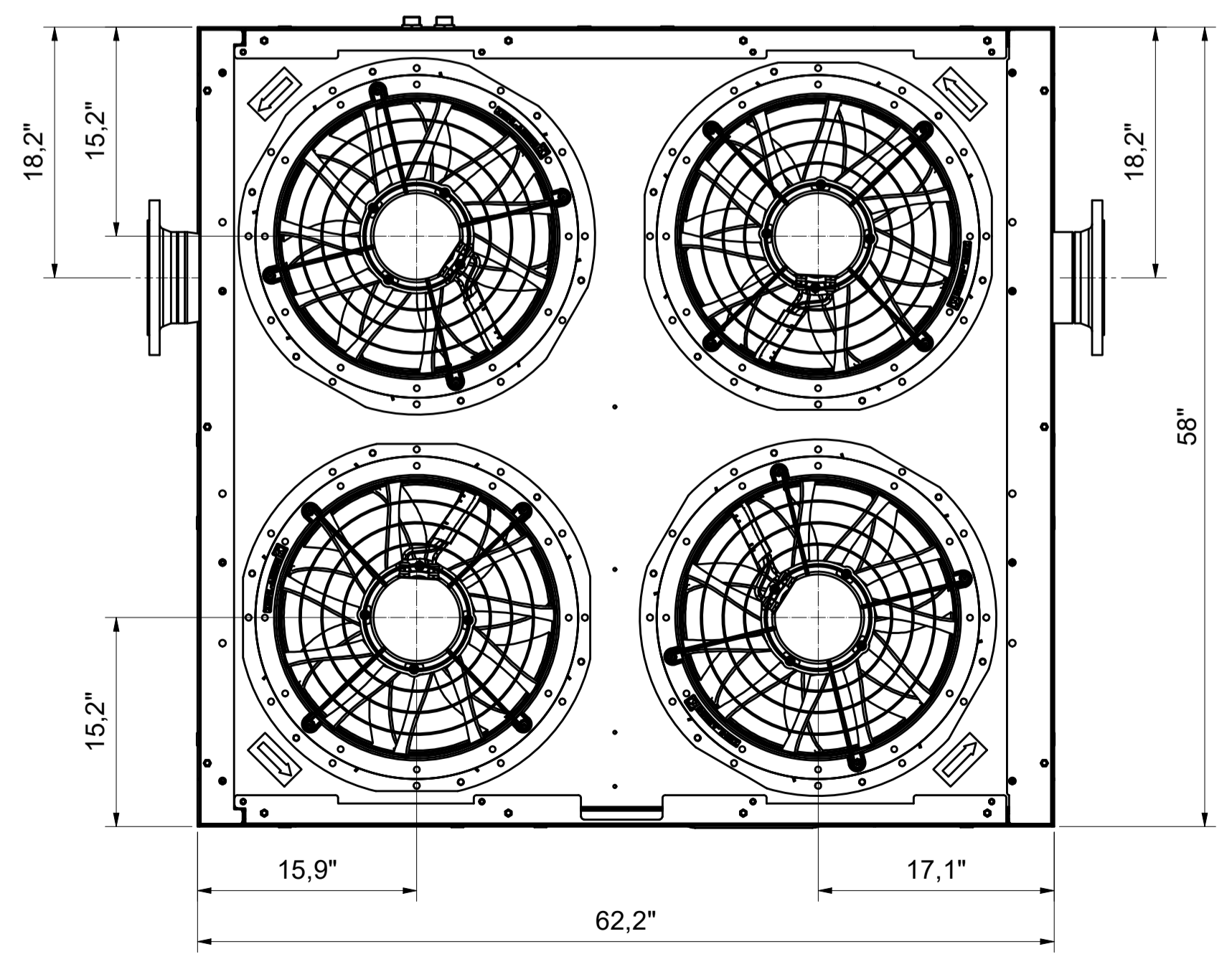
SIDE VIEW



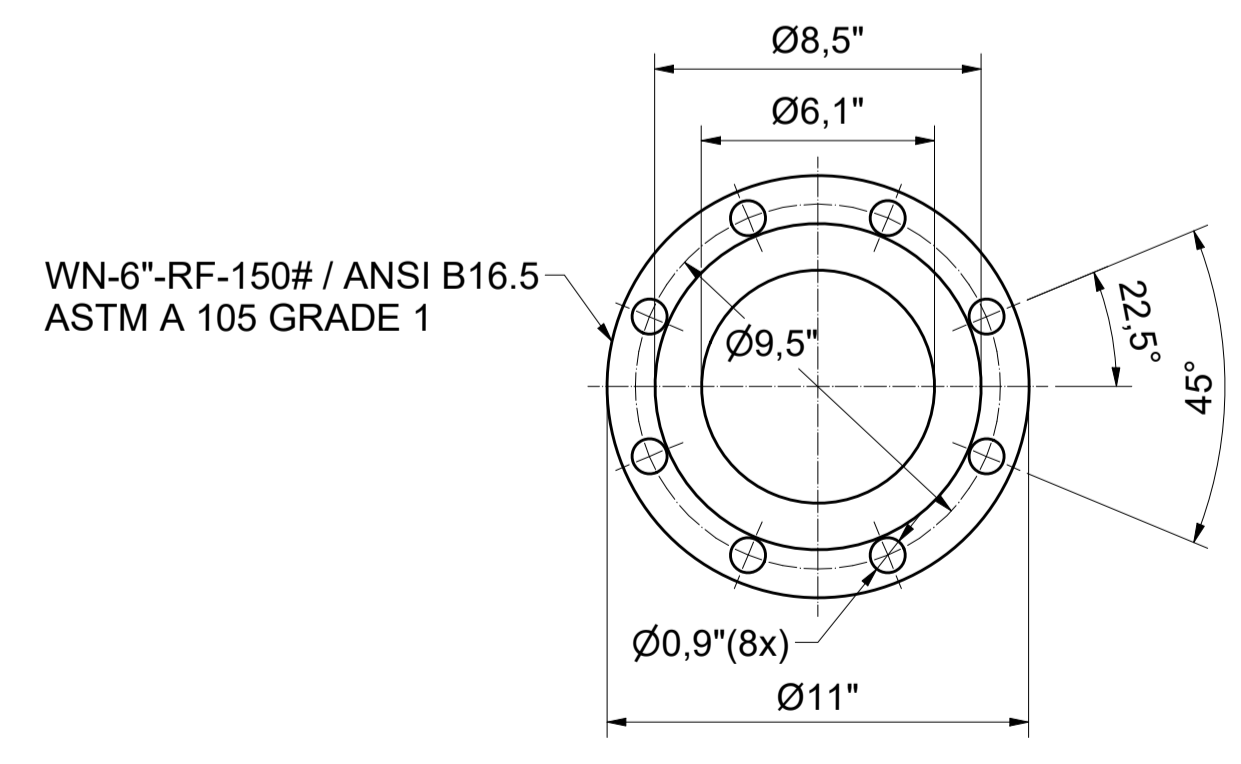
REAR VIEW



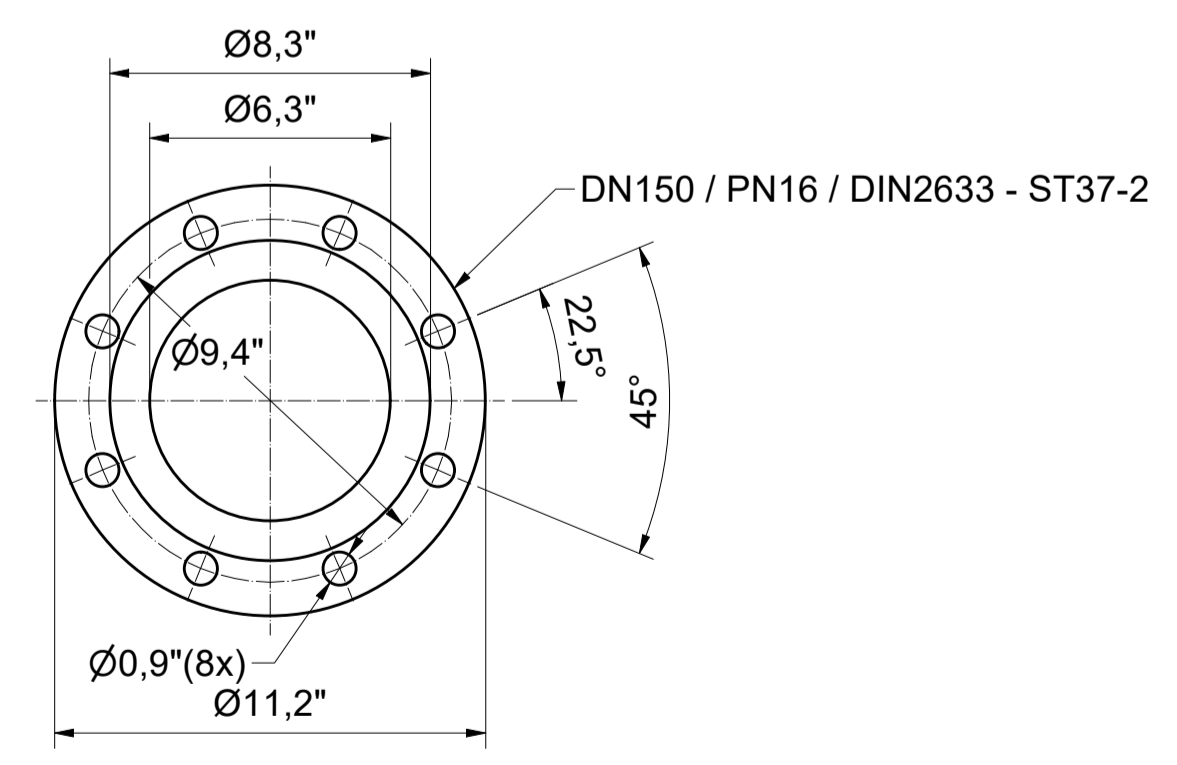
TOP VIEW



ANSI FLANGE (Zinc Plated)
(1 : 5)



DIN FLANGE (Zinc Plated)
(1 : 5)



**CENTER OF GRAVITY (APPROXIMATELY)

Dryer Type / Ambient Version	Weight	X DIN FLANGE	X ANSI FLANGE	Fans
VDR2600 / 114°F	1940 lbs	3.62"	4.96"	4
VDR3150 / 114°F	2061 lbs	3.62"	4.96"	4
VDR3700 / 114°F	2172 lbs	3.62"	4.96"	4
VDR4200 / 114°F	2183 lbs	3.62"	4.96"	4
VDR5050 / 104°F	2183 lbs	3.62"	4.96"	4

Tolerances, if not indicated, according to: STANDARD CLASS

Name: **DIMENS. DRWG** VDR 2600-5050 Confidentiality Class: acc. to 1102 K

Material: **Not applicable** Internal

Treatment: **Not Applicable** INV

Scale: 1 : 10 Family: A1 Compare

Drawn by: INEMSI Blank nr. Replaces: APF

Version Drwg: 0 Designation

STATUS: **Released** Des checked. Blank wt. Kg/Finl wt. Date: 13/12/2021

1839007680-M1 1

Parent 3D model Ed - Version 3D

Sheet 1 / 3

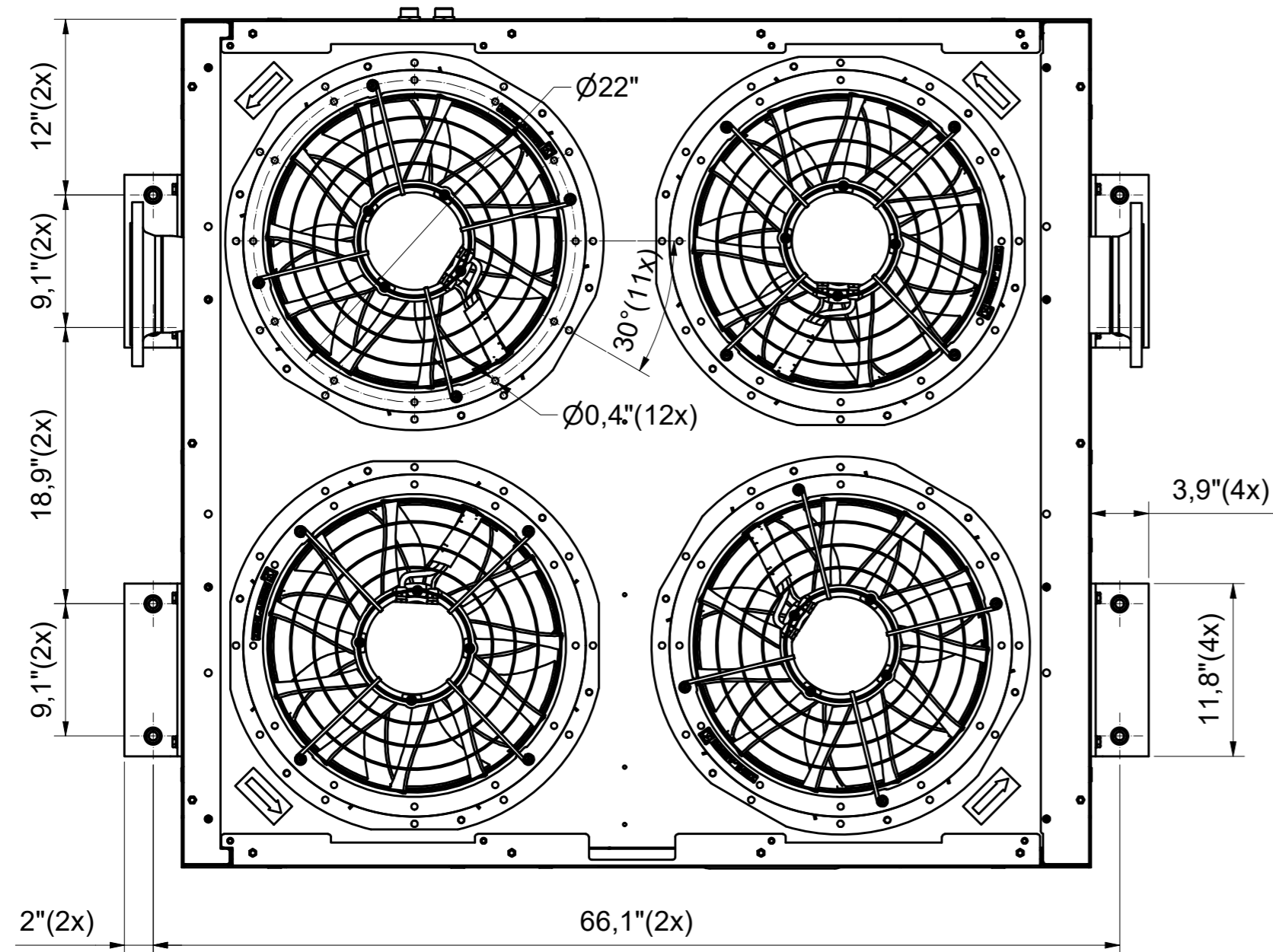
1839007680-02

Ed	Position	Modified from	Date	Intr./Appd.	User Agent
1			25/02/2022		User Agent

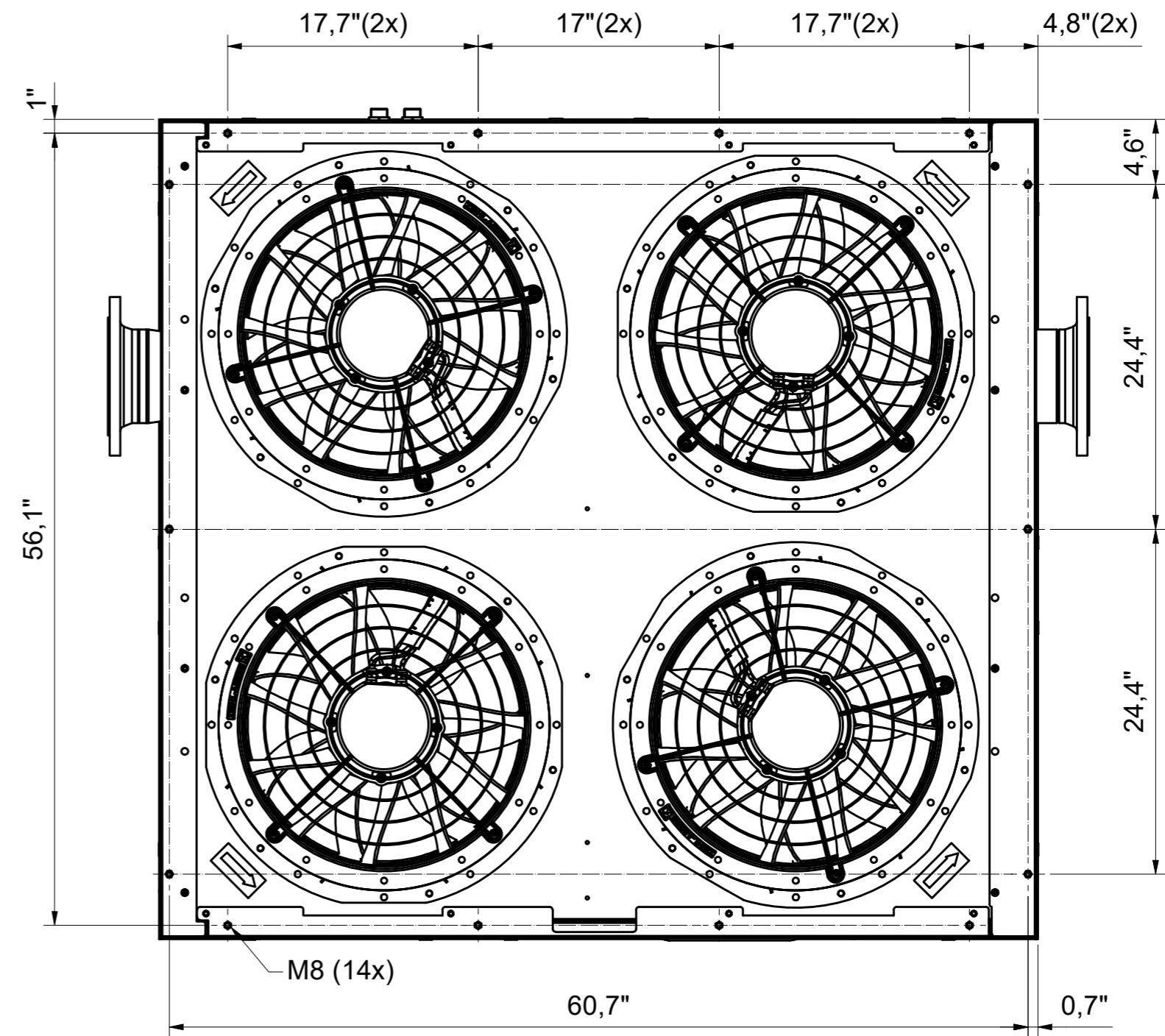
CONFIDENTIAL: This document is our property and shall not be used without our prior permission. No part of this document may be reproduced, stored in a retrieval system, or transmitted in any form or by any means, electronic, mechanical, photocopying, recording, or by any information storage and retrieval system, without the prior written permission of the company.

All materials supplied are in compliance with the requirements of the List of Prohibited Substances

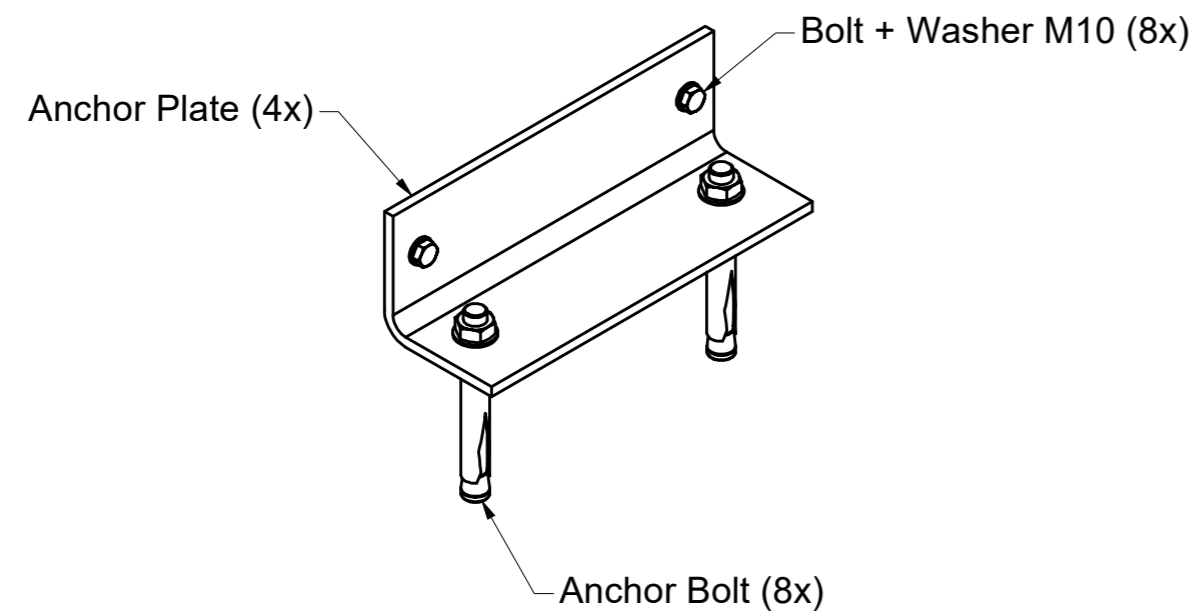
ANCHOR PADS



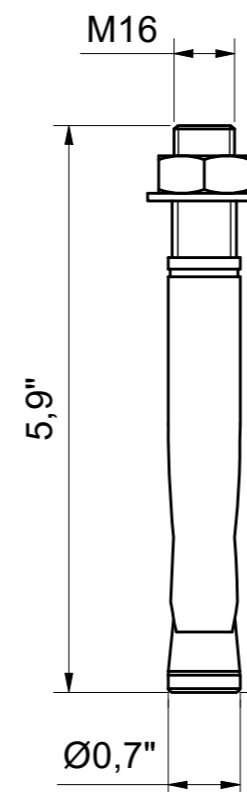
DUCTING CONNECTIONS



ANCHOR KIT (1 : 5)



ANCHOR BOLT (1 : 2)



CONFIDENTIAL:
This document is our property and shall not be distributed, copied, used for manufacturing or communicated to any other person or company.

1			25/02/2022	User Agent
Ed	Position	Modified from	Date	Intr./Appd.

1839007680-M1	1
Parent 3D model	Ed. Version 3D

Tolerances, if not indicated, according to:									
STANDARD CLASS									
Name		DIMENS. DRWG			VDR 2600-5050			Confidentiality Class	
Material		Not applicable			Internal			acc. to 1102 K	
Treatment		Not Applicable			INV			Internal	
Scale		1 : 10			Family		A2 Compare		
Drawn by		INEMSI			Blank nr.		Replaces		
Version Drwg		Blank wt		Kg		Fini wt.		0	
STATUS		Des checked.		Prod checked.		Approved.		Date	
Released						13/12/2021		Designation	
								Sheet 3 / 3	
1839007680-02									

A
B
C
D
E
F
G