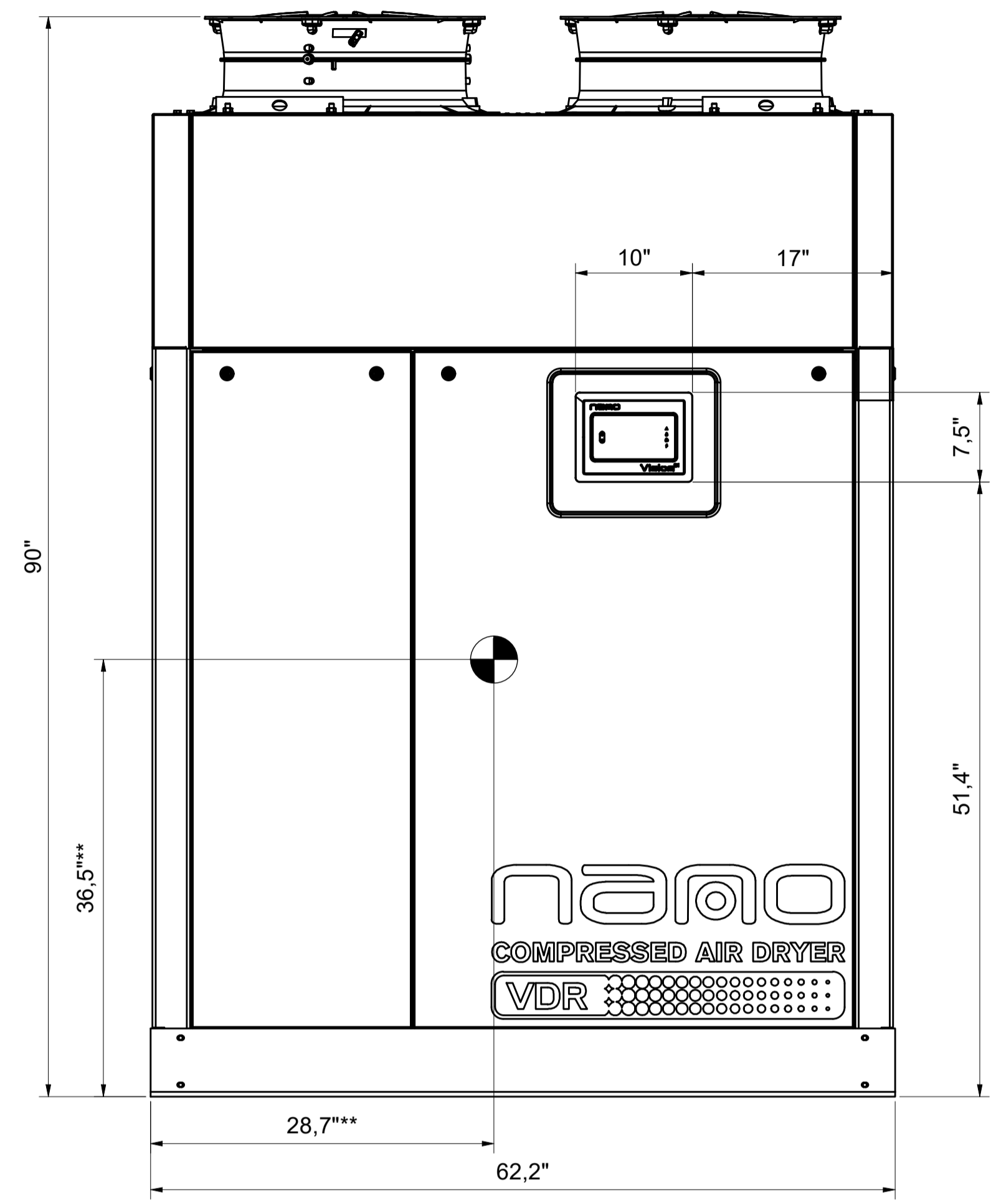


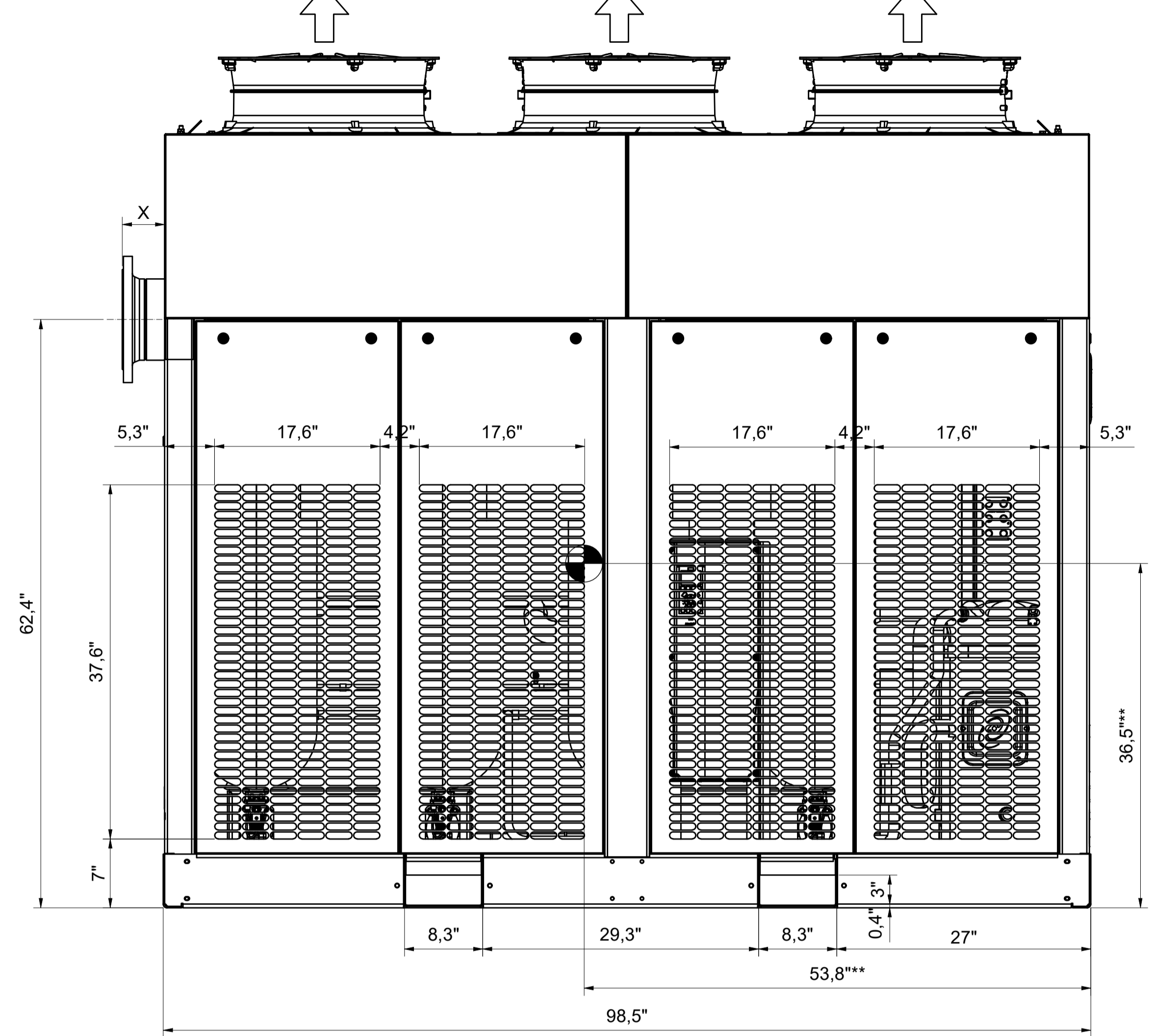
All materials supplied are in compliance with the requirements of the List of Prohibited Substances

VDR6350 / VDR8450
AIRCOOLED
SIDE VIEW

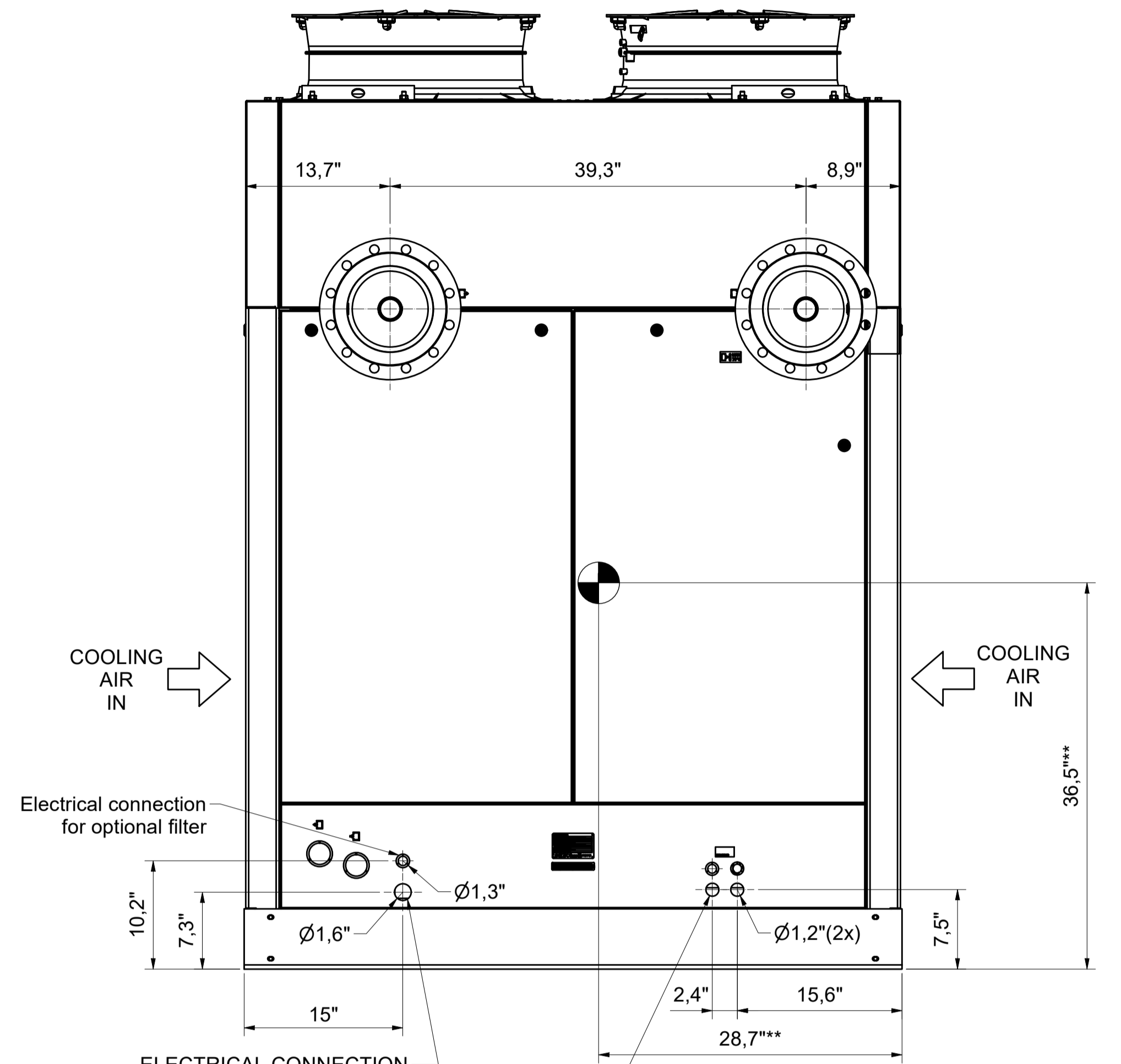
FRONT VIEW



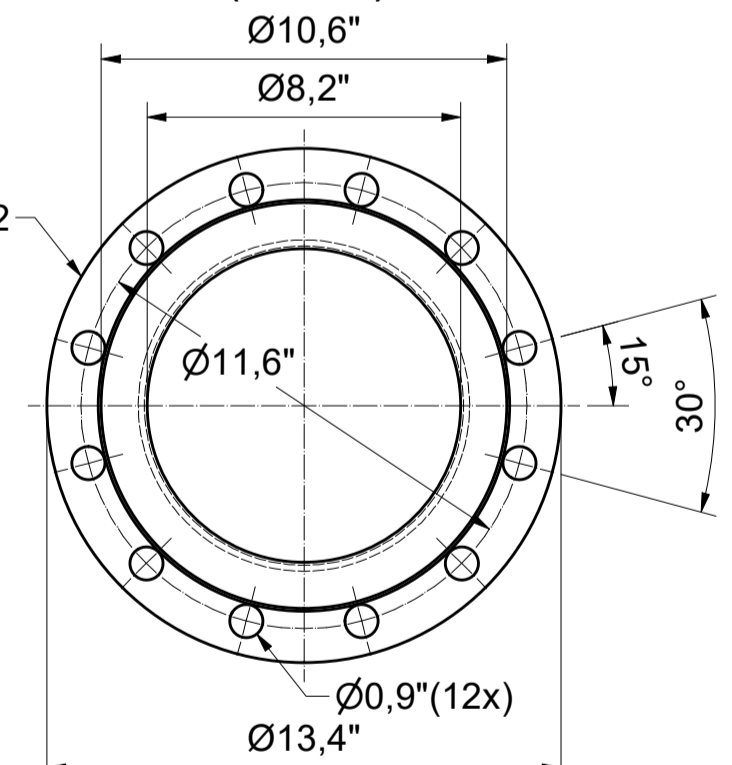
COOLING AIR OUT COOLING AIR OUT COOLING AIR OUT



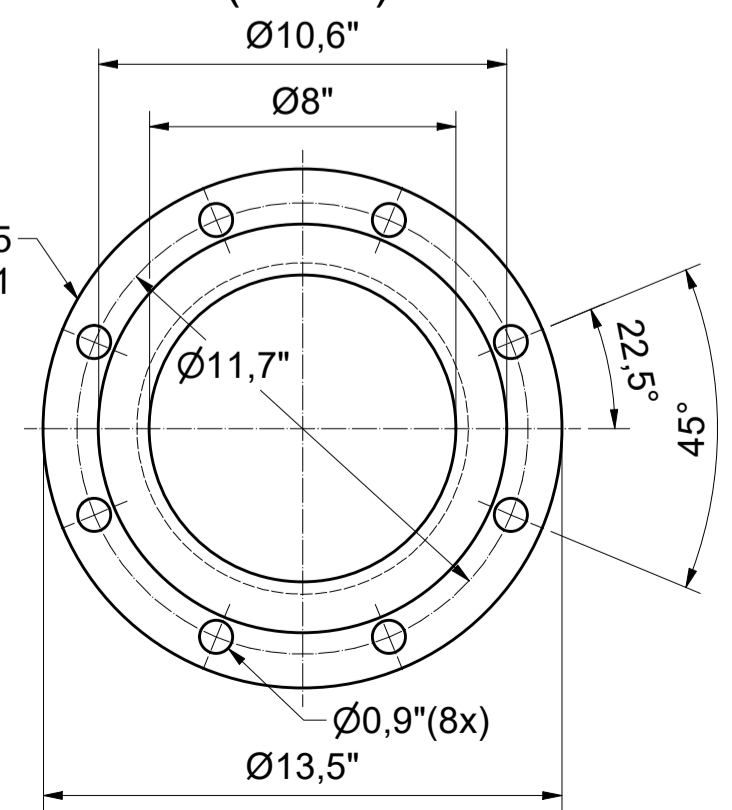
REAR VIEW



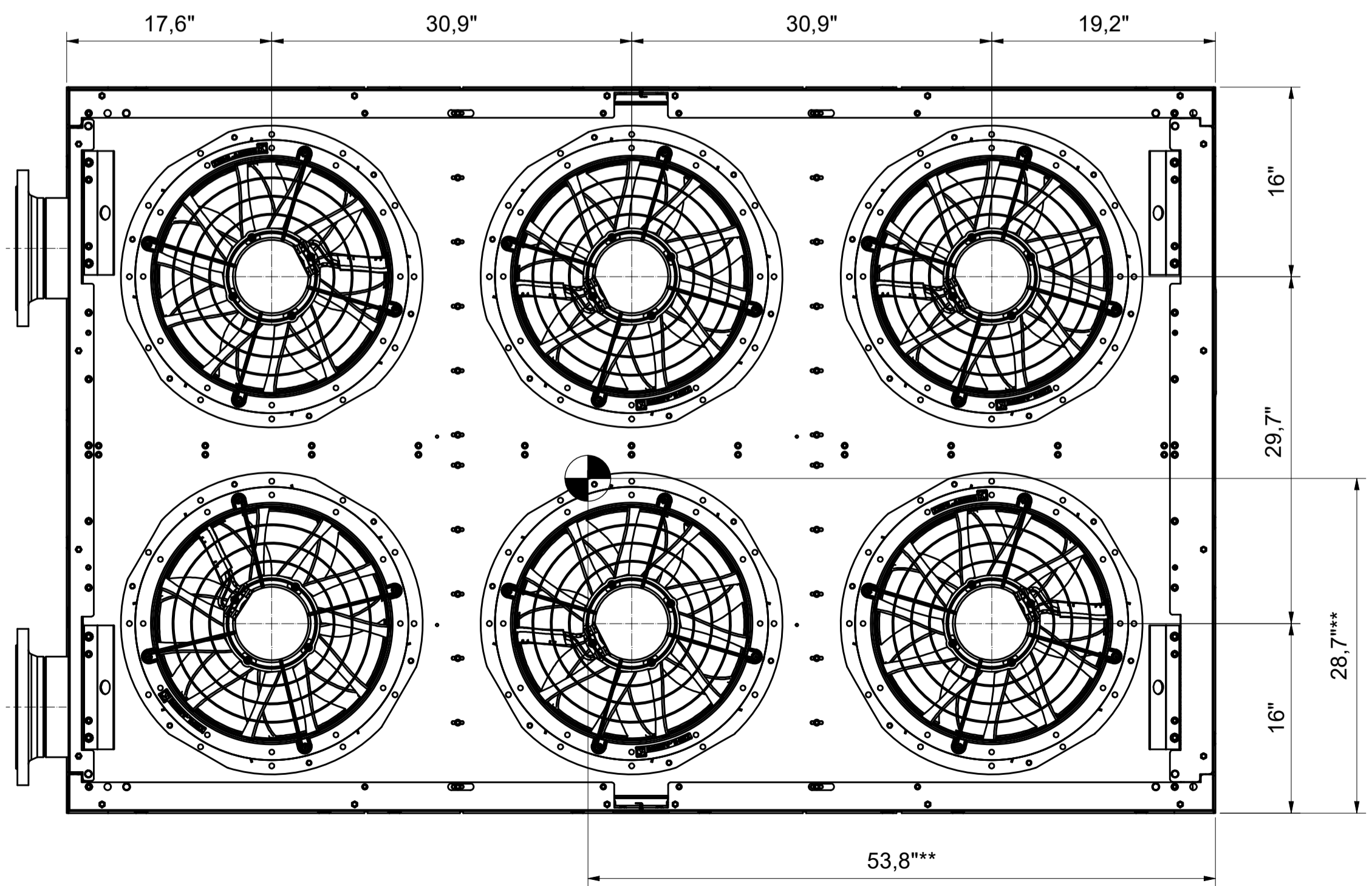
DIN FLANGE (zinc plated)
(1 : 5)



ANSI FLANGE (zinc plated)
(1 : 5)



TOP VIEW



COMPRESSED AIR OUTLET

COMPRESSED AIR INLET

**CENTER OF GRAVITY (APPROXIMATELY)

Dryer Type / Ambient Version	Weight	X DIN FLANGE	X ANSI FLANGE
VDR6350 / 104°F	3726 lbs	4,5"	6"
VDR8450 / 104°F	4012 lbs	4,5"	6"

Tolerances, if not indicated, according to:			
STANDARD CLASS			
Name	DIMENS. DRWG	VDR6350 / VDR8450	Confidentiality Class acc. to 1102 K
Material	Not Applicable		Internal
Treatment	Not Applicable		INV
Scale	1 : 10	Family	A1 Compare
Drawn by	INEMSI	Blank nr.	Replaces
Version Drwg	Blank wt	Kg/Fini wt.	7451 lbs
STATUS	Des checked.	Prod checked.	Approved.
1839007671-M1	1	Date	12/11/2021
Parent 3D model	Ed - Version 3D	Released	1839007671-02

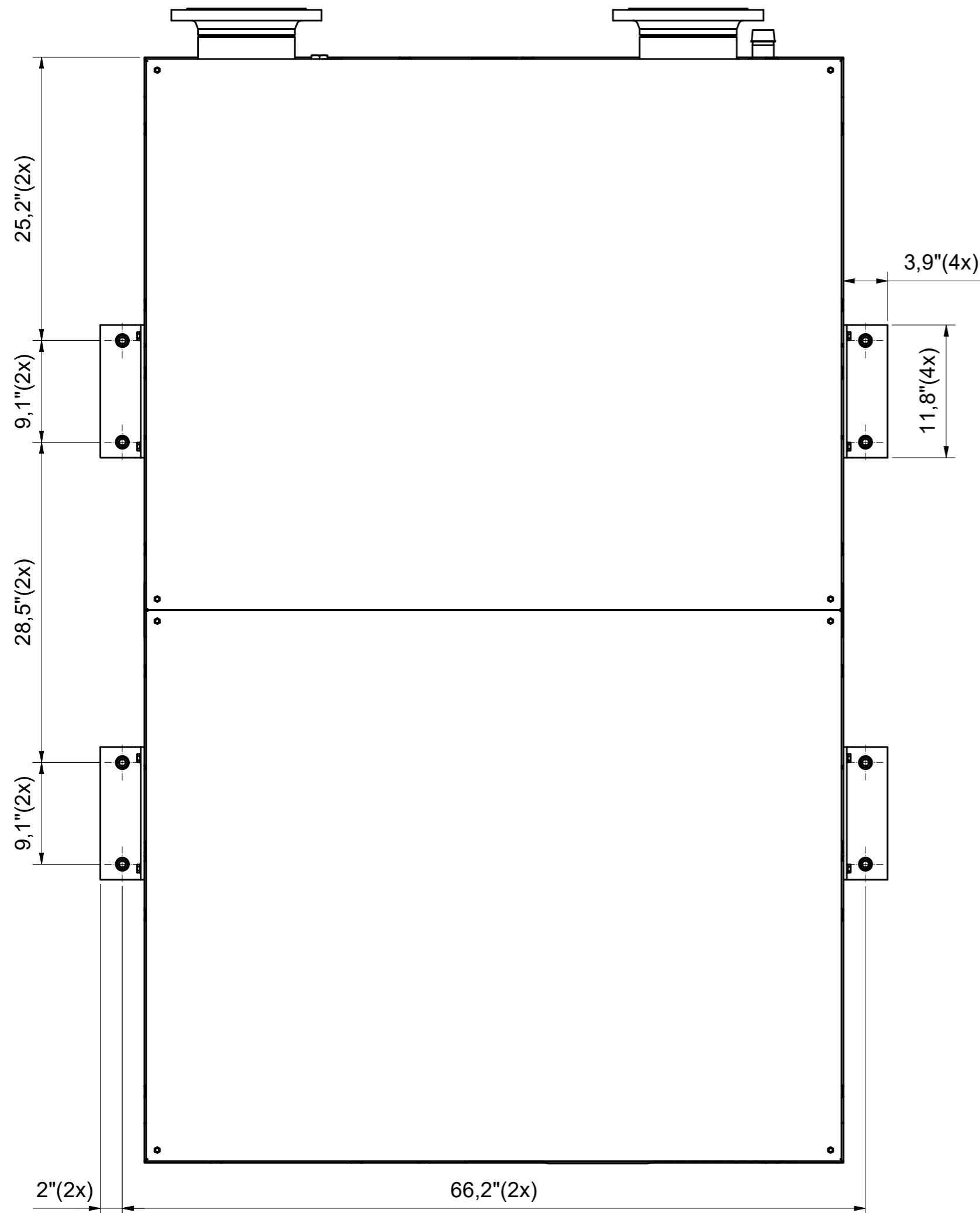
CONFIDENTIAL: This document is our property and shall not be used without our prior permission. Its use is limited to manufacturing or commercialization by our client or partner or company.

Ed	Position	Modified from	Date	User Agent
1			25/02/2022	

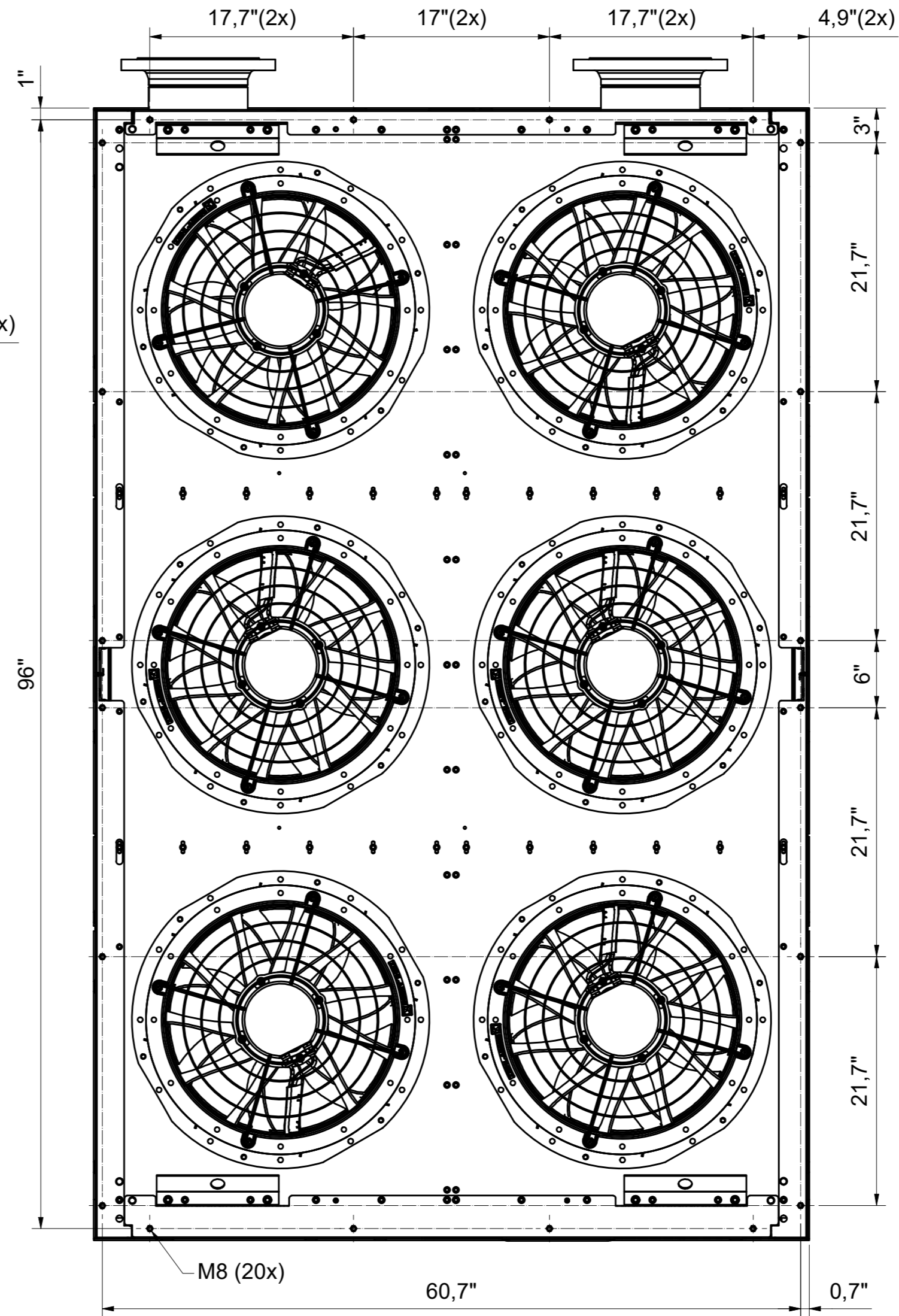
All materials supplied are in compliance with the requirements of the List of Prohibited Substances

CONFIDENTIAL: This document is our property and shall not without our permission be altered, copied, used for manufacturing or communicated to any other person or company.

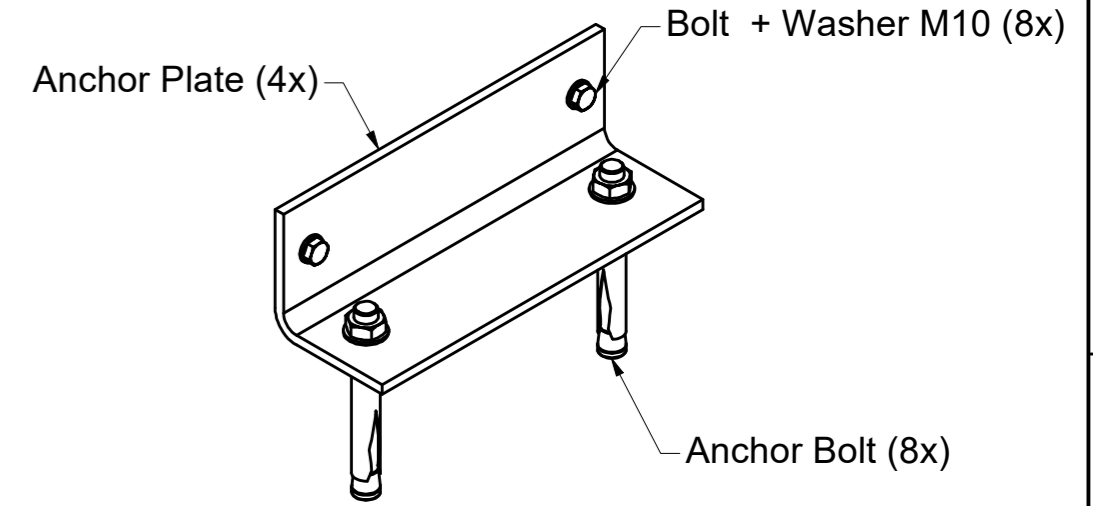
ANCHOR PADS



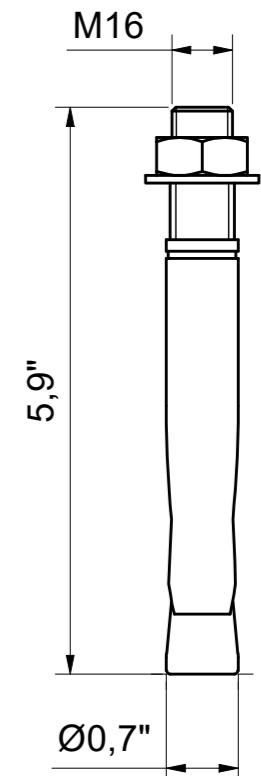
DUCTING CONNECTIONS



ANCHOR KIT (1:5)



ANCHOR BOLT (1:2)



1			25/02/2022	User Agent
Ed	Position	Modified from	Date	Intr./Appd.

1839007671-M1	1
Parent 3D model	Ed. Version 3D

Tolerances, if not indicated, according to:									
STANDARD CLASS									
Name DIMENS. DRWG					VDR6350 / VDR8450				
Material Not Applicable					Confidentiality Class acc. to 1102 K Internal				
Treatment Not Applicable					INV				
Scale 1:10			Family			A2 Compare			Drawing owner
Drawn by INEMSI			Blank nr.			Replaces			APF
Version Drwg		Blank wt		Kg		Fini wt.		Designation	
Des checked.		Prod checked.		Approved.		Date		Sheet 3 / 3	
Released						12/11/2021		1839007671-02	