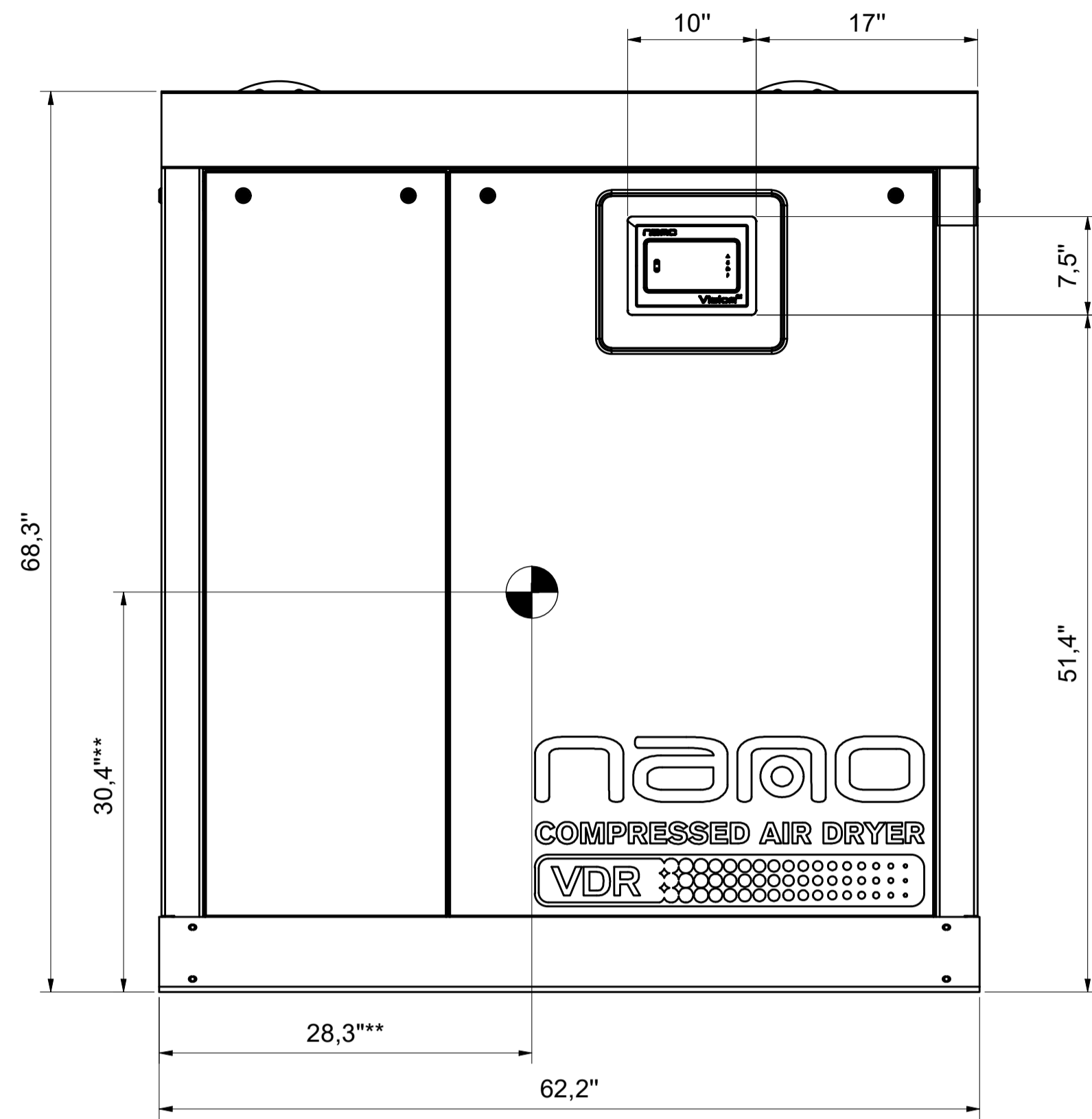


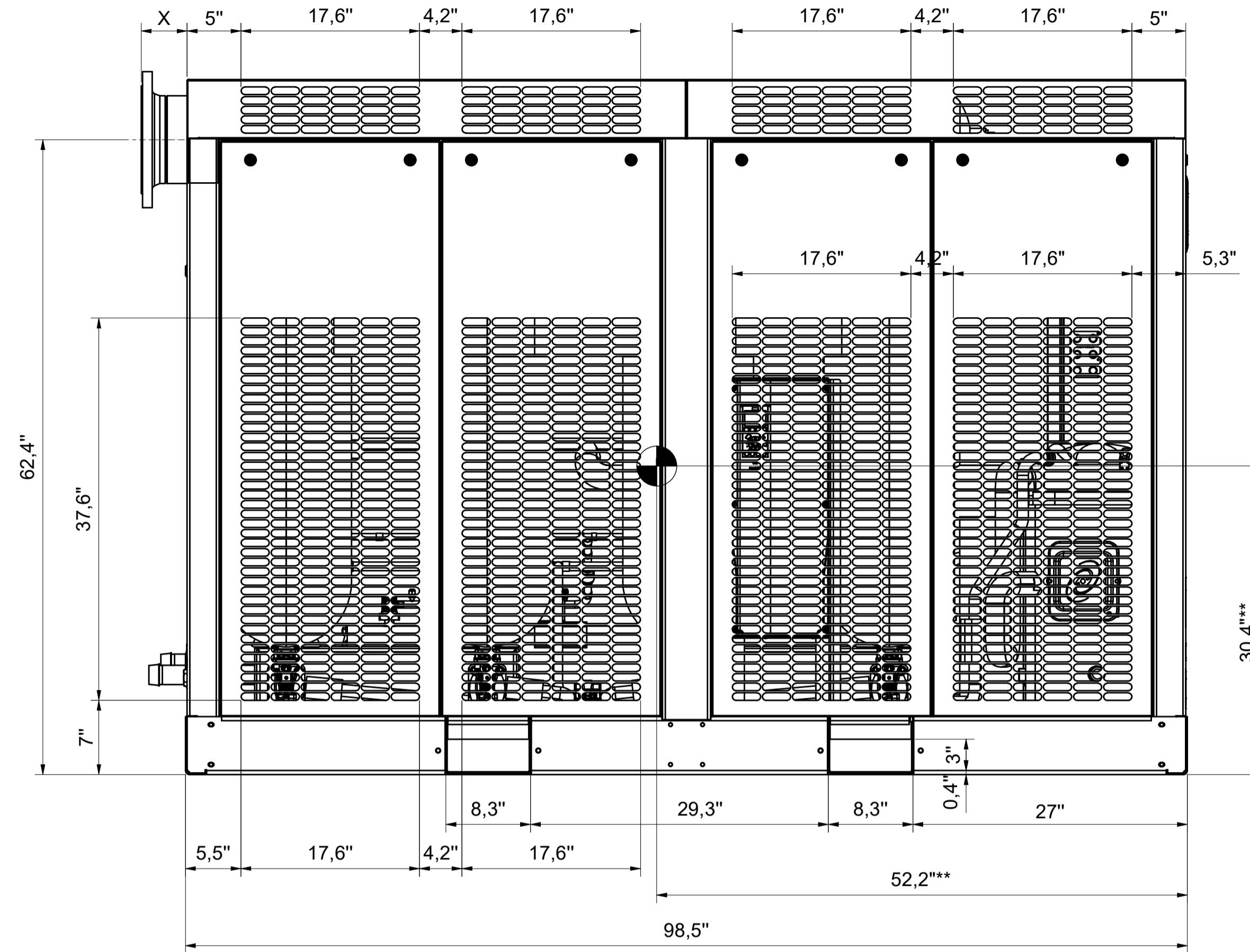
All materials supplied are in compliance with the requirements of the List of Prohibited Substances

VDR6350 / VDR8450
WATERCOOLED

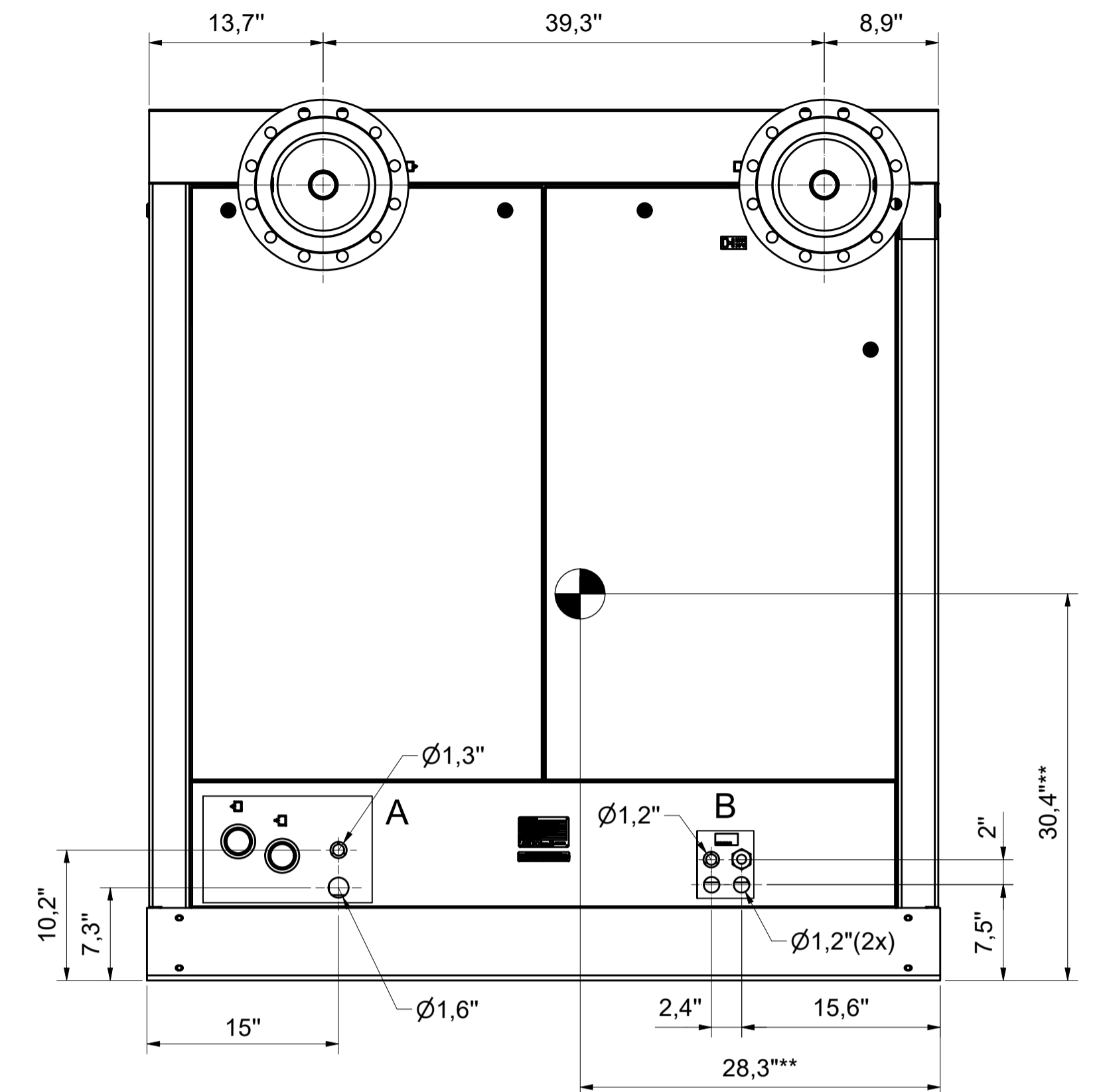
FRONT VIEW



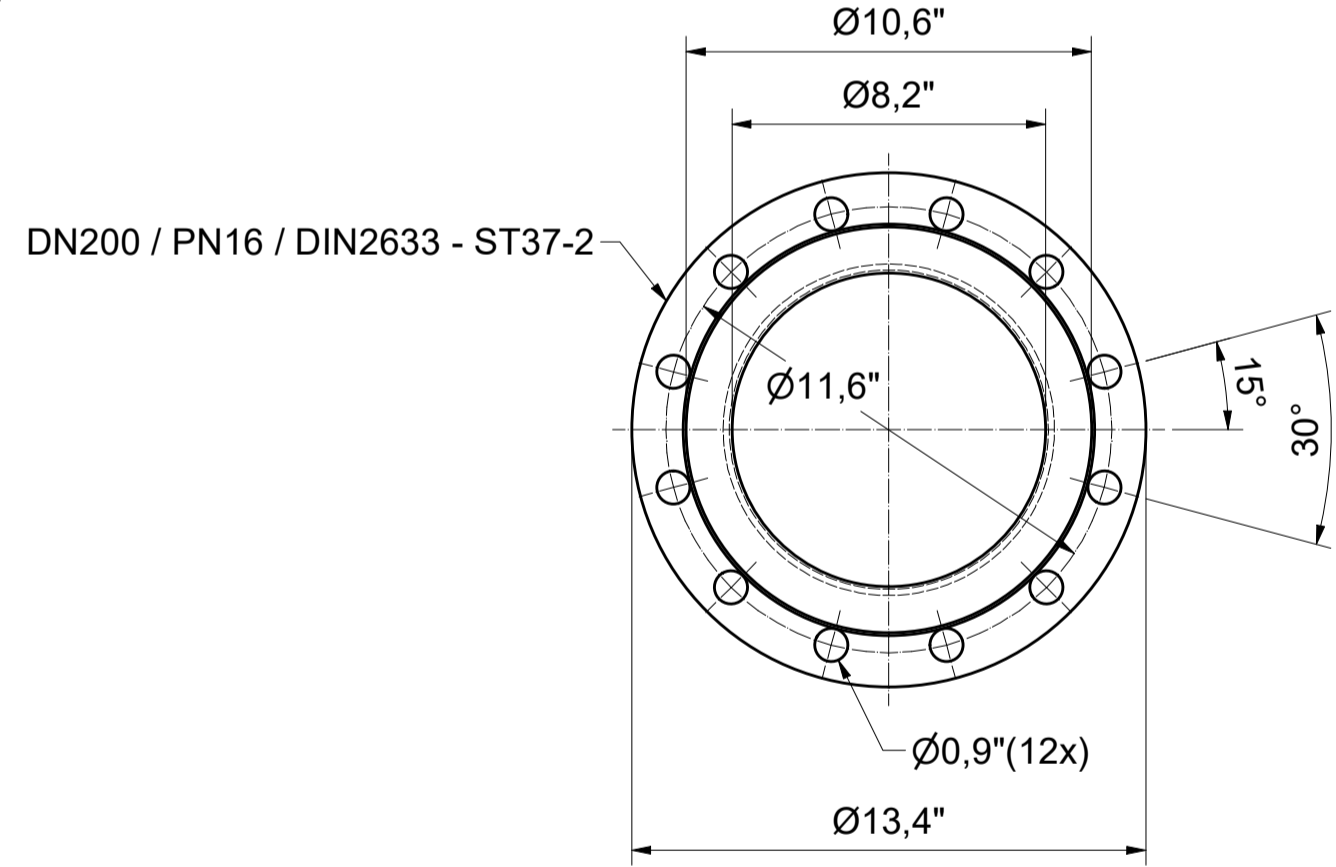
SIDE VIEW



REAR VIEW

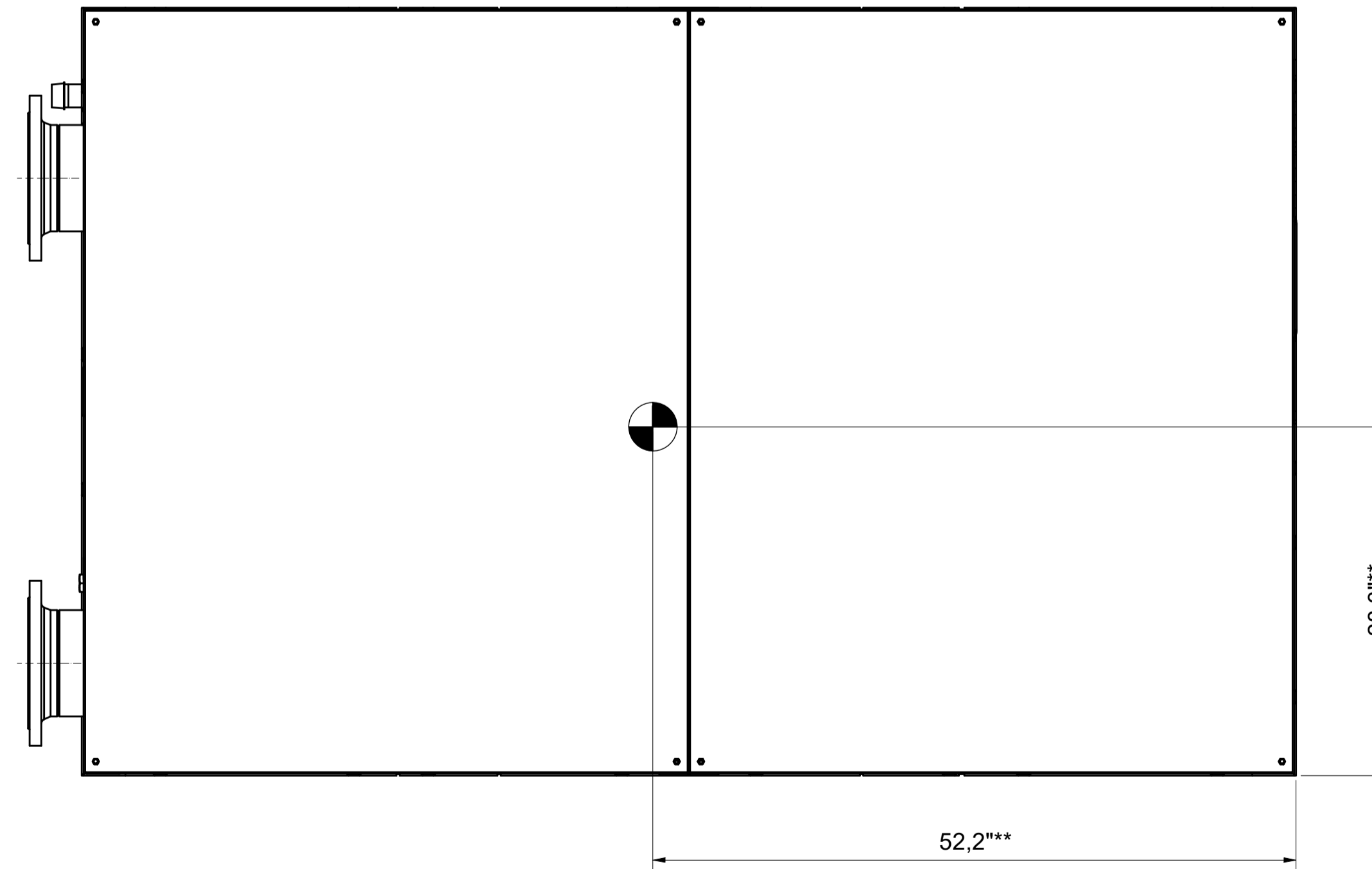


DIN FLANGE (zinc plated)
(1 : 5)



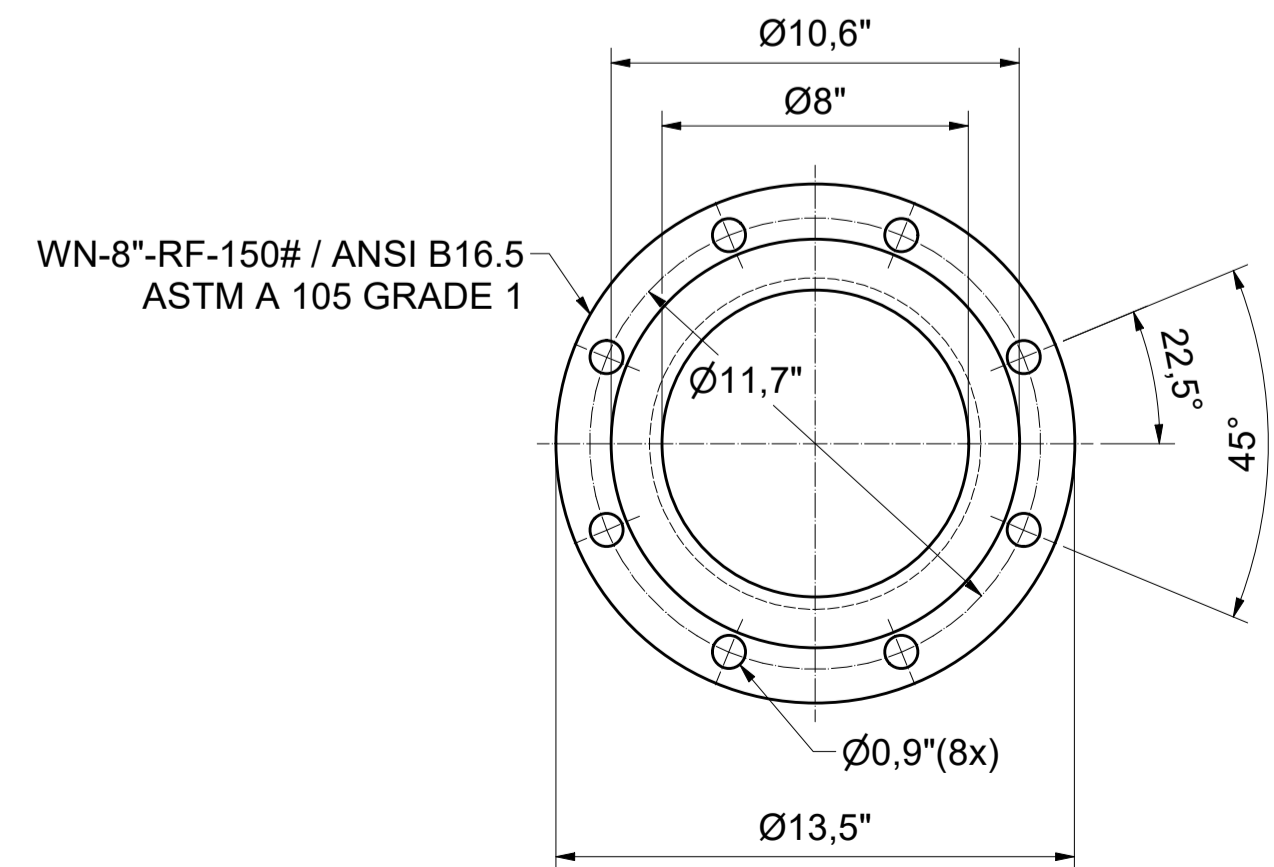
COMPRESSED AIR OUTLET

TOP VIEW

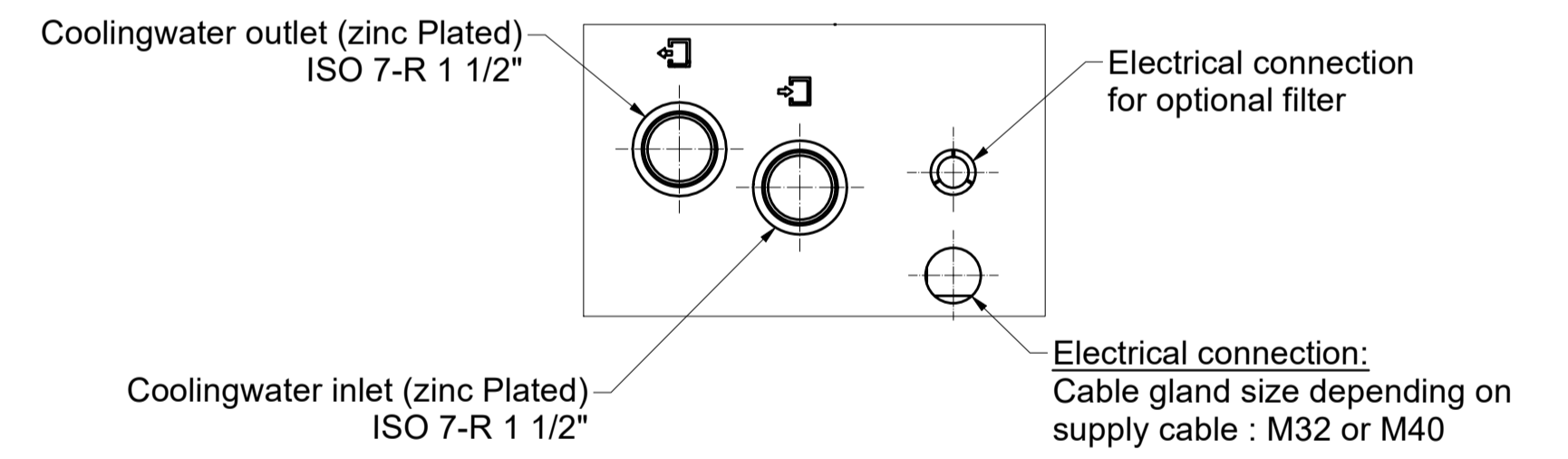


COMPRESSED AIR INLET

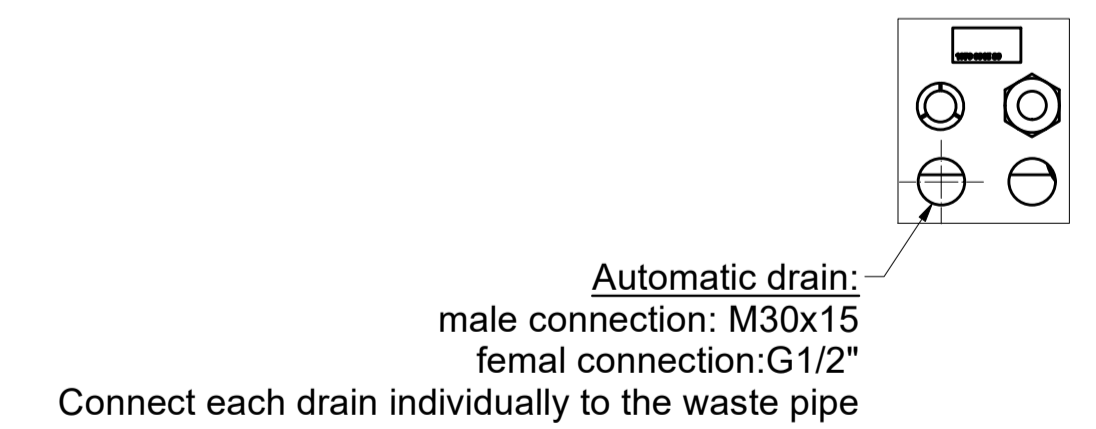
ANSI FLANGE (zinc plated)
(1 : 5)



Water & electrical connection
A (1 : 5)



Drain Connections
B (1 : 5)



**CENTER OF GRAVITY (APPROXIMATELY)

Dryer Type / Ambient Version	Weight	X DIN FLANGE	X ANSI FLANGE
VDR6350 / 115°F	3108 lbs	4,5"	6"
VDR8450 / 115°F	3395 lbs	4,5"	6"

Tolerances, if not indicated, according to:			
STANDARD CLASS			
Name	DIMENS. DRWG	VDR6350 / VDR8450	Confidentiality Class acc. to 1102 K
Material	Not Applicable		Internal
Treatment	Not Applicable		INV
Scale	1 : 10	Family	A1 Compare
Drawn by	INEMSI	Blank nr.	Replaces
Version Drwg	Blank wt	Kg/Fini wt.	7451 lbs
STATUS	Des checked.	Prod checked.	Approved.
1839007671-M1	1	Date	12/11/2021
Parent 3D model	Ed - Version 3D	Released	1839007671-02

CONFIDENTIAL: This document is our property and shall not be distributed or used without our prior permission. No part of this document may be reproduced or transmitted in any form or by any means electronic, mechanical, photocopying, recording, or by any information storage and retrieval system without our prior permission.

Ed	Position	Modified from	Date	Intr./Appd.	User Agent
1			25/02/2022		User Agent