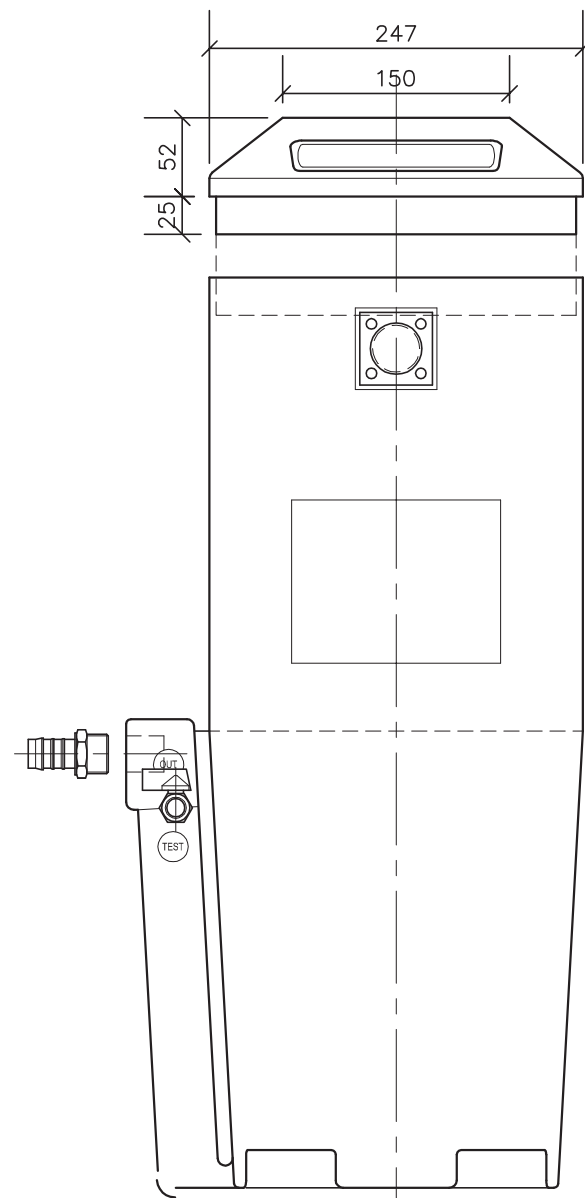
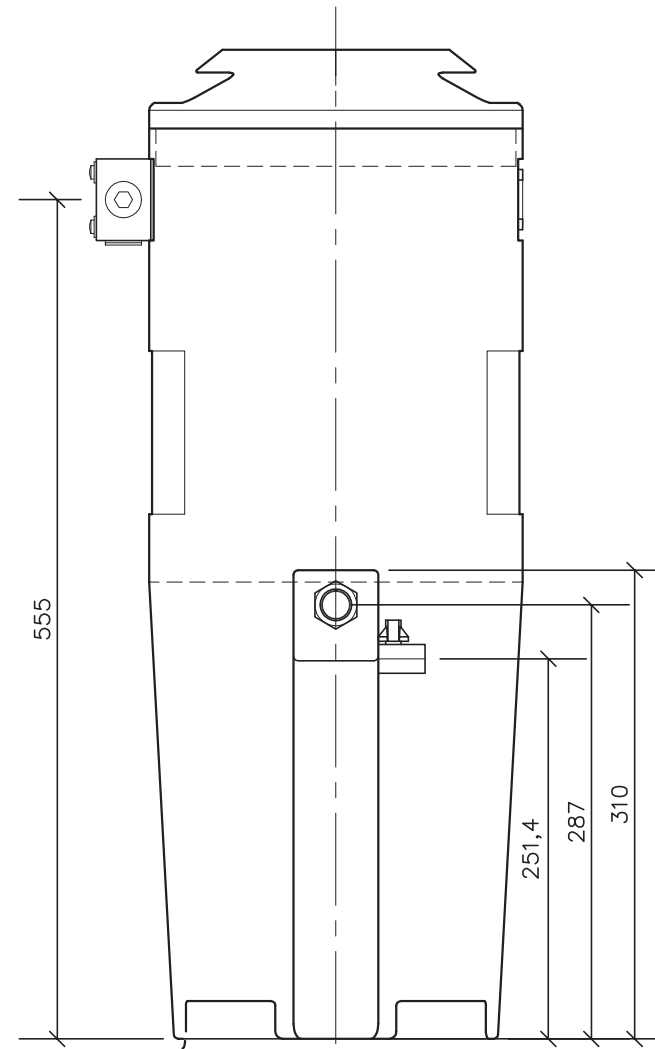


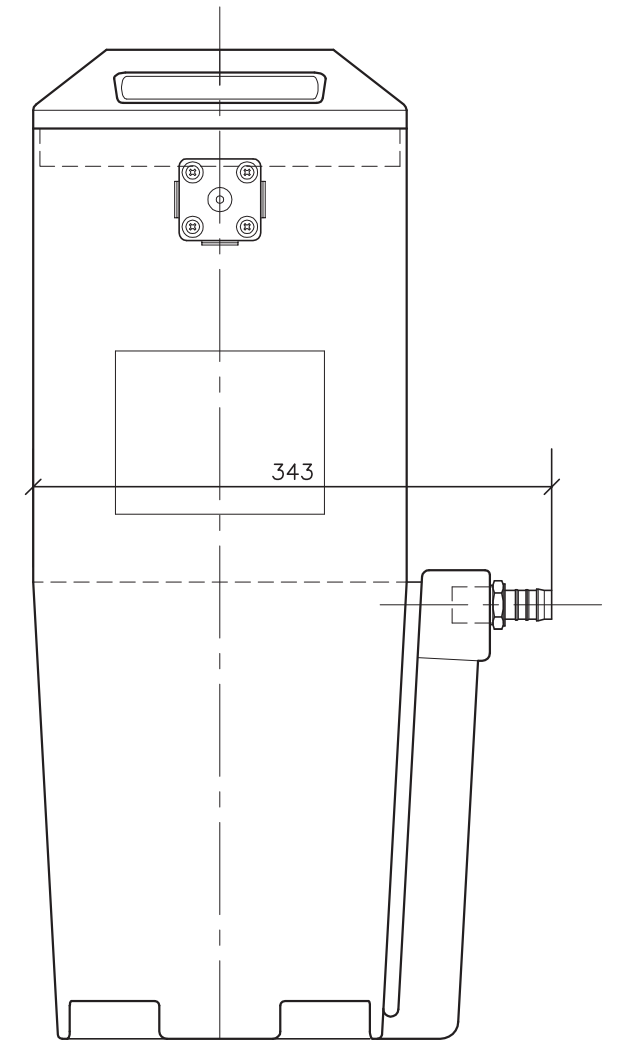
ELEVATION A-A



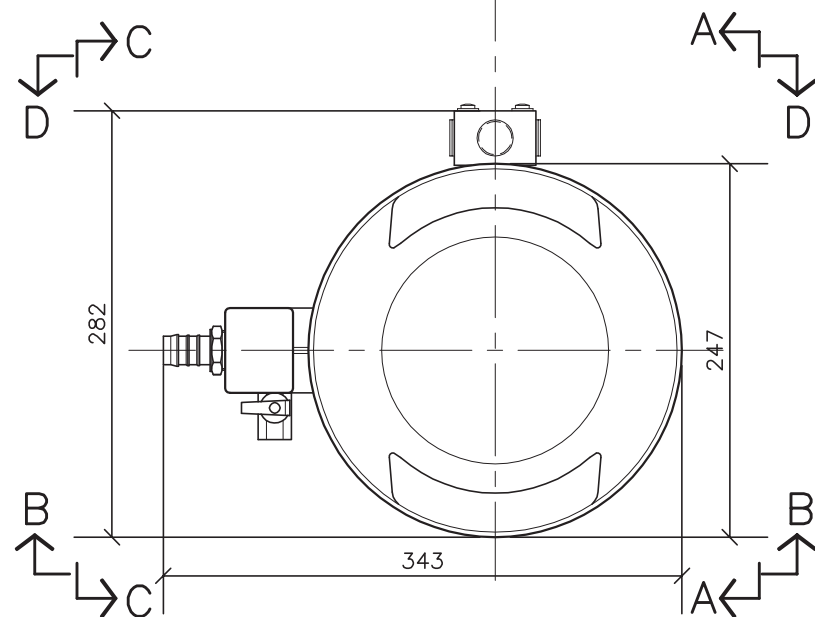
ELEVATION B-B



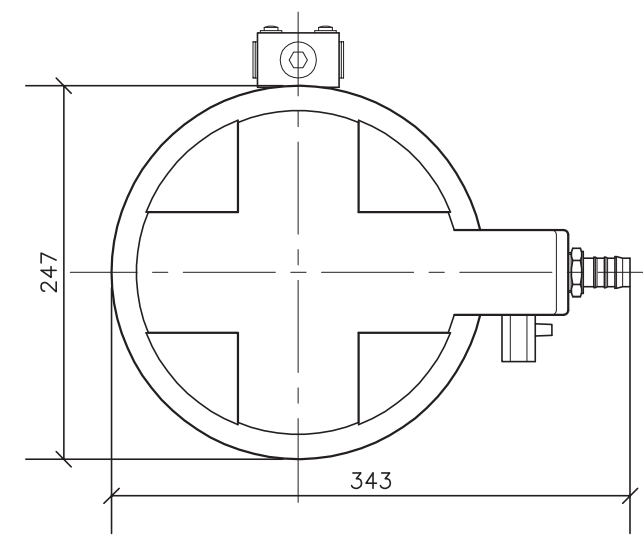
ELEVATION C-C



ELEVATION D-D



PLAN



PLAN TO UNDERSIDE