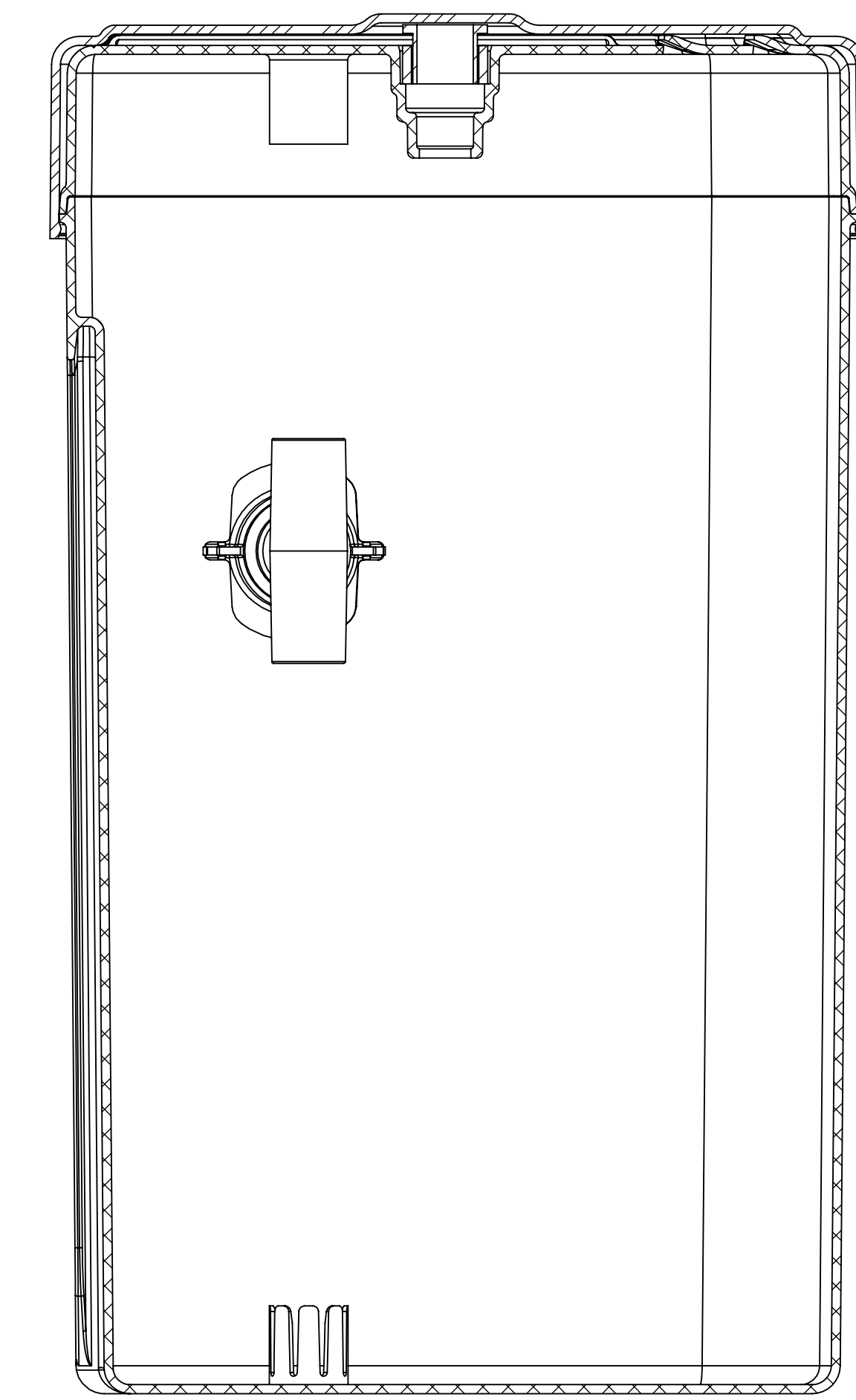
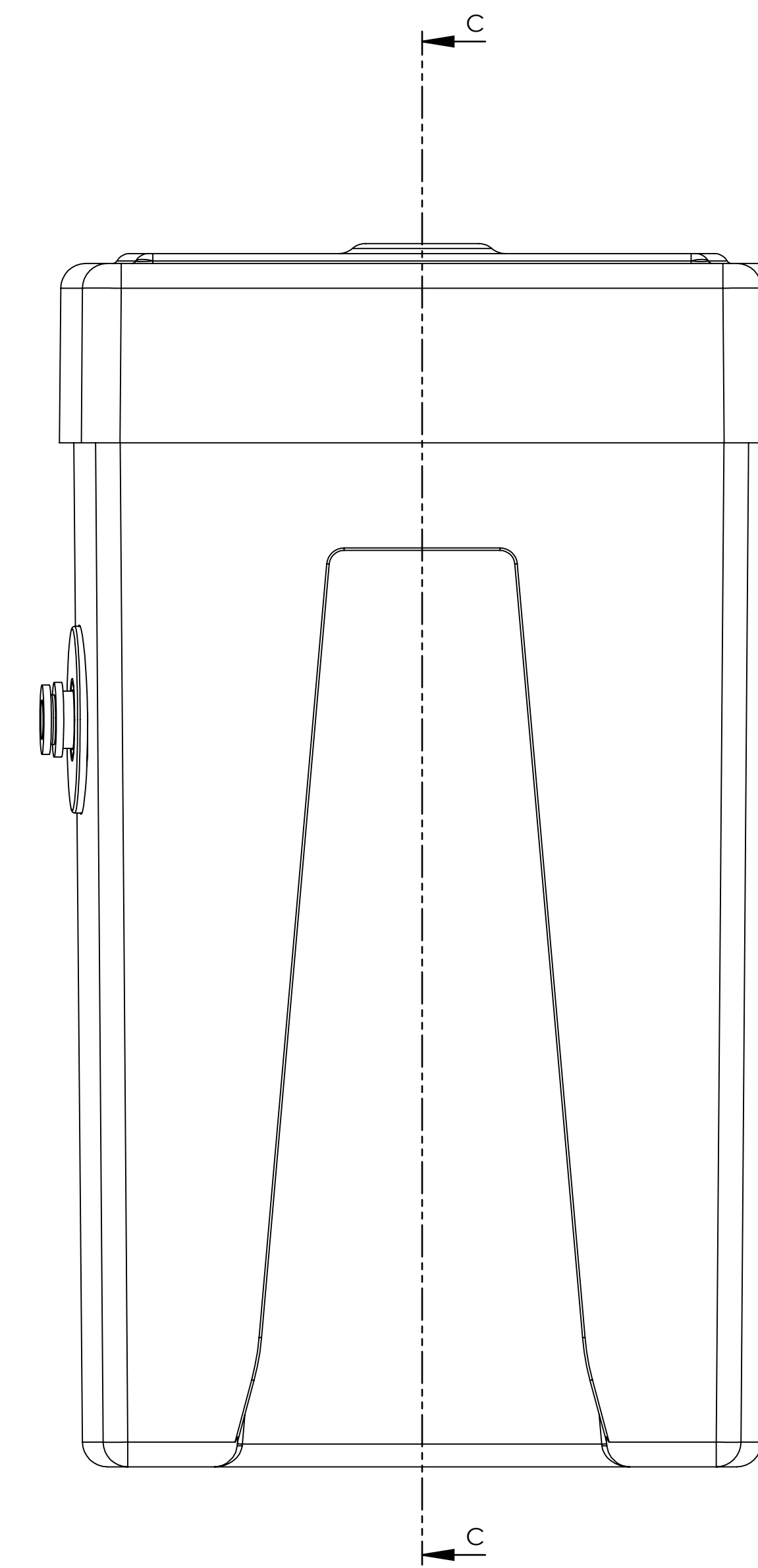
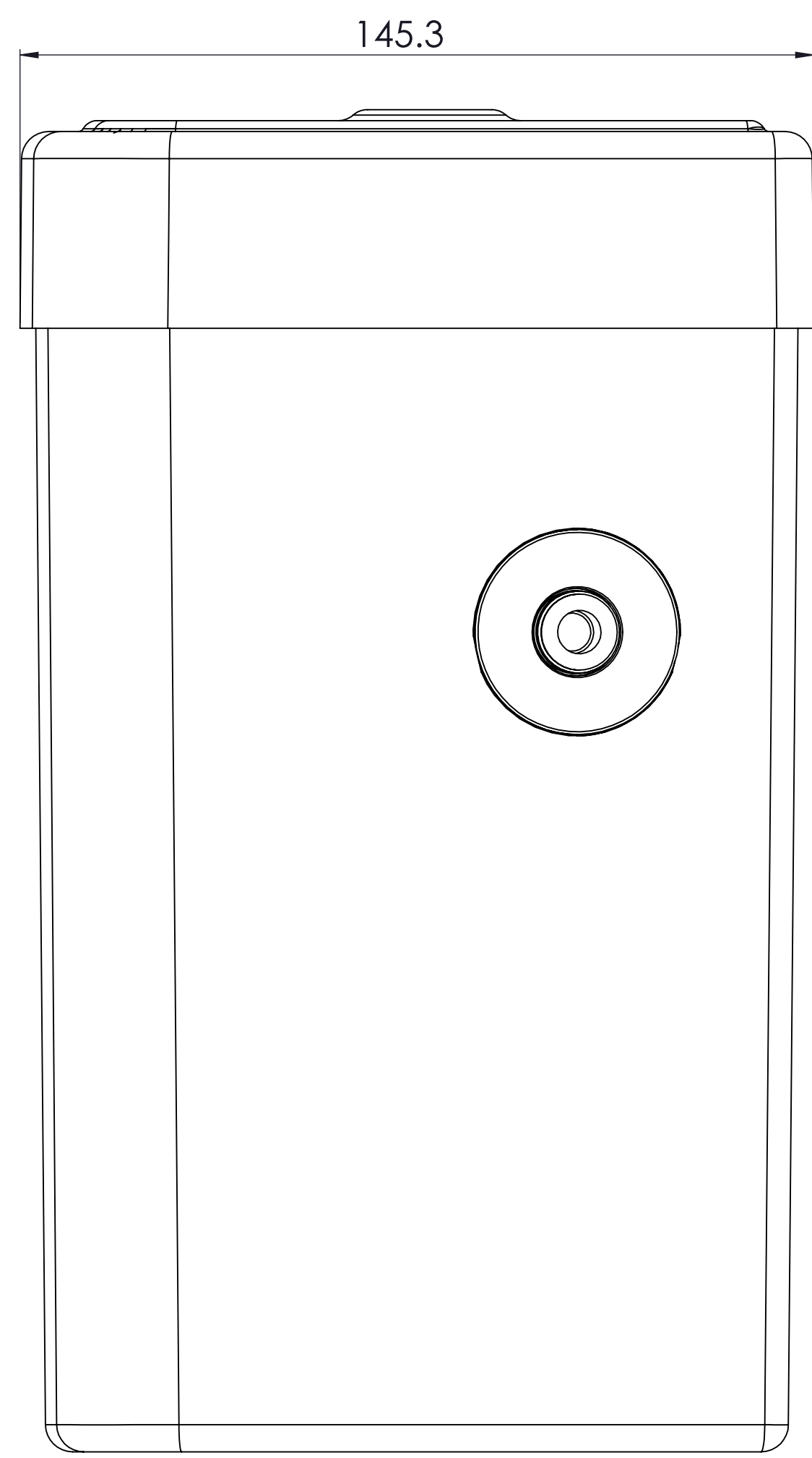
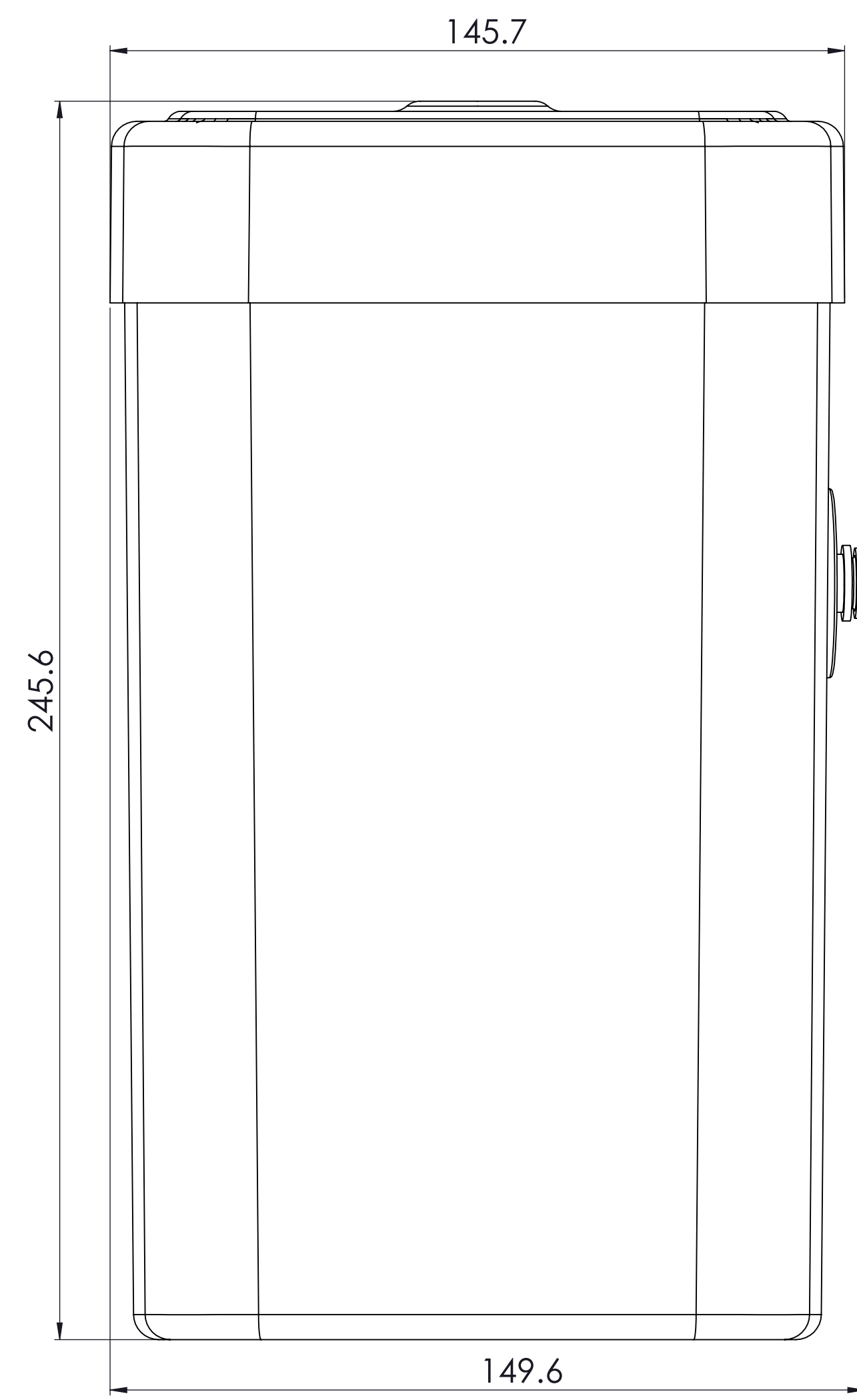
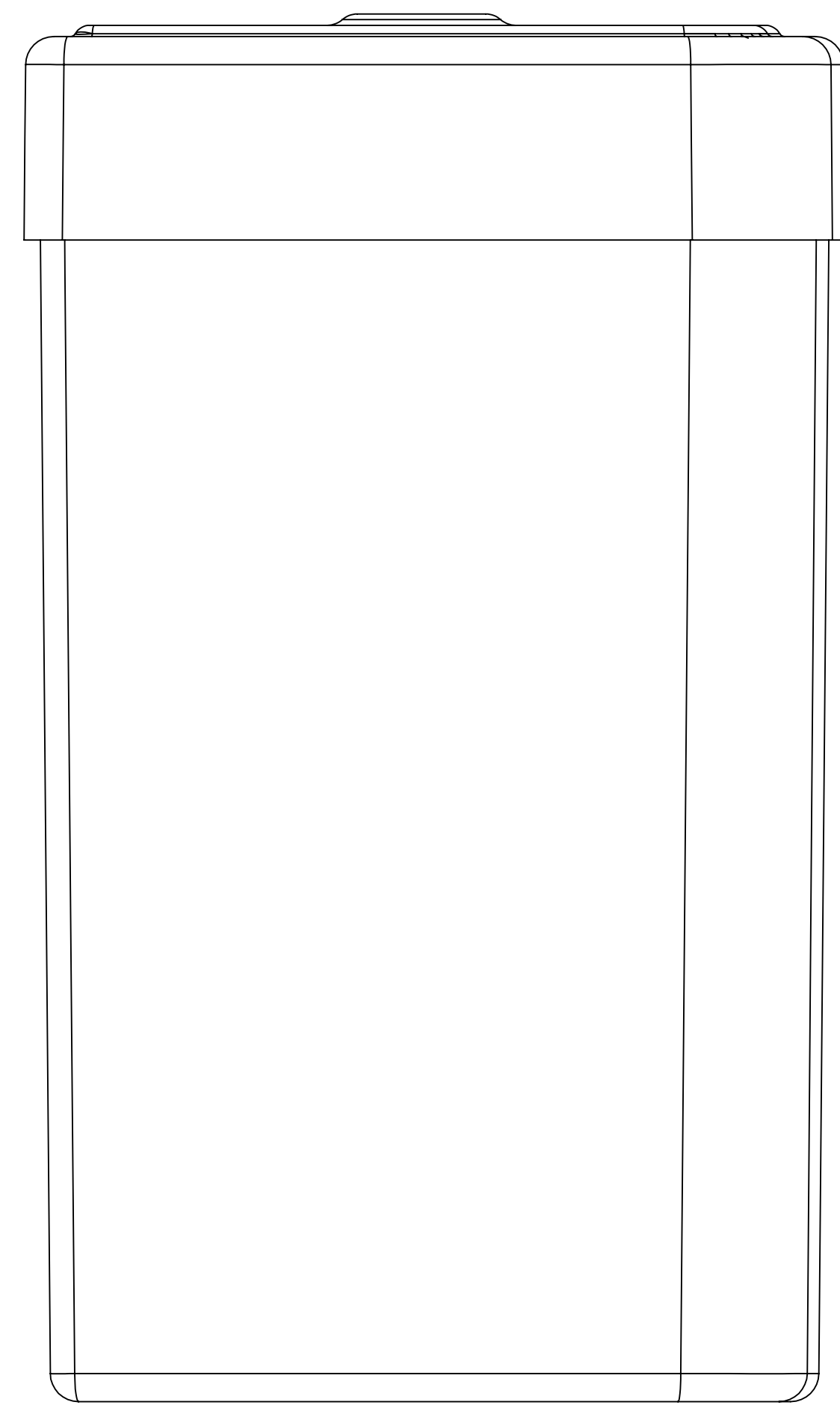
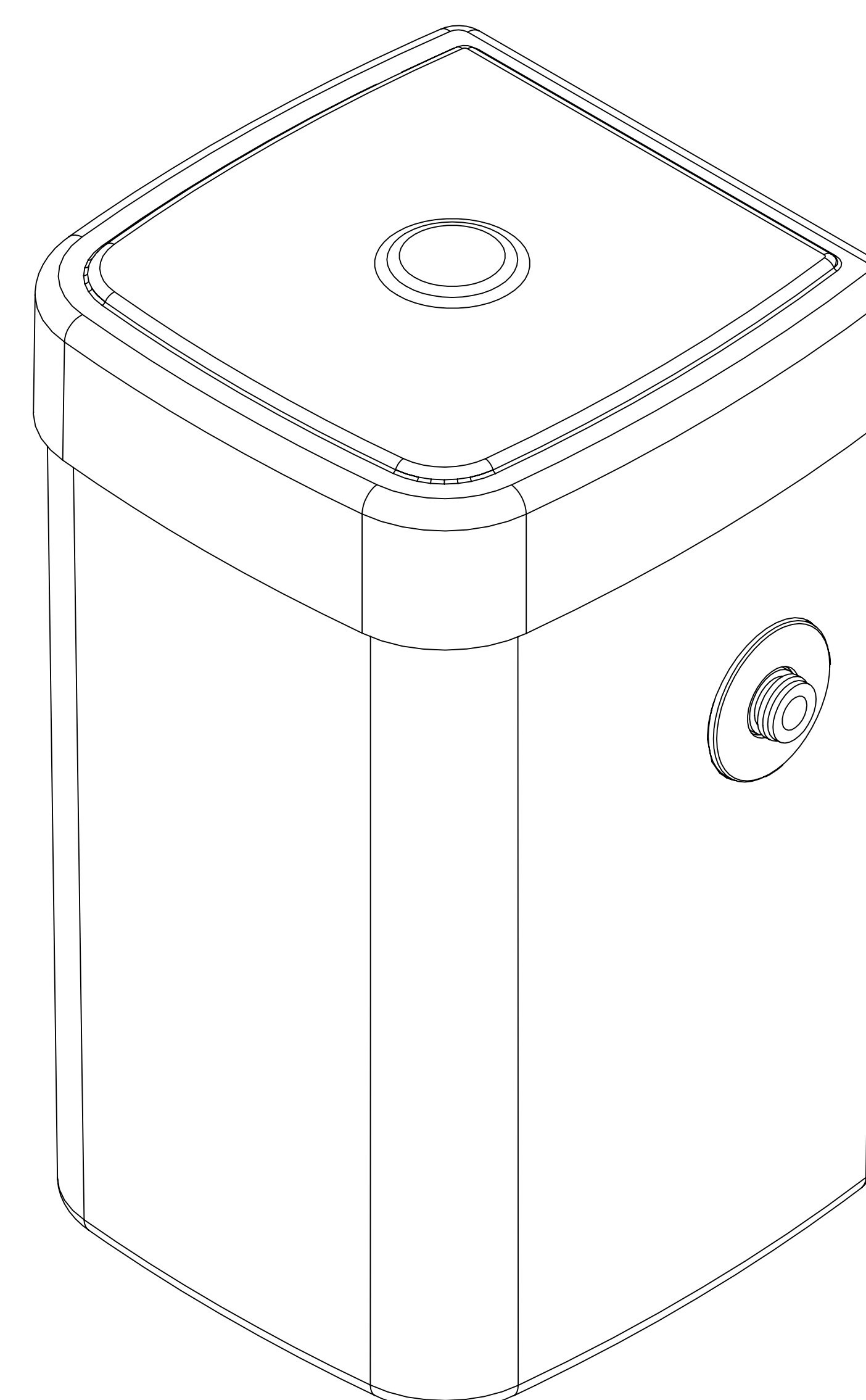
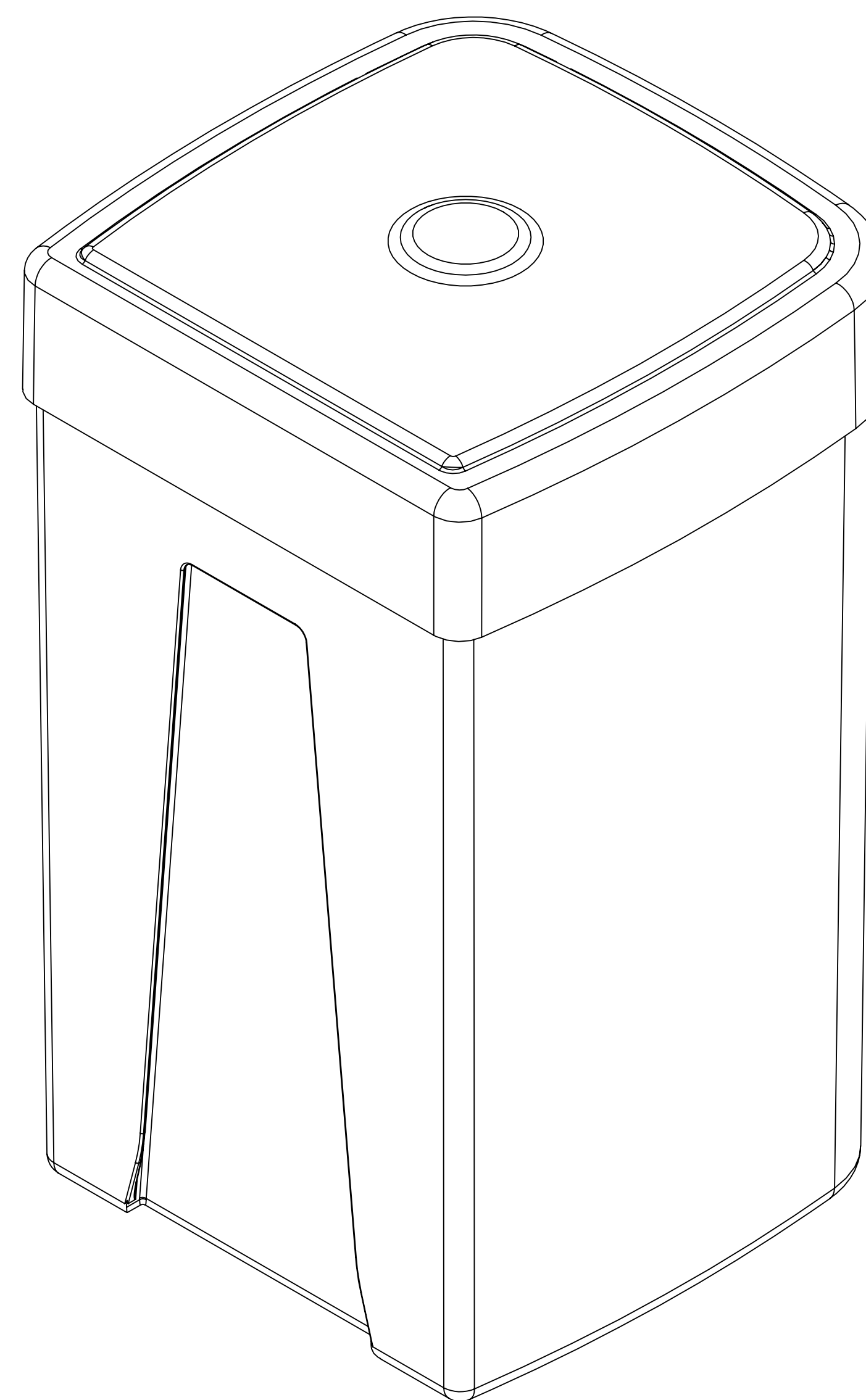
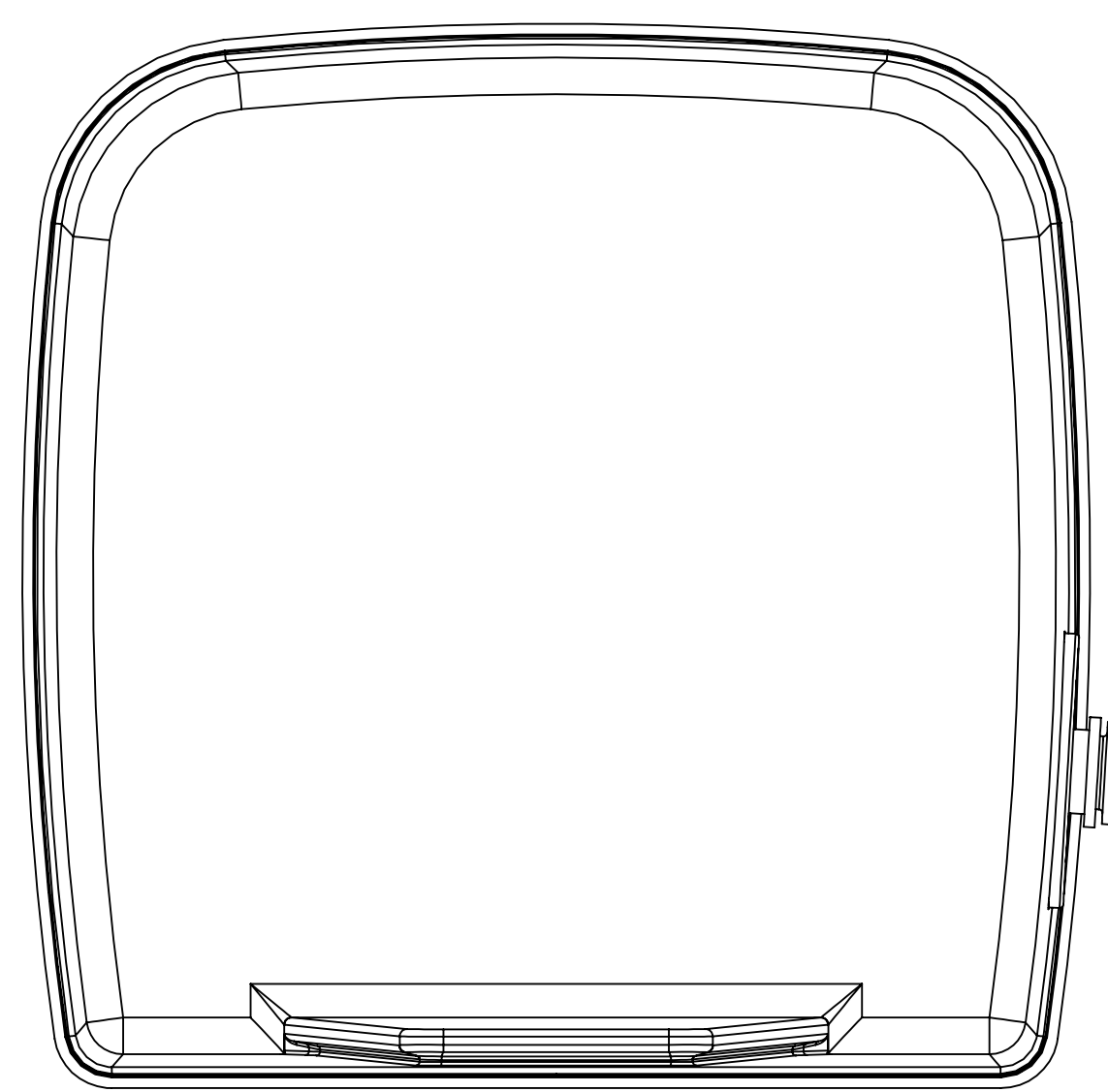


SHOWN IN IT'S DISPOSAL STATE



SECTION C-C



COMPONENT:		NAME	DATE	PRODUCTION TWO ANGLE	TITLE
MACHINE:	DESIGN				ASSEMBLY DRAWING
FINISH:	CHECK				
MATERIAL:	APPROV				
SHRINK:	UNLESS OTHERWISE SPECIFIED DIMENSIONS ARE IN MILLIMETERS				
	TOLERANCES:				
	DO NOT SCALE DRAWING. IF IN DOUBT ASK				

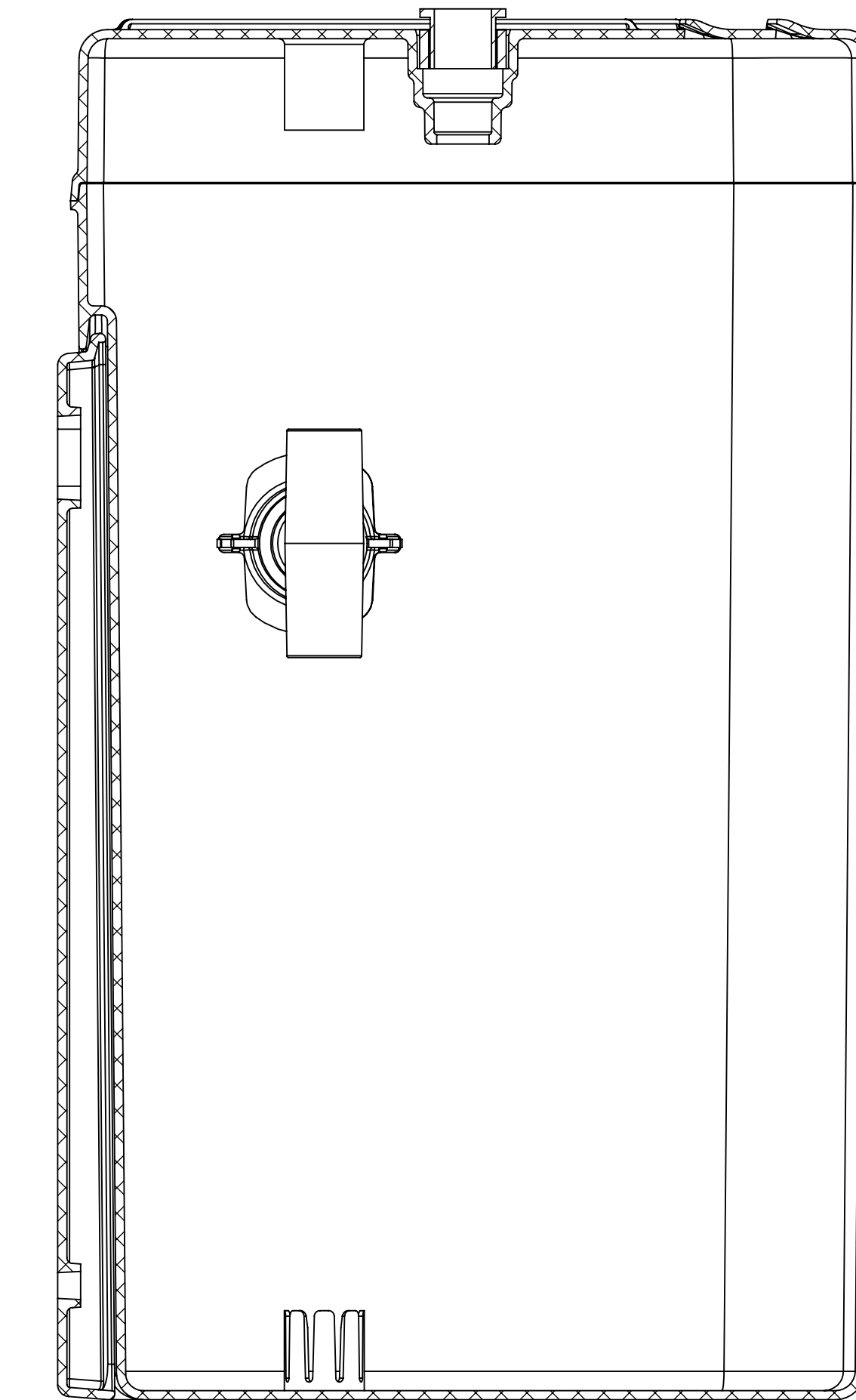
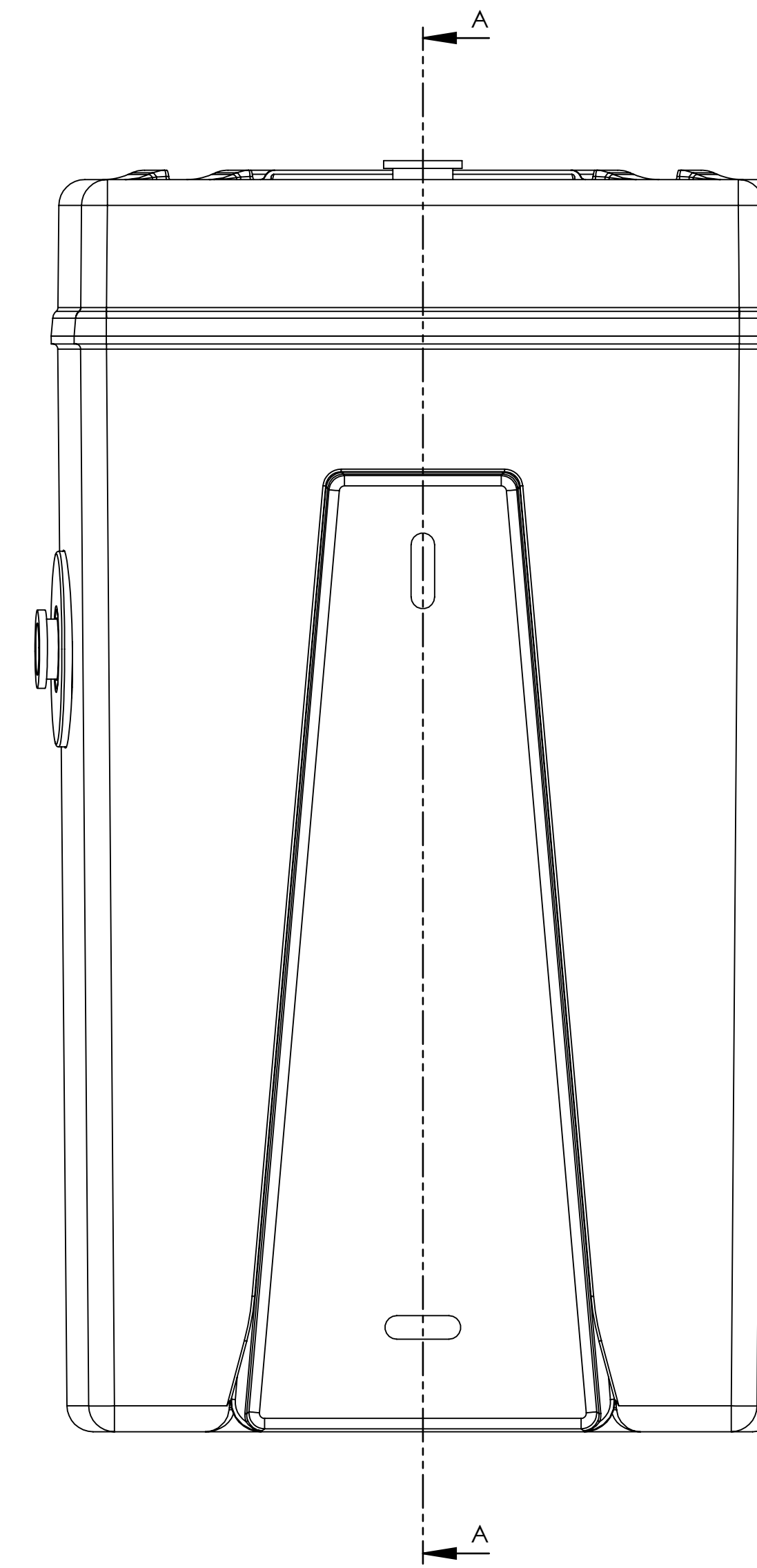
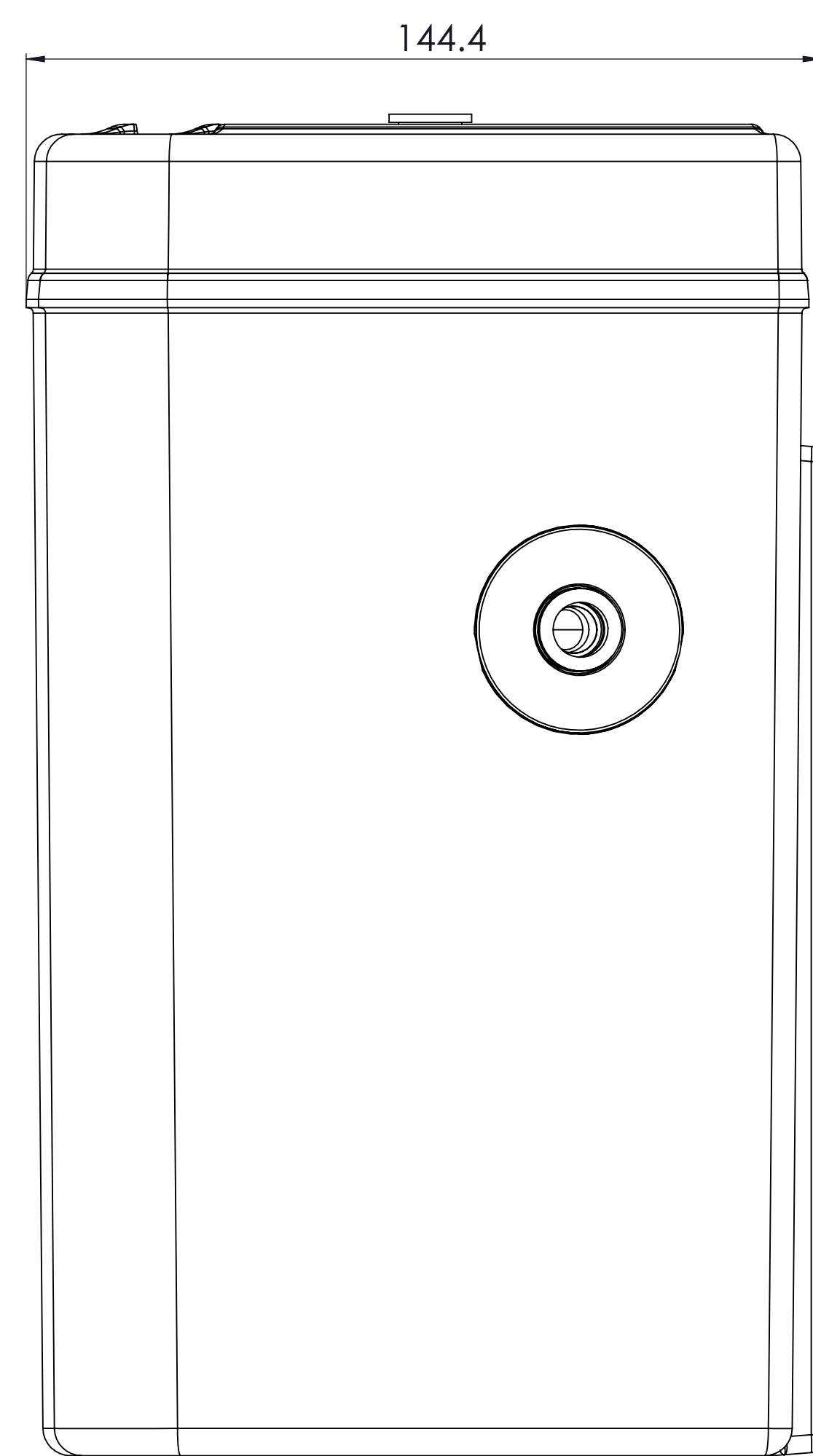
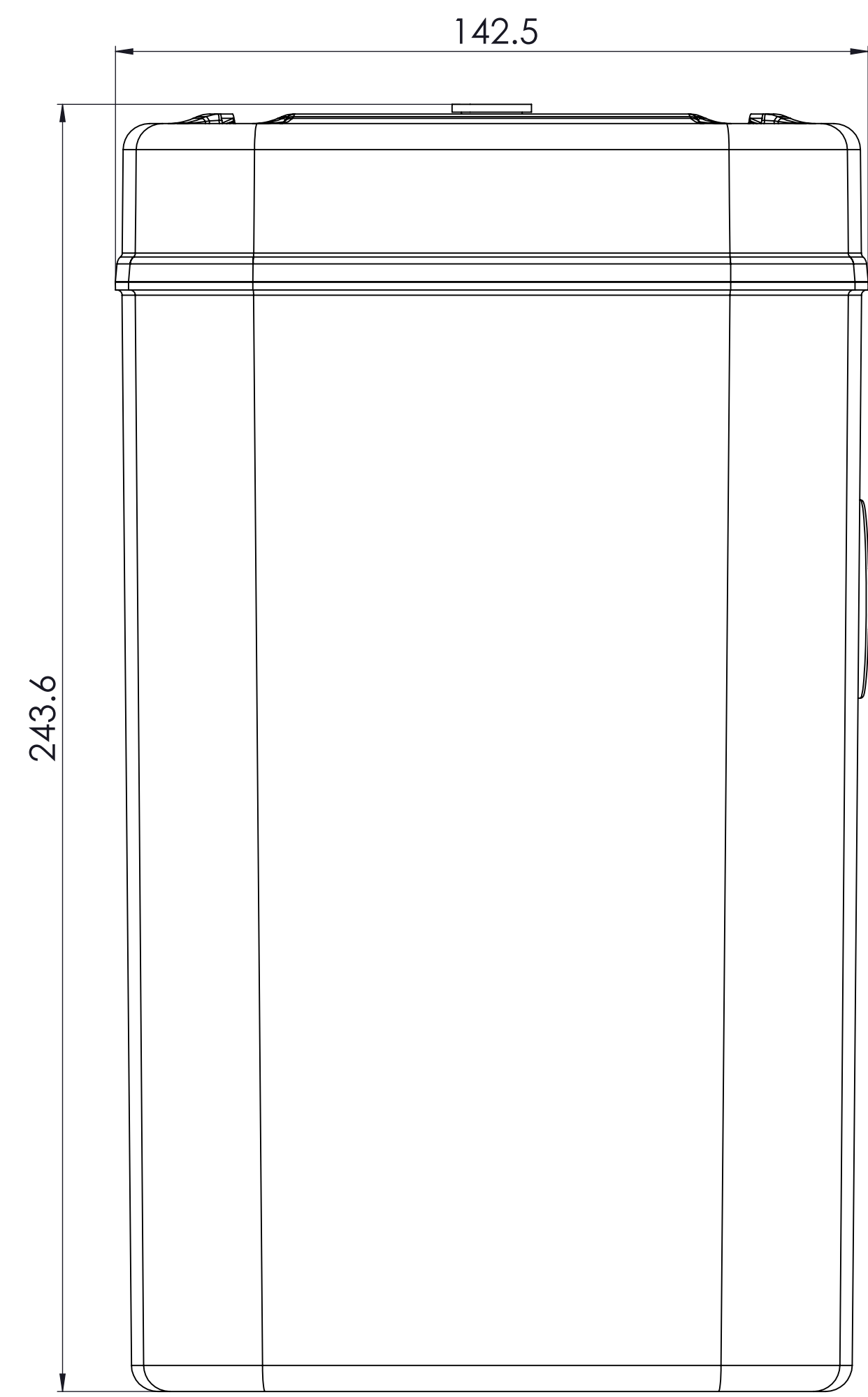
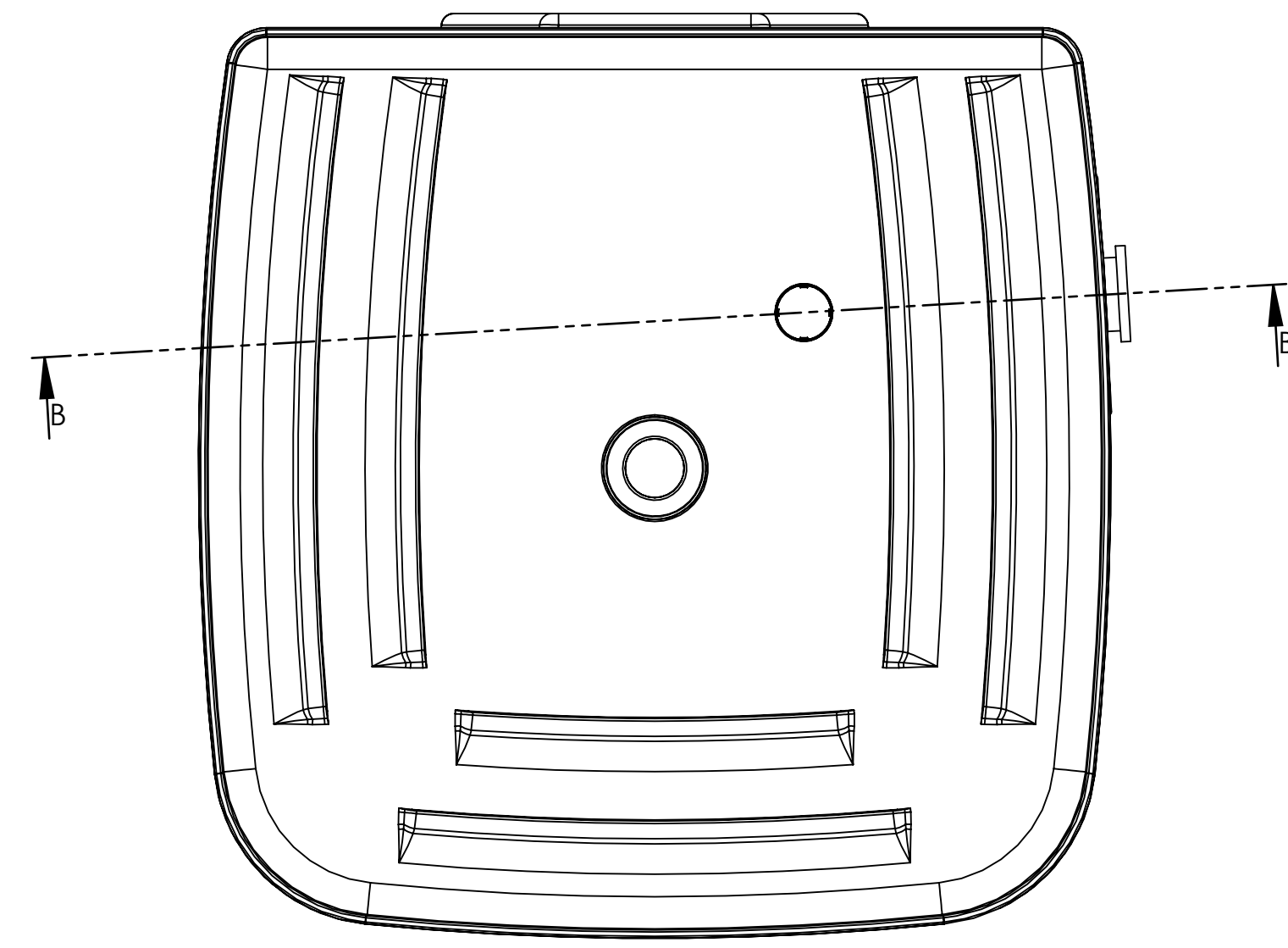
www.nano-purification.com

SCALE: 1:1

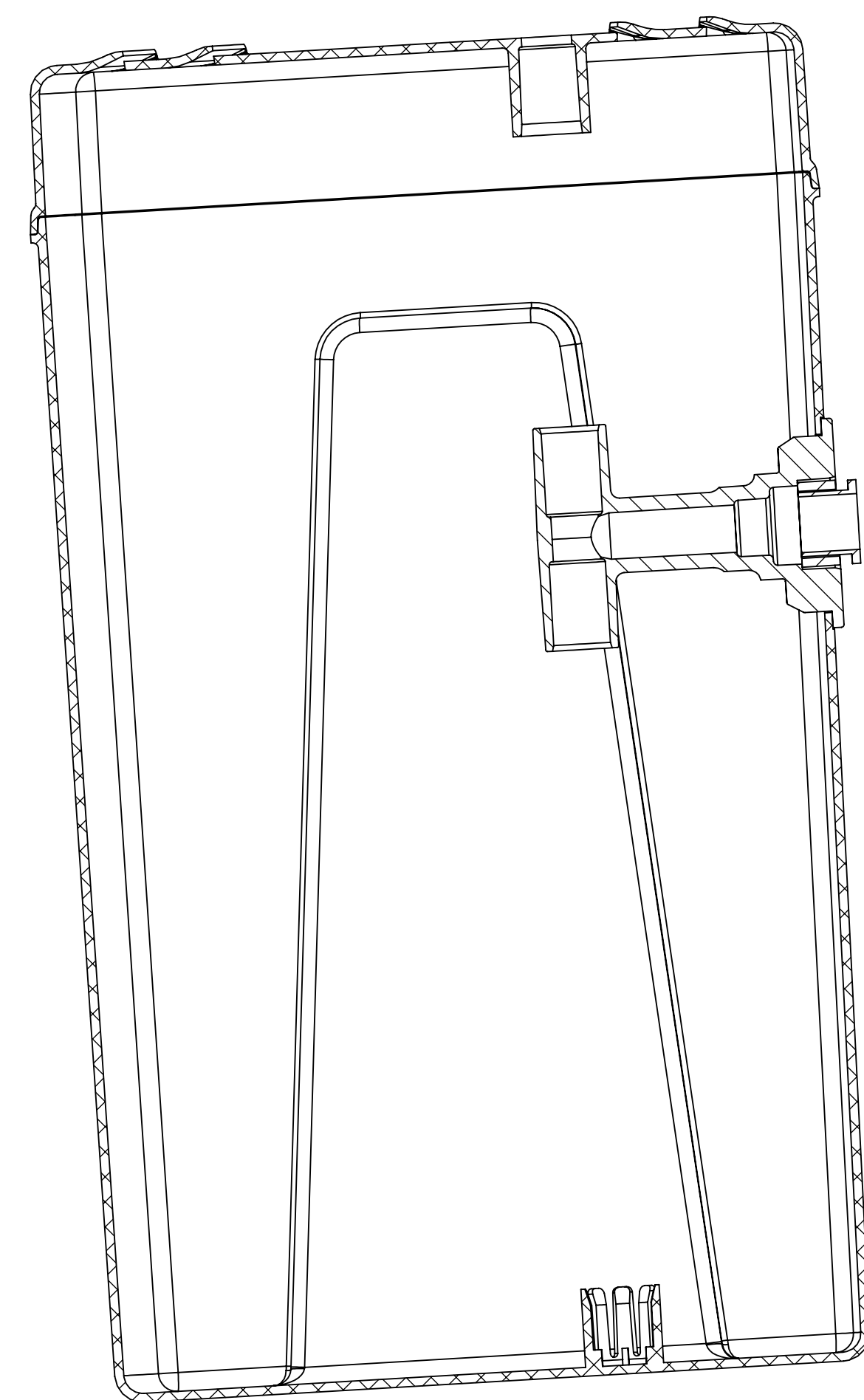
Sheet1

SEP 60 ST

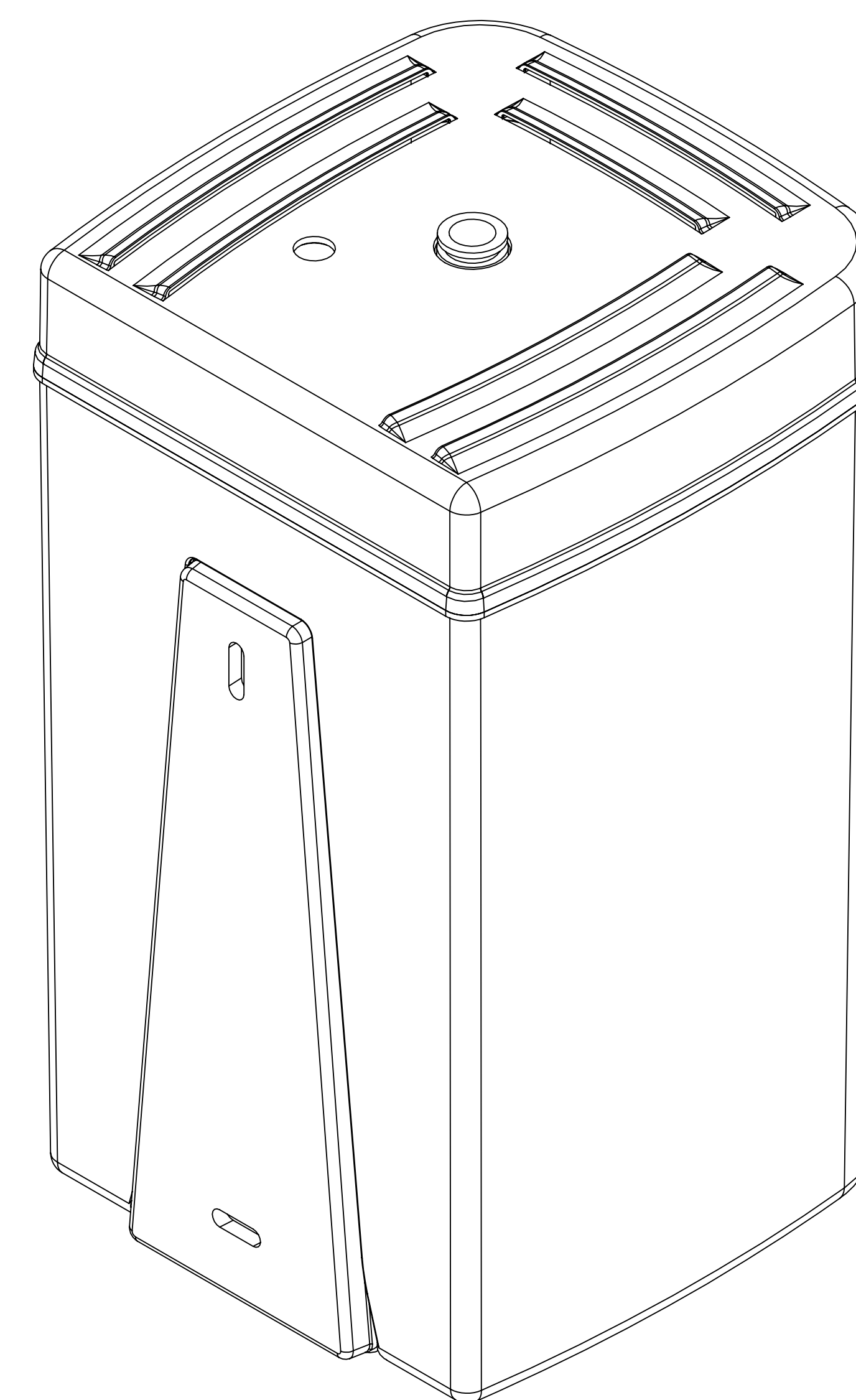
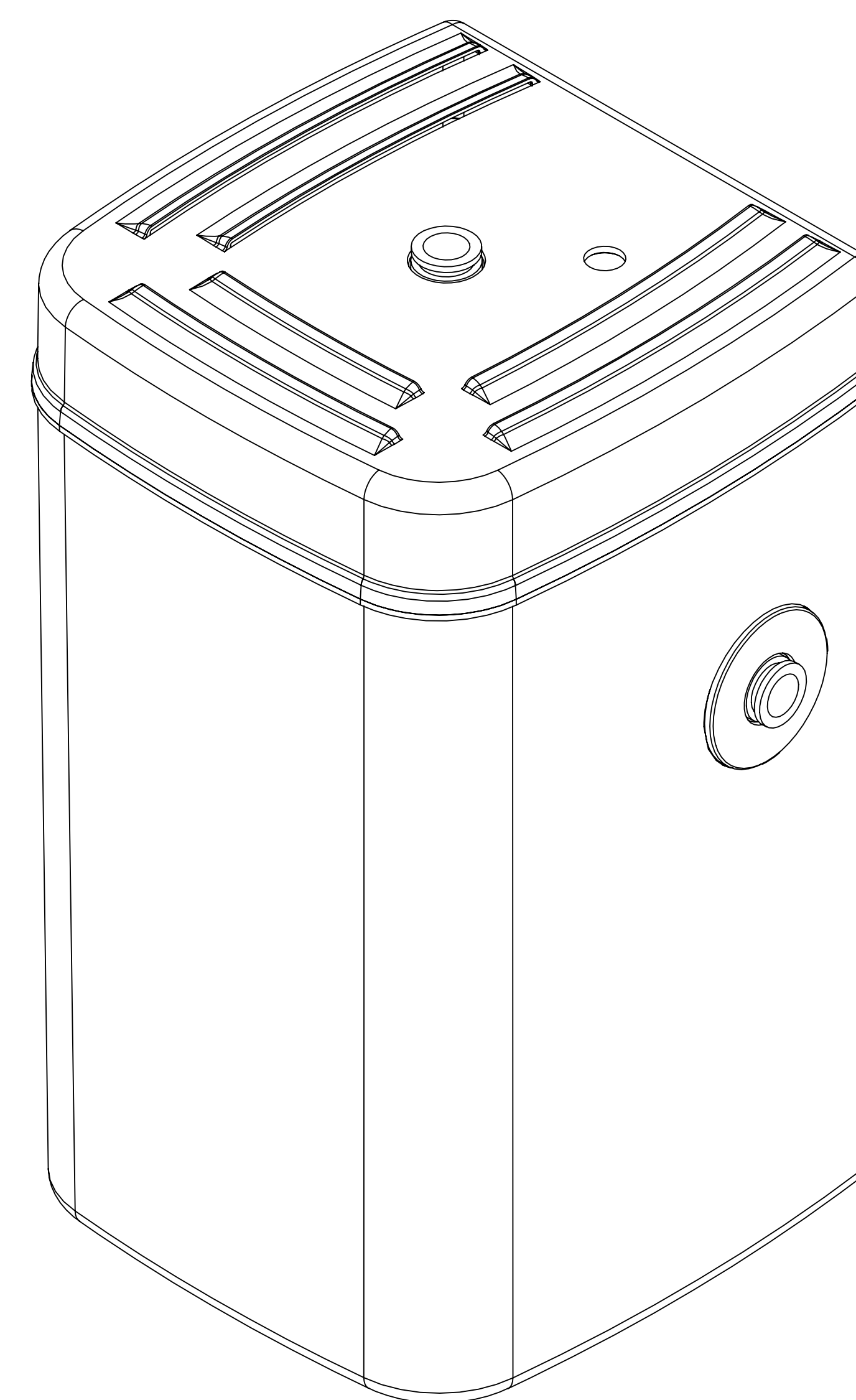
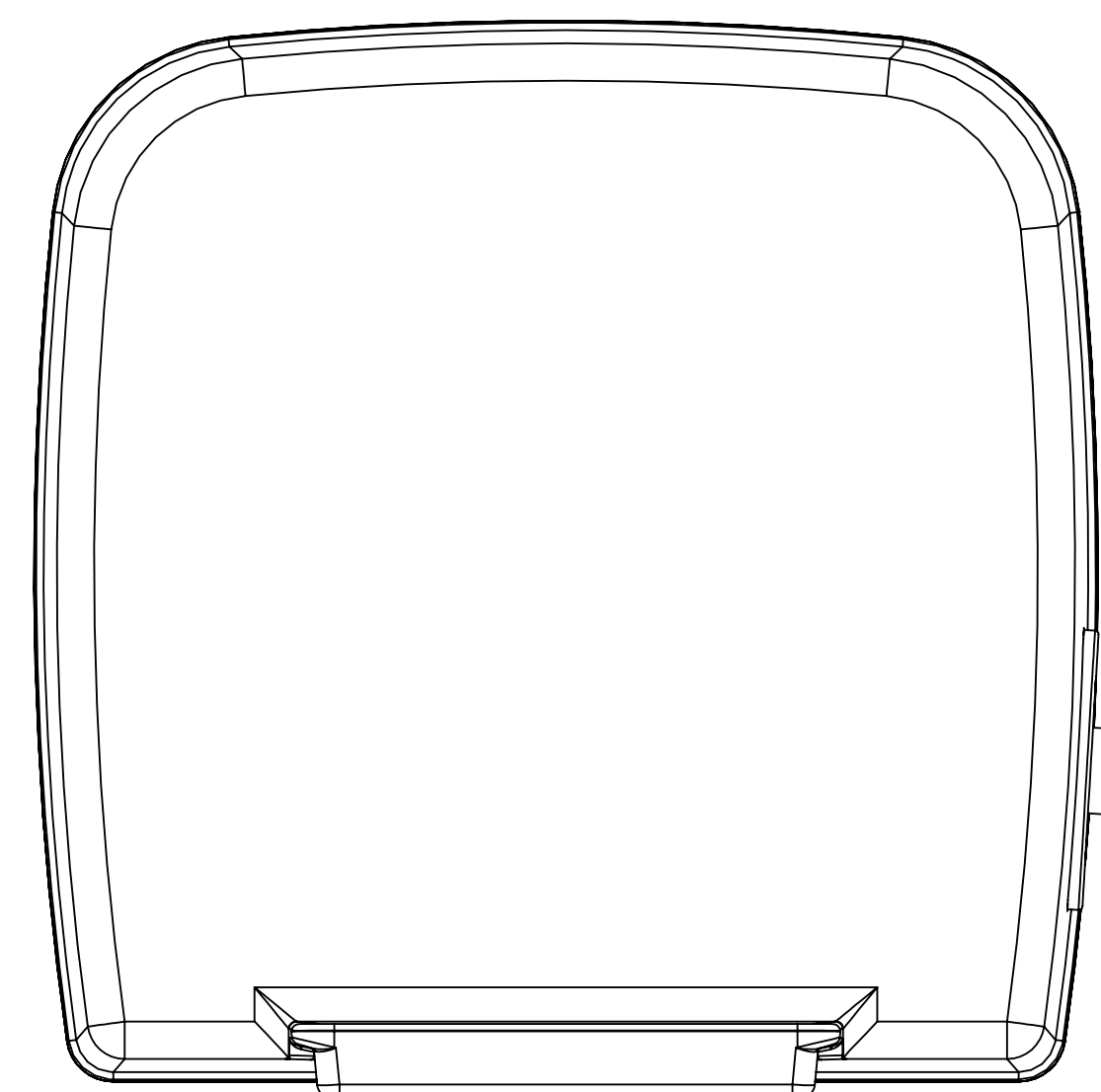
A0



SECTION A-A



SECTION B-B



COMPONENT:	DESIGN:	NAME:	DATE:
MACHINE:	CHECK:		
FINISH:	APPROV:		
MATERIAL:	UNLESS OTHERWISE SPECIFIED DIMENSIONS ARE IN MILLIMETERS		
SHRINK:	DO NOT SCALE DRAWING, IF IN DOUBT ASK		



PRODUCTION THIRD ANGLE
 TITLE: ASSEMBLY DRAWING
 DWG NO.: SEPT 60 ST
 SCALE: 1:1
 Sheet2