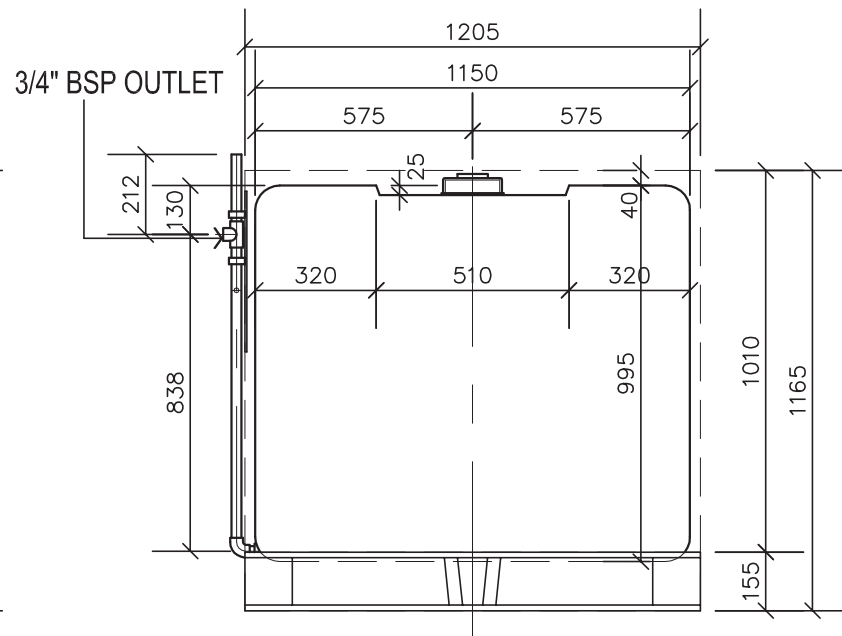
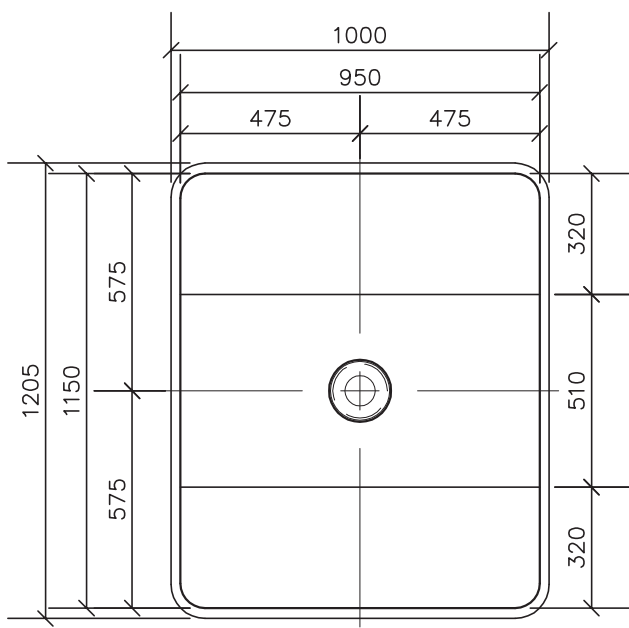


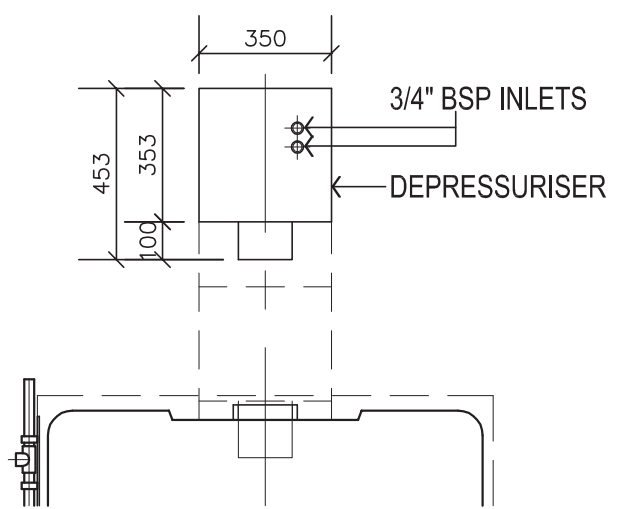
FRONT ELEVATION




SIDE ELEVATION



PLAN



INLET DETAIL

Project:	SEP 7000ST
PLAN & ELEVATIONS	
Scale:	1:20 © A4
Drawn by:	PAB
Checked by:	
Date:	21/11/11
DRG No:	BS1008/1/A
 www.nano-purification.com	
<small>Figured dimensions to be taken in preference to scaled dimensions, if in doubt, contact Air & Gas Solutions LLC. The copyright of the design depicted in this drawing is the property of Air & Gas Solutions LLC, and must not be reproduced without prior consent.</small>	