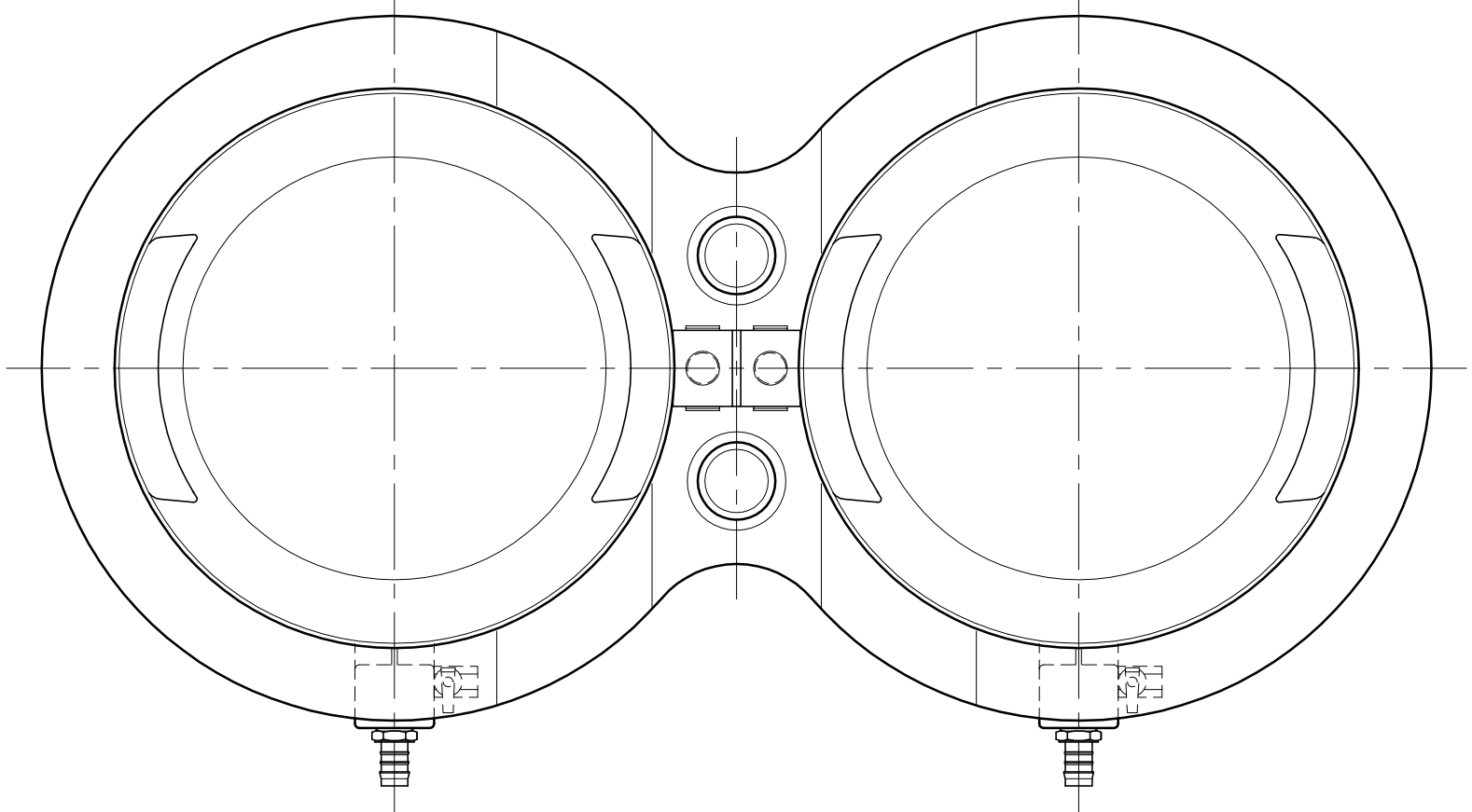


FRONT ELEVATION



PLAN