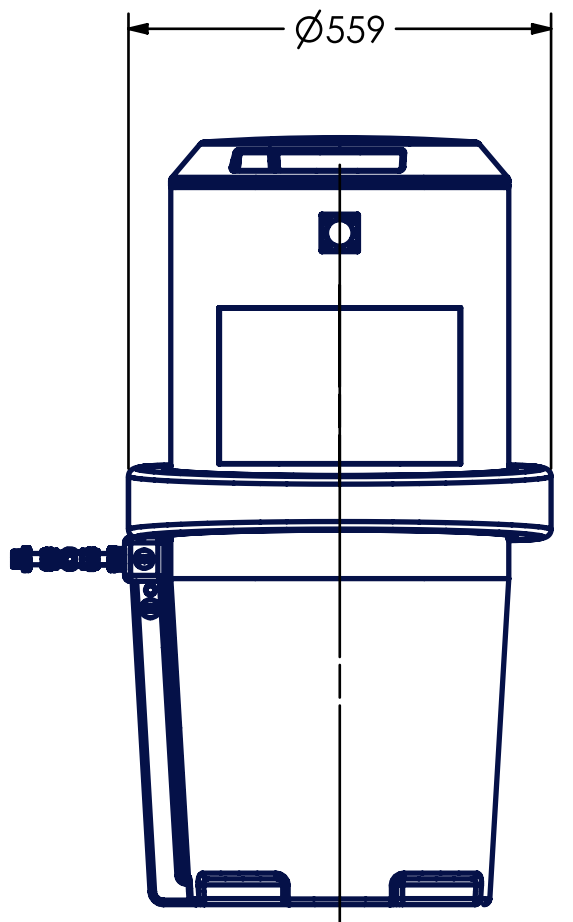



REV No	REVISION NOTE	DATE	SIGNATURE	CHECKED
1	production	09/02/18	dy	rp

asgsdfg



TOLERANCE-±5mm

SCALE 1-10	SHEET SIZE A3	NAME SEPURA SEP2500 Assembly	
MATERIAL POLYETHYLENE		 www.nano-purification.com	
DRAWN D YOUNG			
CHECK R POTTS			
APPR. R POTTS			
ISSUED 09-02-2018		DWG No BSL 1007	SHT 1 of 1
REV 1			
PROJECTION 3rd			