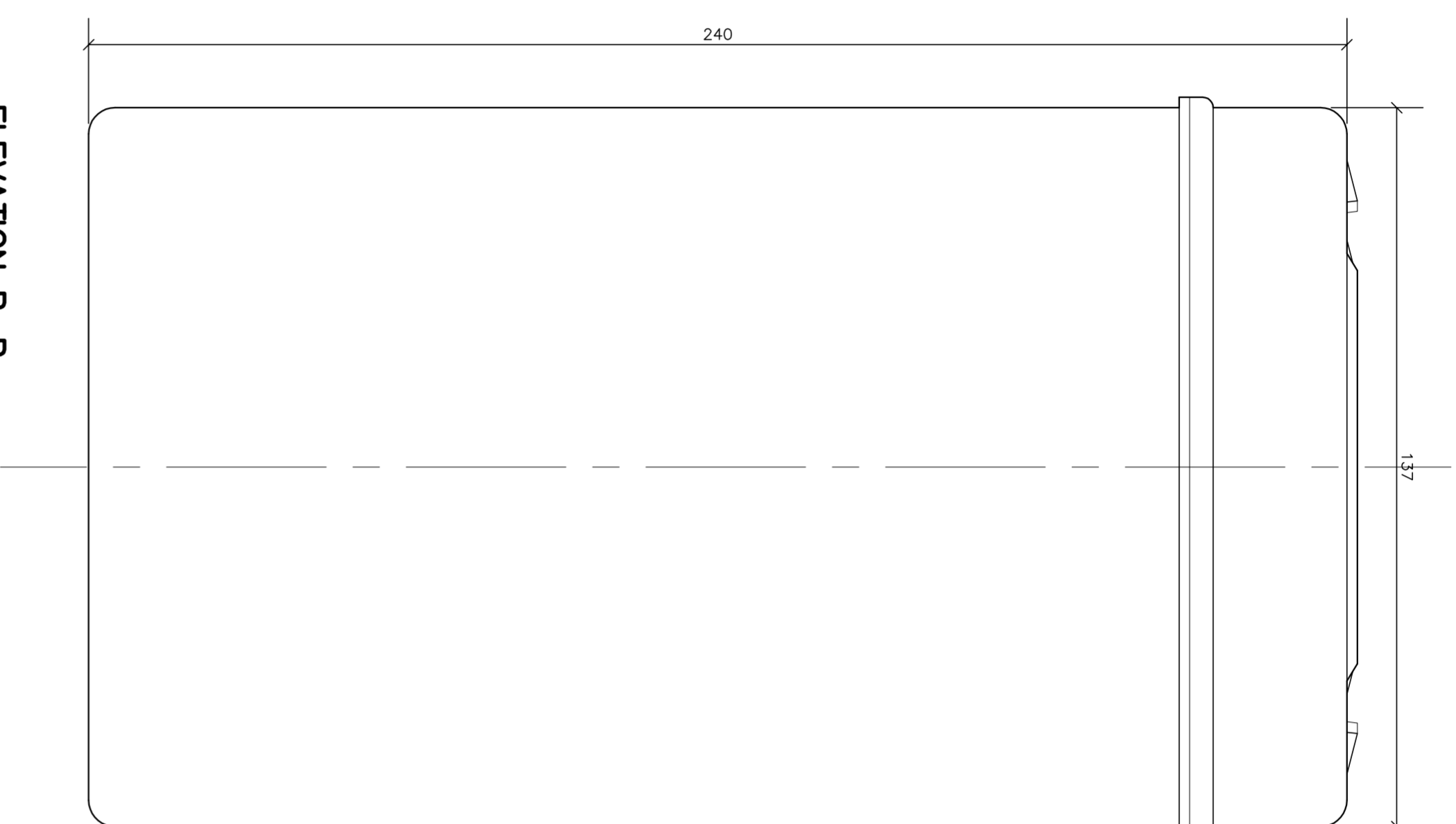
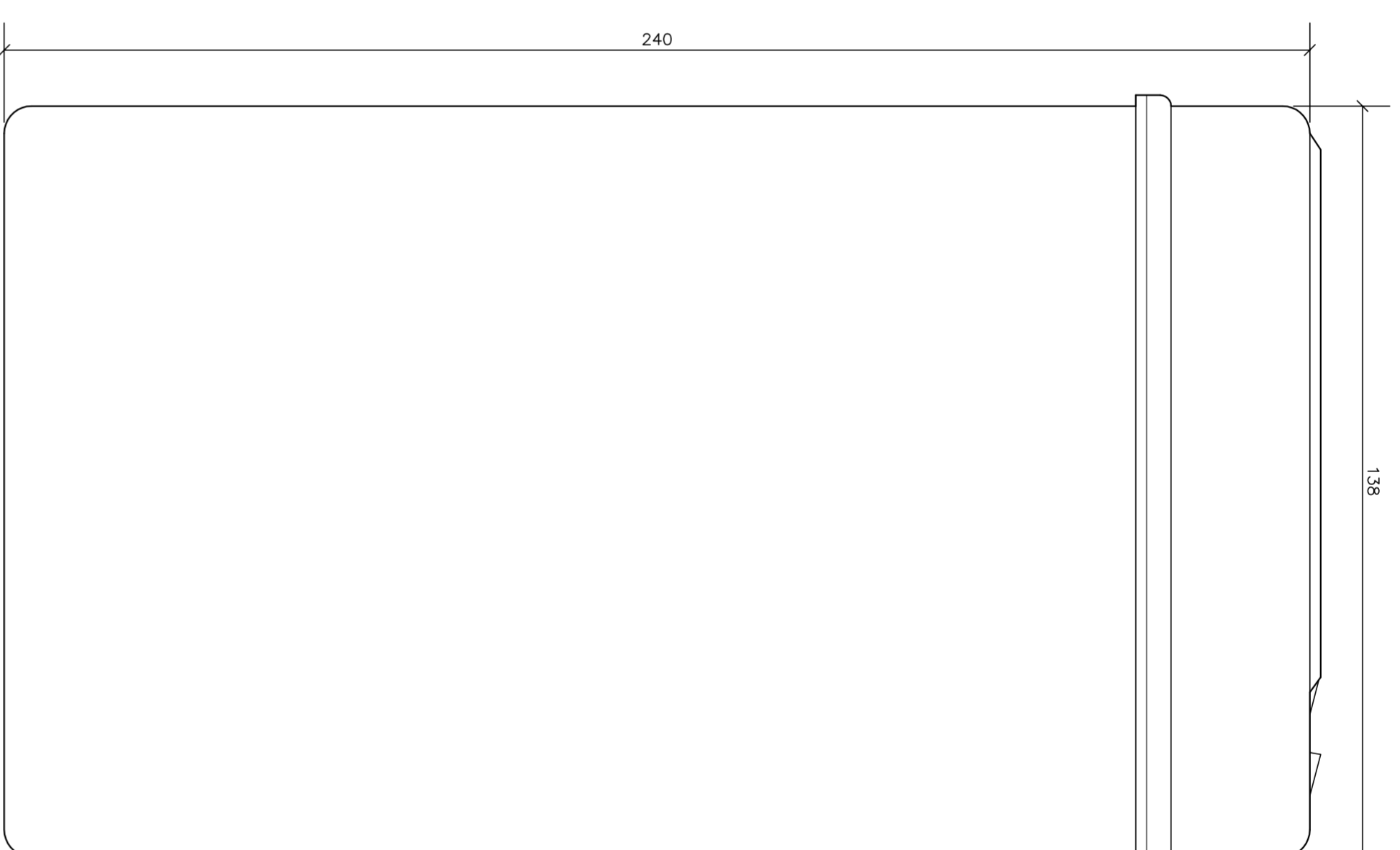


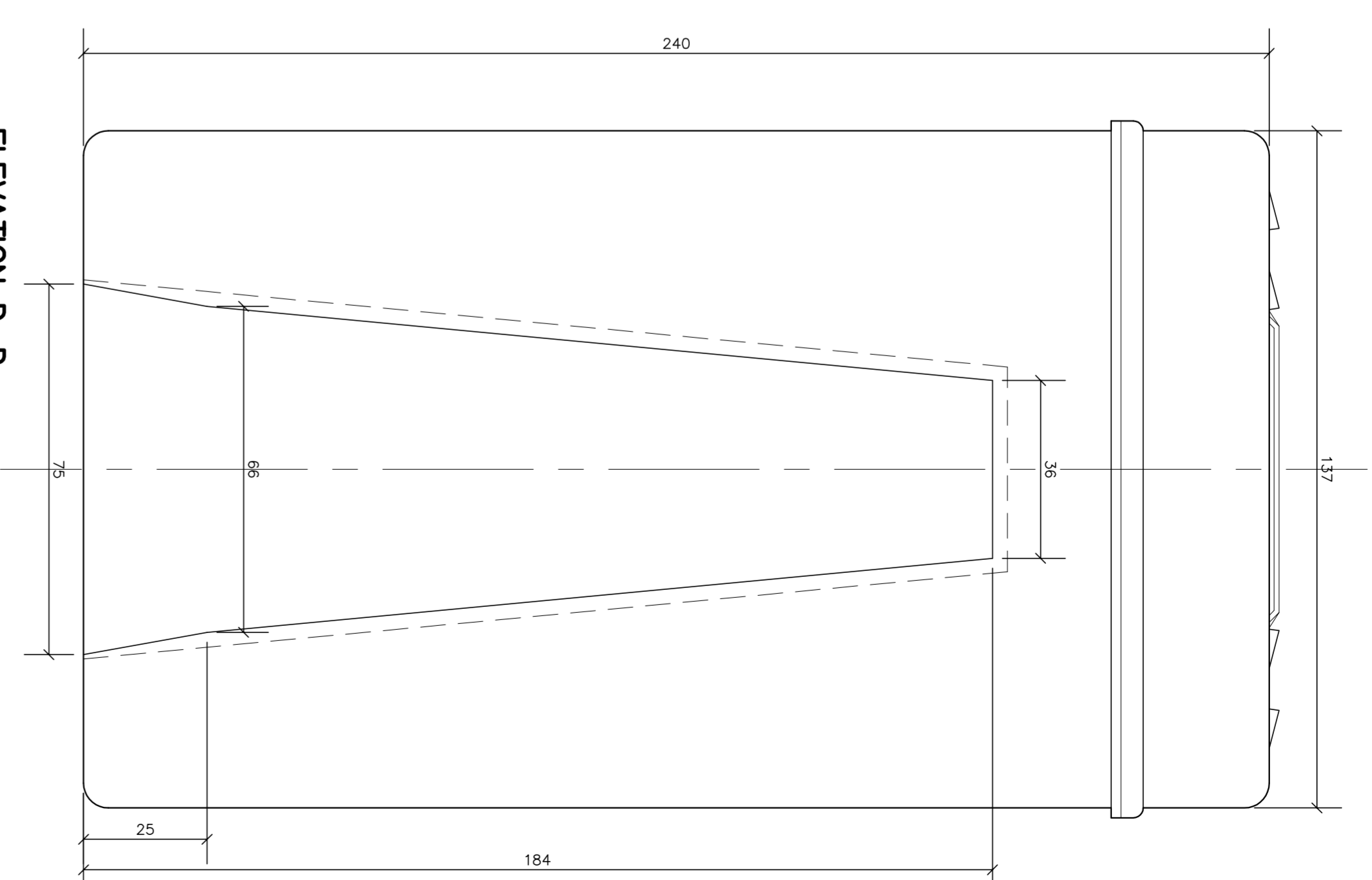
ELEVATION A-A



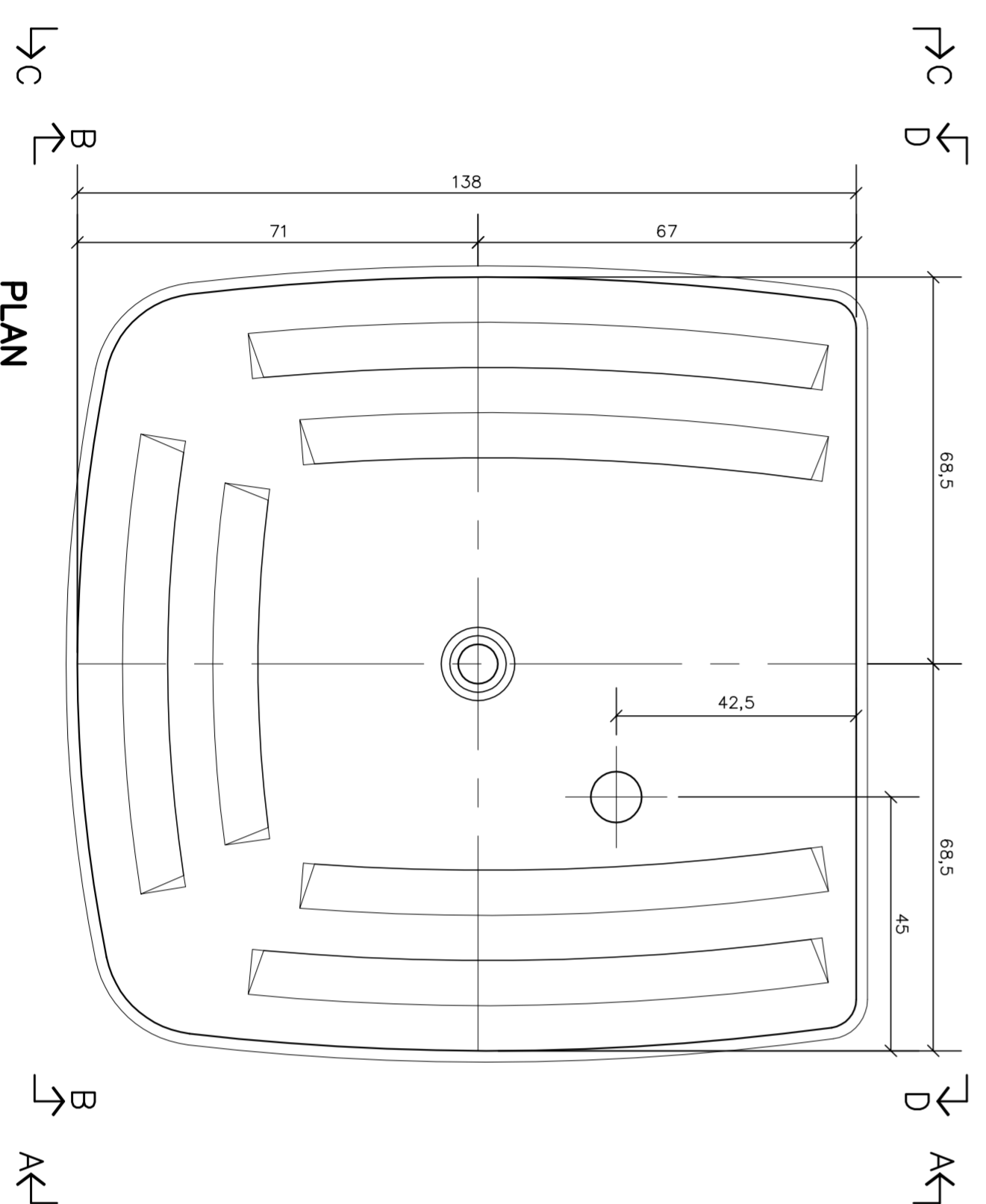
ELEVATION B-B



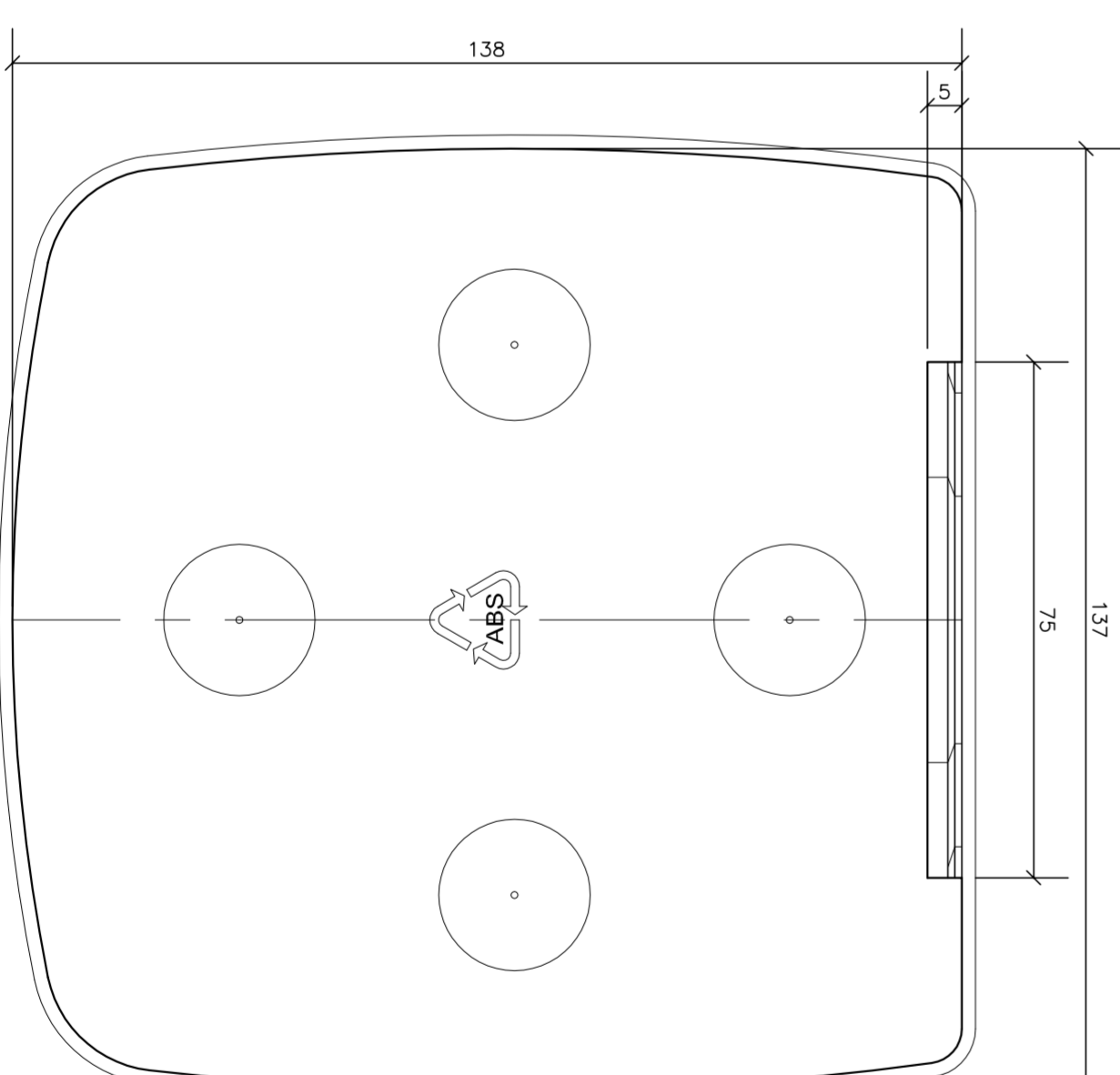
ELEVATION C-C



ELEVATION D-D



PLAN



PLAN TO UNDERSIDE

Project:
60 CFM DISPOSABLE
CONDENSATE SEPARATOR

PLAN & ELEVATIONS

Scale: 1:1 @ A1

Drawn by: PAB

Checked by:

Date: 19/07/11

DRG No: BS1006/1

Bowman Stor Ltd

Unit 25 Maybrook Road
Brownhills
Walsall
WS8 7DG
Tel: +44 (0) 1543 379212
Fax: +44 (0) 1543 379213
John@bowmanstor.com

Figured dimensions to be taken in preference to scaled dimensions, if in doubt, contact Bowman Stor Ltd. The copyright of the design depicted in this drawing is the property of Bowman Stor Ltd and must not be reproduced without prior consent.