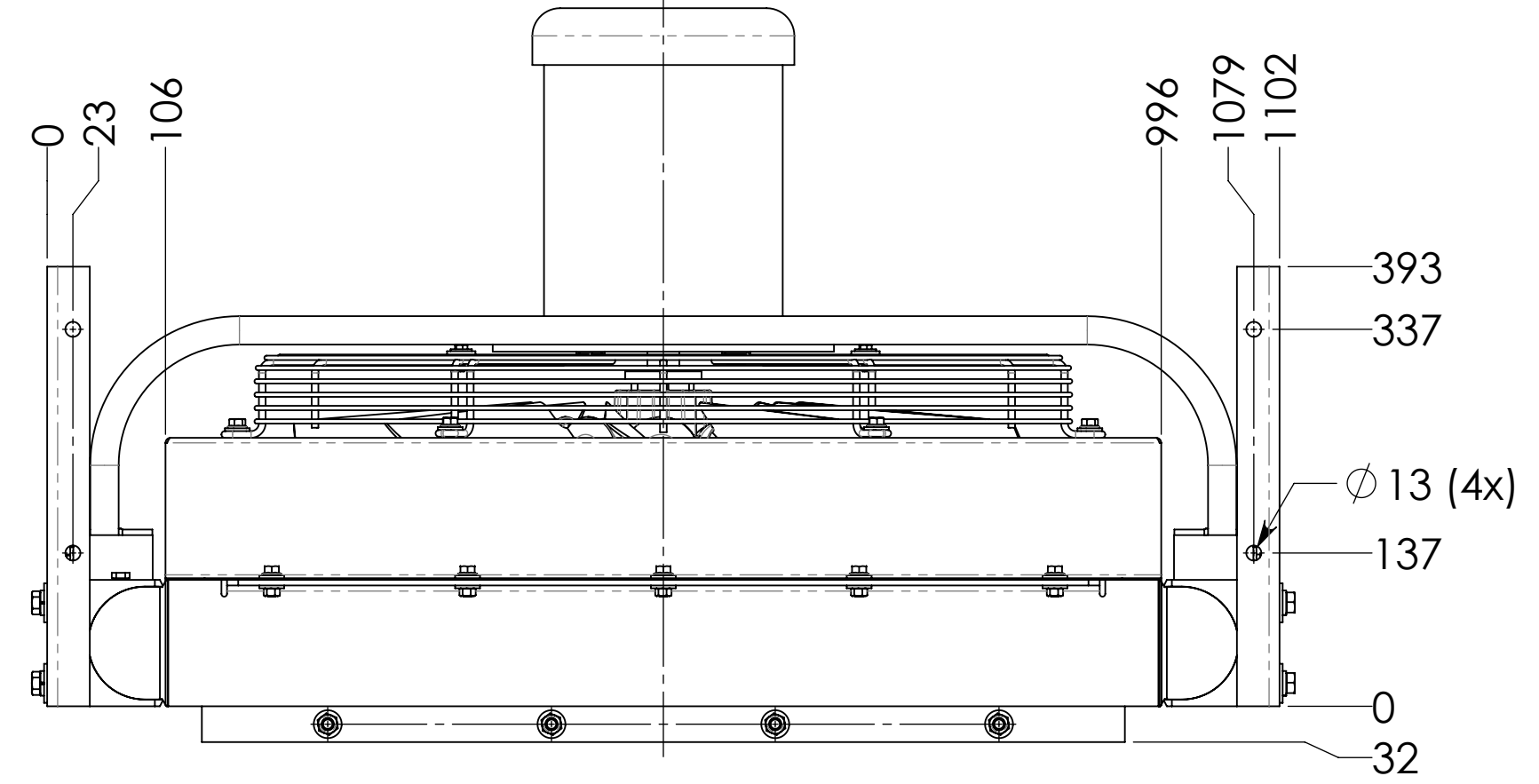
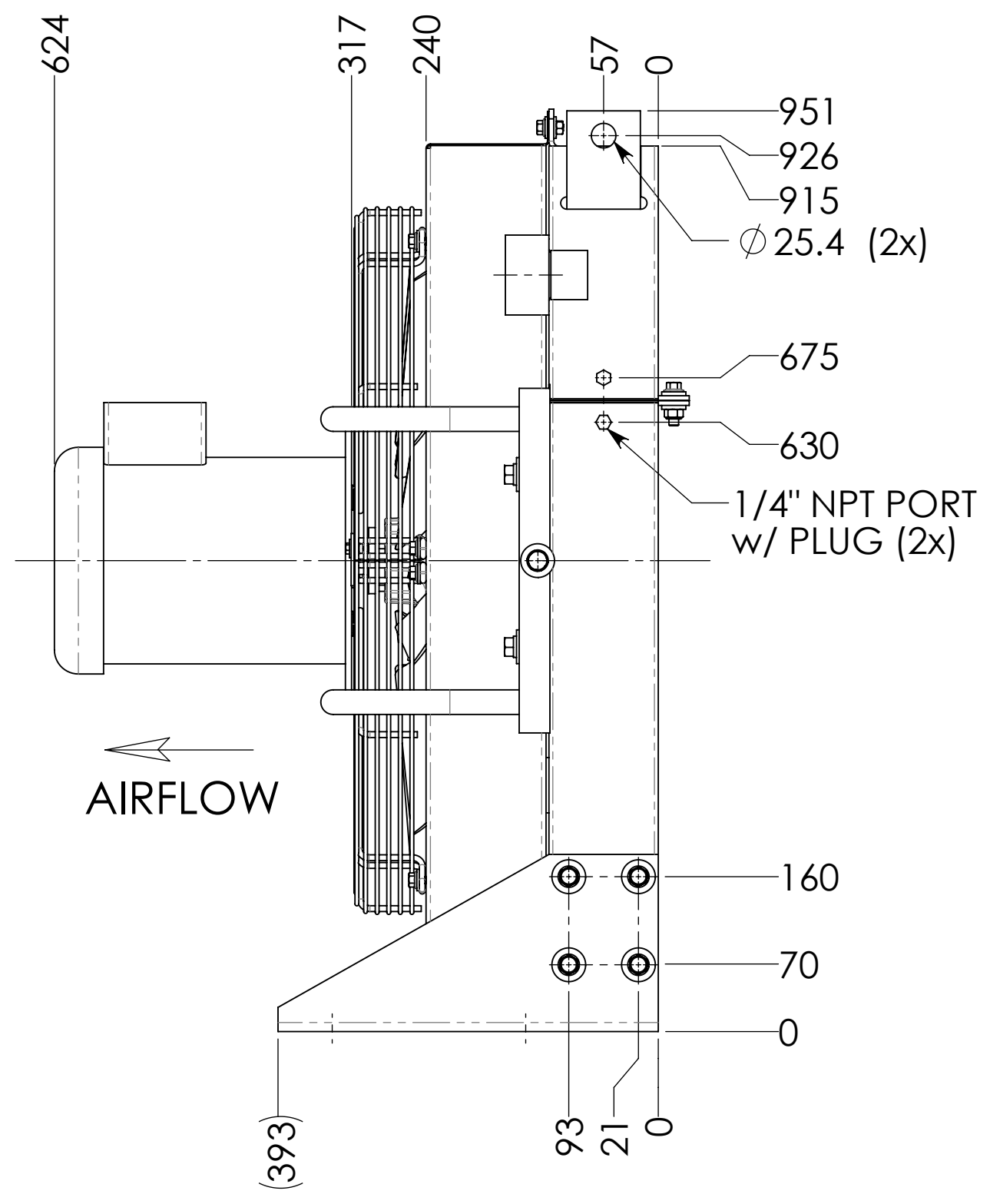
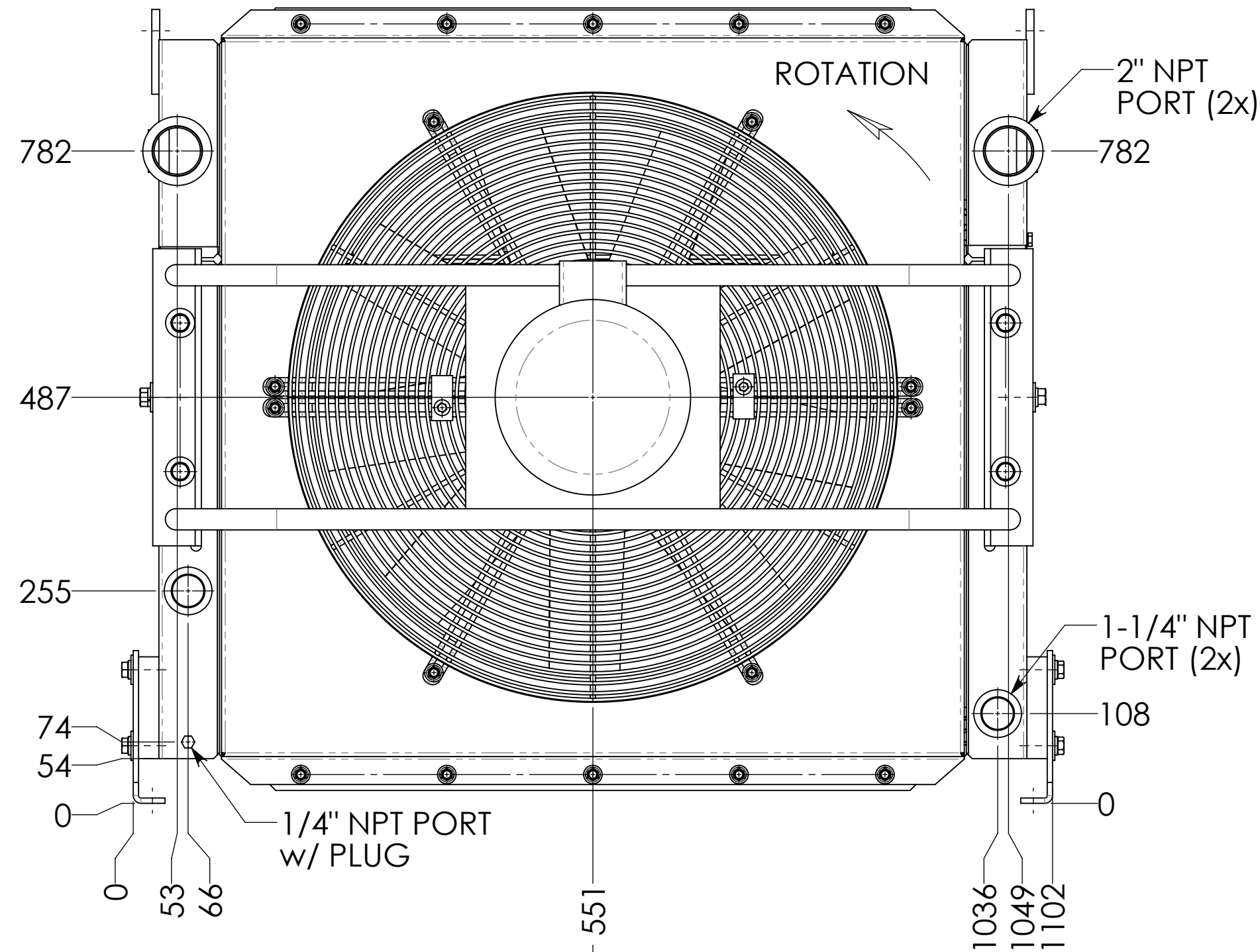


REVISION				
REV.	ECN	DESCRIPTION	DATE	DESIGNER
E		Redrawn in SolidWorks	11/12/2012	Nance



Work Pressure (psi) (Max)	250
Test Pressure (psi) (Max)	435
Max Temperature (°F)	250
Paint	BLACK
Part No:	X-AOC125-3

UNLESS OTHERWISE SPECIFIED
 1. Dimensions are mm.
 2. All dimensions are reference unless tolerance is specified.



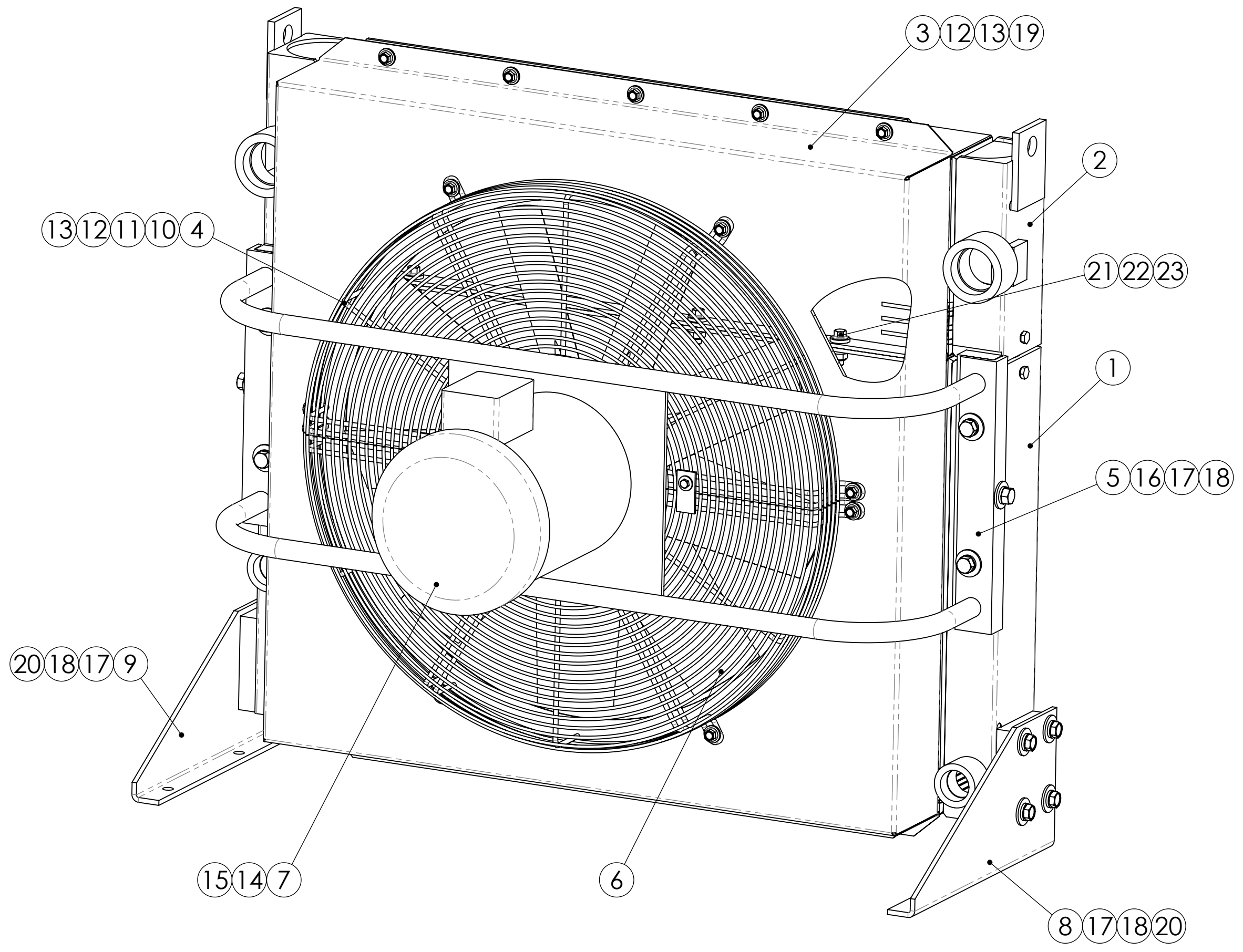
THE INFORMATION HEREON IS THE PROPERTY OF NANO-PURIFICATION SOLUTIONS. ANY COPYING OR TRANSMITTAL WITHOUT PERMISSION FROM NANO-PURIFICATION SOLUTIONS IS PROHIBITED.

DRWN BY:	Isley
DATE:	12/04/98
ENGR:	White

H#	X-AOC125-3
8K ; "BC"	3703.057.0000
D5; 9.	1 of 2
F 9J "	E



REVISION				
REV.	ECN	DESCRIPTION	DATE	DESIGNER
-	-	See Sheet1	-	-



23	16	603832	FLW M10 X 25mm OD WZ
22	8	8049.092.0000	NUT, NYLOCK - M10 x 1.5 CAT#8T0389
21	8	8050.024.0000	BLT HX FLG M10X1.5 X 35mm CL10.9 ZTR
20	8	8050.107.0000	BLT HX HD M12x1.75 X 25mm CL8.8 ZTR
19	10	8049.033.0000	NUT- FLGHD (5/16"-18UNC)
18	14	8054.042.0000	FLW 1/2 X 1-3/8" OD GR5 ZTR
17	14	8054.043.0000	LKW SPR 1/2" X .869" OD GR2 ZTR
16	6	8050.043.0000	1/2"-13 HEX BOLT
15	4	8054.006.0000	FLW 3/8 X 1" OD GR8 ZTR
14	4	8050.038.0000	BLT HX FLG SRRT 3/8-16 X 1" GR5 ZTR
13	18	8050.034.0000	BLT HX FLG SRRT 5/16-18 X 3/4" GR5 ZTR
12	28	8054.033.0000	FLW 5/16 X 7/8" OD GR5 ZTR
11	2	8054.019.0000	FLW M6 X 19mm OD CL8.8 ZTR
10	2	8050.011.0000	BLT HX HD M6x1 X 20mm GR5 ZTR
9	1	3703.021.0002	Left Mounting Bracket
8	1	3703.021.0001	Right Mounting Bracket
7	1	8407.112.4007	Motor 5HP;184TC;3PH;1725 RPM TEFC
6	1	8400.164.0026	Fan, 26" Diameter
5	1	3703.021.0060	Motor Mount Bracket
4	1	1872.017.4030	FAN GUARD - 2 PC. (27" FAN)
3	1	3703.021.4010	SHROUD
2	1	3703.057.5000	AC125-C COOLER
1	1	3703.057.1000	OC125-C COOLER
ITEM NO.	QTY.	PART NUMBER	DESCRIPTION

Work Pressure (psi) (Max)	250
Test Pressure (psi) (Max)	435
Max Temperature (°F)	250
Paint	BLACK
Part No:	X-AOC125-3

UNLESS OTHERWISE SPECIFIED
 1. Dimensions are mm.
 2. All dimensions are reference unless tolerance is specified.



THE INFORMATION HEREON IS THE PROPERTY OF NANO-PURIFICATION SOLUTIONS. ANY COPYING OR TRANSMITTAL WITHOUT PERMISSION FROM NANO-PURIFICATION SOLUTIONS IS PROHIBITED

DRWN BY:	Isley
DATE:	12/04/98
ENGR:	White

H#H@9

X-AOC125-3

8K ; "BC" **3703.057.0000** F 9J "

D5; 9. 2 of 2 **E**