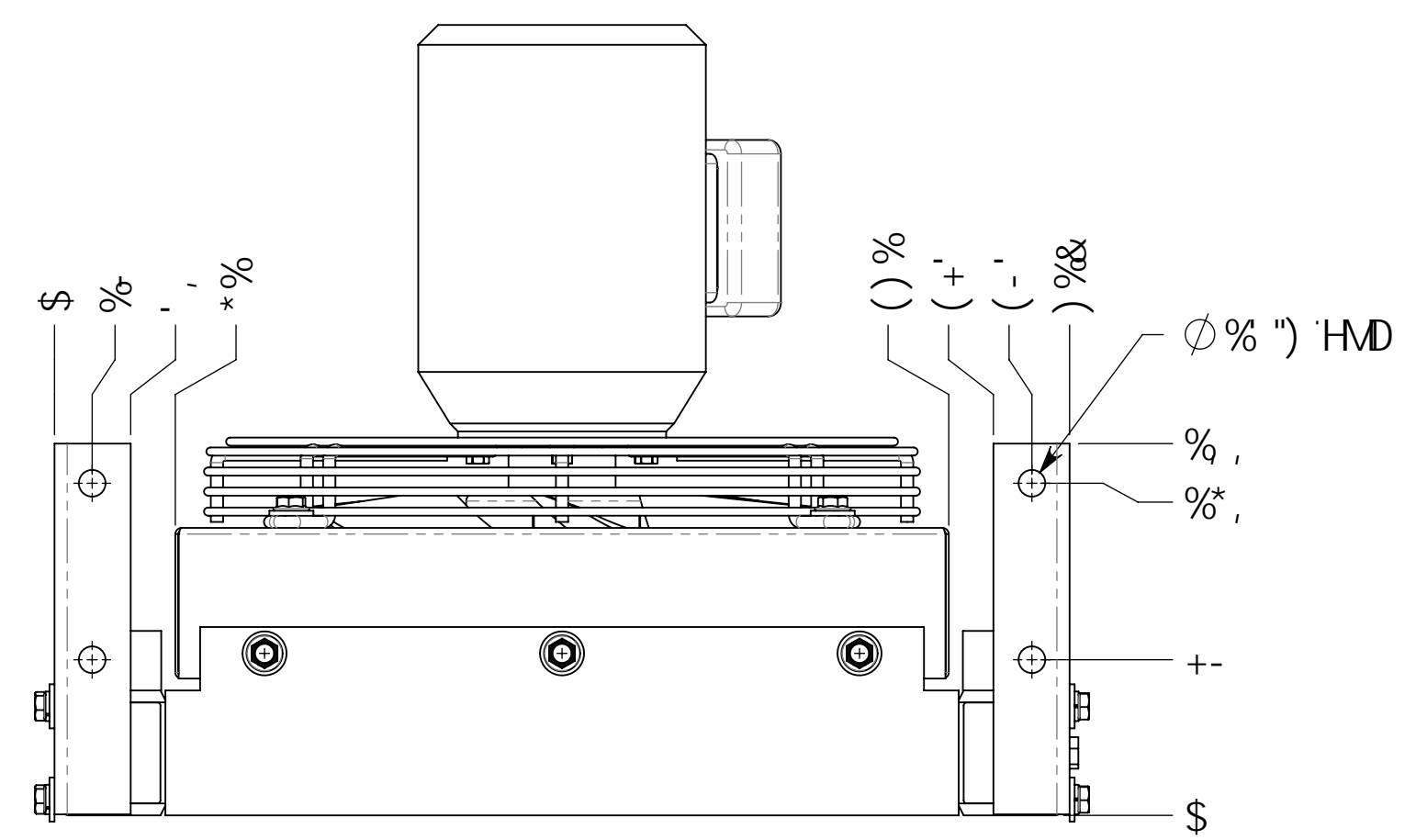
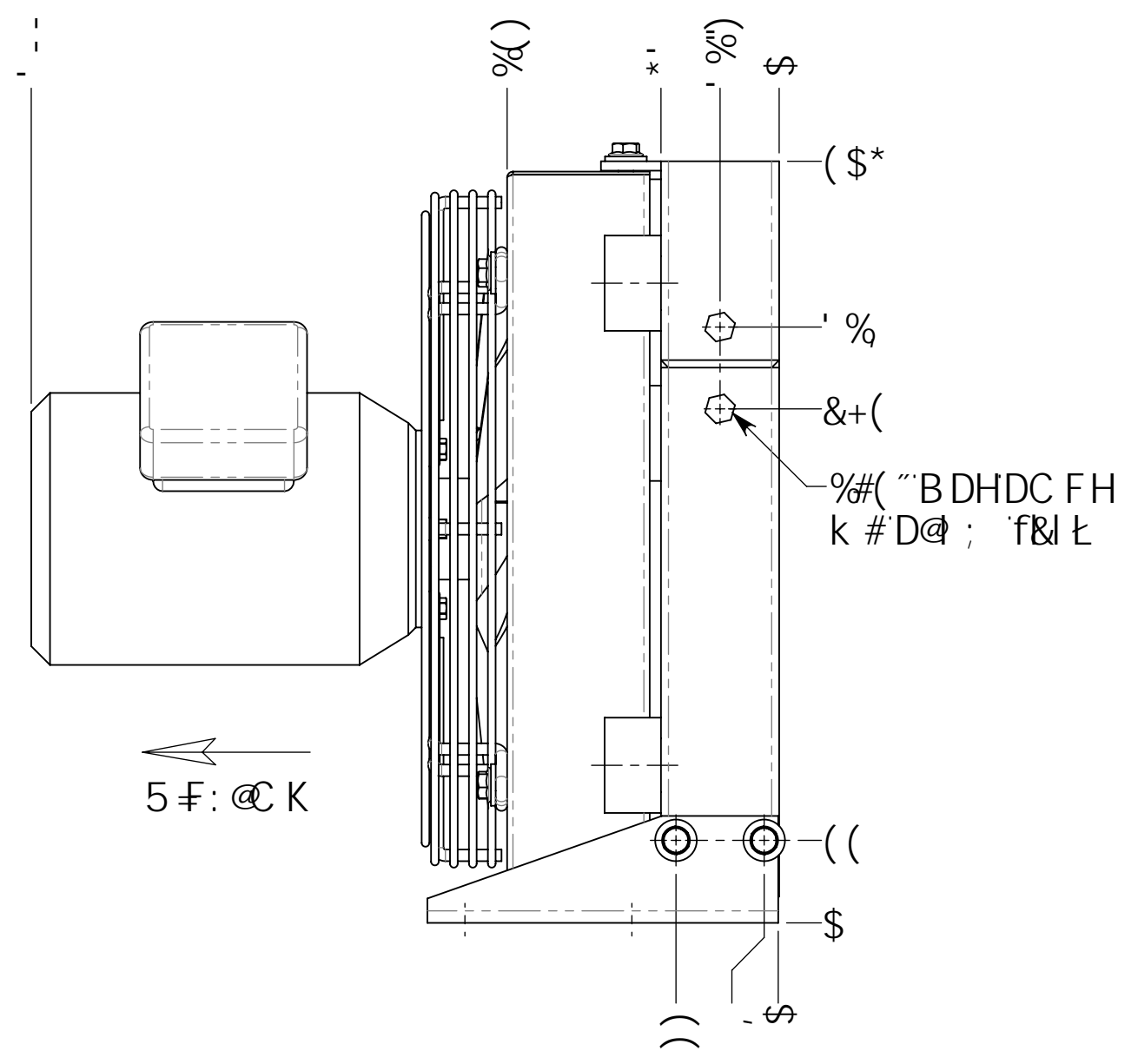
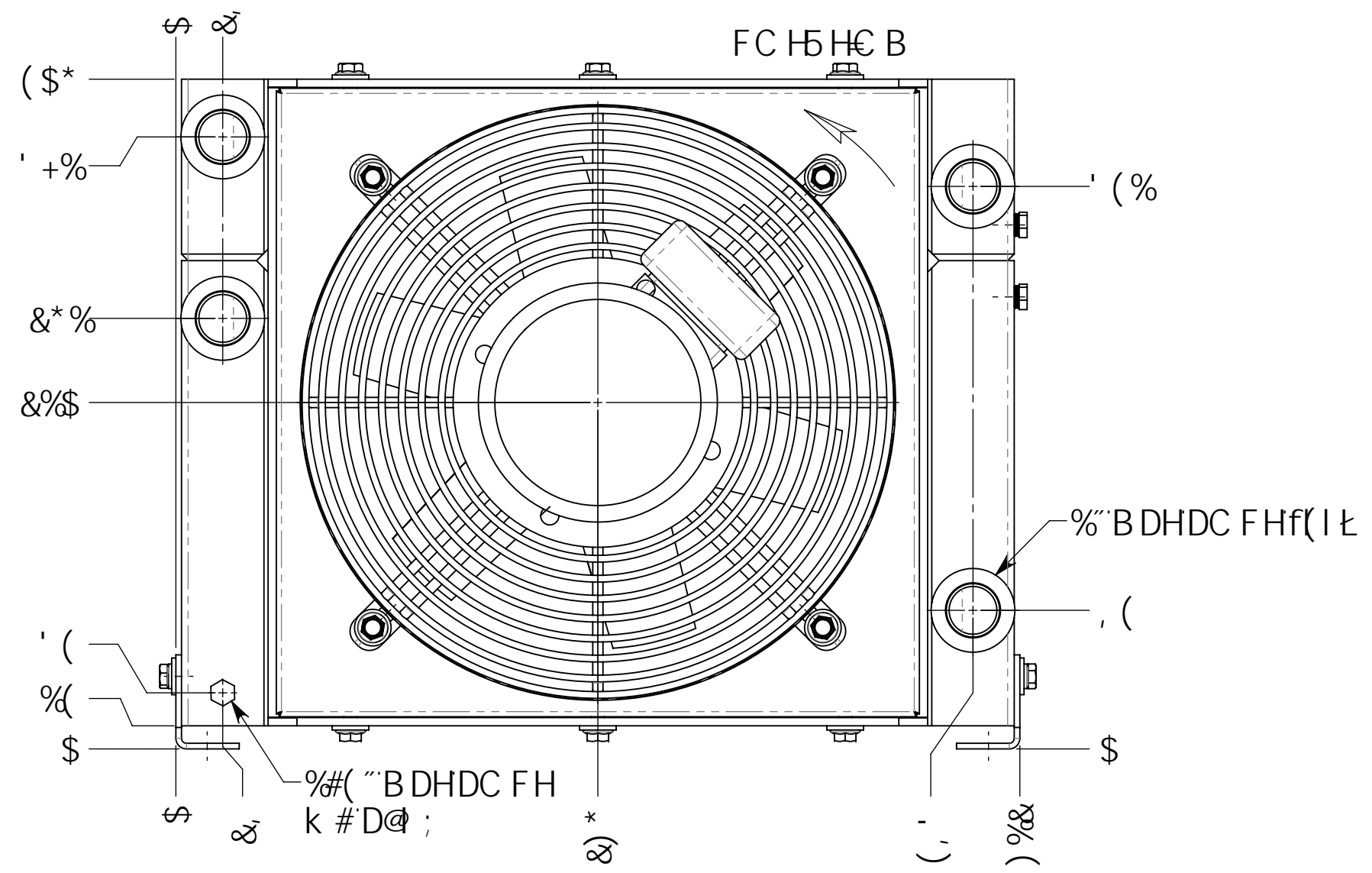


F9J GCB		89G7 F-DHC B	85H9	89G7 B9F
F9J "	97 B	FYXfUk b]b Gc]XK cf_g	&#%\$#&\$%&	B U b W
9				



BC H9G 'I B @GG' C Hk 9FK -G9'GD97 ÷ 98
 %" 8 A 9B G€ BG'5F9'a a



K cf_ DfYgg fy fdl: fA UI t	&) \$	I B @GG' C Hk 9FK -G9'GD97 ÷ 98% " 8]a YbgjcbgUfy 'a a "&" 5 " X]a YbgjcbgUfy 'fY ZYfybW' i b Ygghc YfubW']gdYWZYX"
H'ghDYgg fy fdl: fA UI t	% \$	
A UI 'H'a dYfUH fy f& t	&) \$	
DU]bh	6@7?	
DUfhBc.	X-5C 7 %!'	

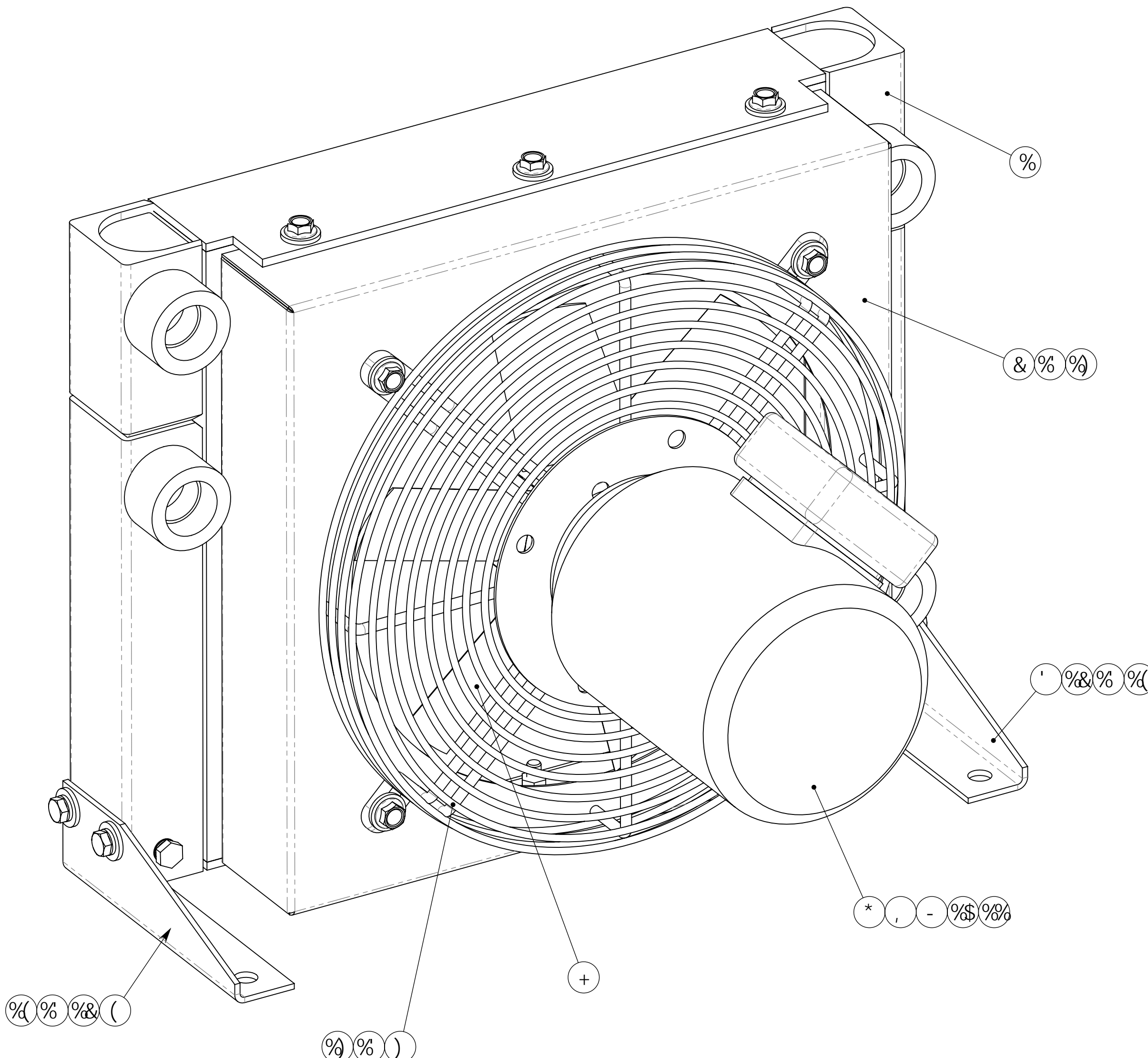
nano
 www.nano-purification.com

THE INFORMATION HEREON IS THE PROPERTY OF NANO-PURIFICATION SOLUTIONS. ANY COPYING OR TRANSMITTAL WITHOUT PERMISSION FROM NANO-PURIFICATION SOLUTIONS IS PROHIBITED

8FK B '6M	gYm
85H9.	%#, #-
9B; F.	K \]h

H#@9		X-5C 7 %!'
8K ; "BC"	' +\$' "\$) - "\$\$\$\$	
D5; 9.	%cZ&	F9J "
		9

F9J GCB				
F9J "	97 B	89G7 F-ĐHC B	85HĐ	89G# B9F
!	!	GY'G\YYH%	!	!



%	%\$, \$) "\$%-\$\$\$\$\$	6@H<L':@ 'A , L%&)' L'&) a a '7 @\$'- 'MN
%{	(, \$) (" '\$' ("\$\$\$\$) #/%* "'GhX" @W_K Ug\Yf
%	%{	, \$) (" '\$' ' "\$\$\$\$\$: @K ') #/%* 'L' +#, "'C8'; F) 'NF
%&	(* \$\$\$- &	<YI ' <YUX '6c'h'A , l%' '! , , '5' 6
%%)	, \$) (" % "\$\$\$\$\$	A * @W_K Ug\Yf'fNbt
%\$)	, \$) (" (% "\$\$\$\$\$: @K 'A * 'L' %&a a 'C8'7 @\$'- 'MN75H_ -L, &)*
-	(' +\$' "&)" \$\$\$,	6@H<L':@ 'GFFHA *!'l' &\$a a
,	%	' +\$' "&)" \$\$\$*	6@H<L':@ 'GFFHA)!' , l' %&a a
+	%	, (\$ \$"% "\$\$\$\$&	: Ub '%%+)!' !&@DD; !' \$56< '%(a a 'L') a a
*	%	, (\$ + "%%) (" \$\$\$	A c'c'f' #&< Dž8 + %7 ž' D< ž' () \$ FDA 'HĐ: 7
)	%	' +\$' "%)" (" '\$' \$:]b[Yf[i UfX
(%	' +\$' "\$&' "\$\$\$\$	@ZnA ci bh]b['6fUW_Yh
'	%	' +\$' "\$&' "\$\$\$\$	F][\hA ci bh]b['6fUW_Yh
&	%	' +\$' "%)" (" '\$' \$	G\fc i X
%	%	' +\$' "\$) - "%\$\$\$\$	X-5C 7 %)!7 '7 cc'Yf5gg\ya V'm
#DA BC "	E HM	D5FHBI A 69F	89G7 F-ĐHC B

K c f_ dYgg fy fd gl: fA UI E	&) \$	I B @GG' C H- 9FK G9'GD97 ÷ 98
H\ghDYgg fy fd gl: fA UI E	%- \$%"8]a Ybg]c bg'Ufy 'a a "
A UI 'H'a dYfUH fy fB E	&) \$&"5 "X]a Ybg]c bg'Ufy'
DU]bh	6@57?fY ZYfybW' i b Ygg
DUfhBc.	X-5C 7 %)!hc YfubW']gd'YWZYX"

nano
www.nano-purification.com

THE INFORMATION HEREON IS THE PROPERTY OF NANO-PURIFICATION SOLUTIONS. ANY COPYING OR TRANSMITTAL WITHOUT PERMISSION FROM NANO-PURIFICATION SOLUTIONS IS PROHIBITED.

8FK B 6M gYm
85HĐ %#, #-
9B; F. K \jY

H#H@9

X-5C 7 %)!

8K ; "BC" F9J"
' +\$' "\$) - "\$\$\$\$ 9
D5; 9. &cZ&