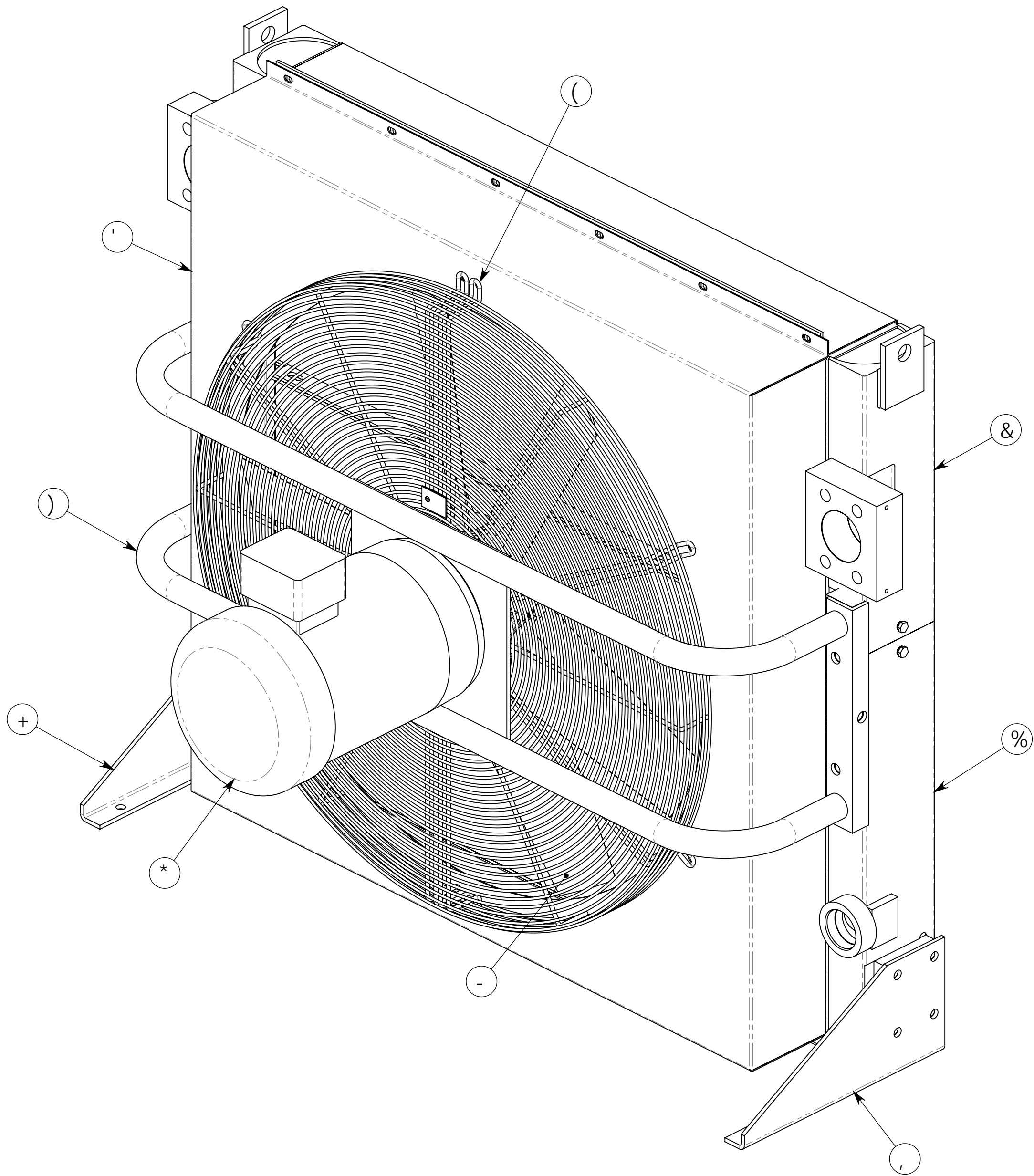


F9J GC B				
F9J "	97 B	89G7 F DHC B	85H9	89G B9F
!	!	GYGYYH%	!	!



-	%	, (\$\$% - "\$\$')	: Ub') ~8]Ua YHf
,	%	' +\$' "\$&%\$\$\$\$%	F][\hA ci bh]b['6fUW_Yh
+	%	' +\$' "\$&%\$\$\$\$&	@ZhA ci bh]b['6fUW_Yh
*	%	, (\$+"%%" (" \$\$,	9YWf]WA chcf
)	%	' +\$' "\$") "\$*\$	A chcfA ci bh
(%	')' "\$\$- (" '\$ \$:]b[Yf[i UfX' " *~X]U
'	%	' +\$' "\$") (" \$%%	: Ub'G\fc i X'<ci gb[
&	%	' +\$' "% - ") \$\$\$	5Z\YfWc'Yf5ggYa V'm
%	%	' +\$' "%* - "%\$\$\$	C]'7cc'Yf5ggYa V'm

#9A 'BC "	E HM	D5FHBI A 69F	89G7 F DHC B
-----------	------	--------------	--------------

K cf_ DfYgj fy fd gl: fA UI t	&) \$	I B @GG' C H: 9FK G9'GD97 ÷ 98% "8]a Ybg]cbgUfy 'a a "&"5 ~X]a Ybg]cbgUfy 'fY ZYfybW' i bYgghc YfubW']gdYWZYX"
H'ghDYgj fy fd gl: fA UI t	% \$	
A UI 'H'a dYfUH fy fB t	&) \$	
DU]bh	6@7?	
DUfhBc.	!	



www.nano-purification.com

THE INFORMATION HEREON IS THE PROPERTY OF NANO-PURIFICATION SOLUTIONS. ANY COPYING OR TRANSMITTAL WITHOUT PERMISSION FROM NANO-PURIFICATION SOLUTIONS IS PROHIBITED

8FK B'6M

A U[Ub

85H9.

%#%+#\$*

9B: F.

GmXbcf

H+@9

X-5C 7!&) \$!'

8K ; "BC"

' +\$' "%* - "\$\$\$\$

D5; 9.

&cZ&

F9J "

5