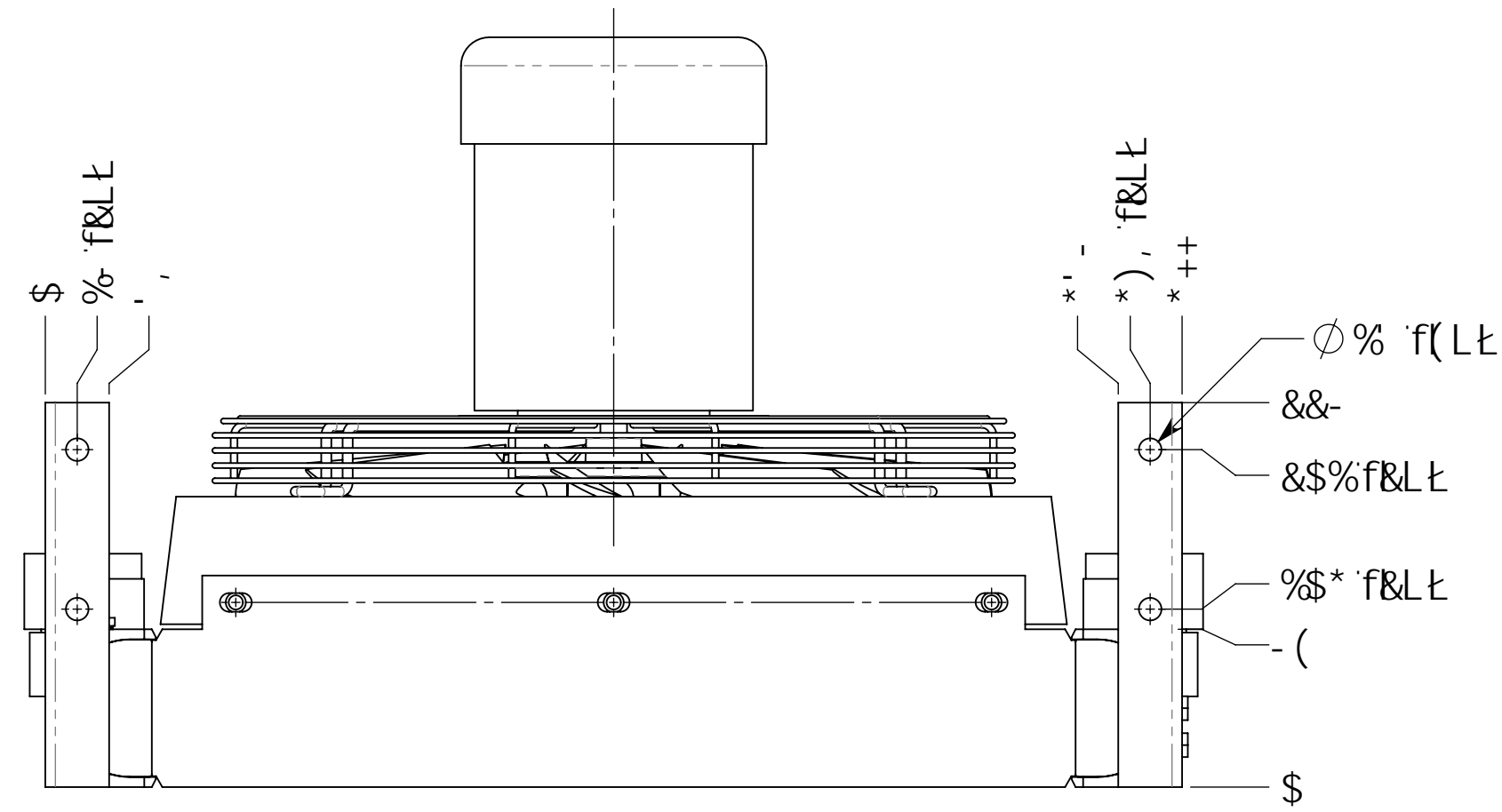
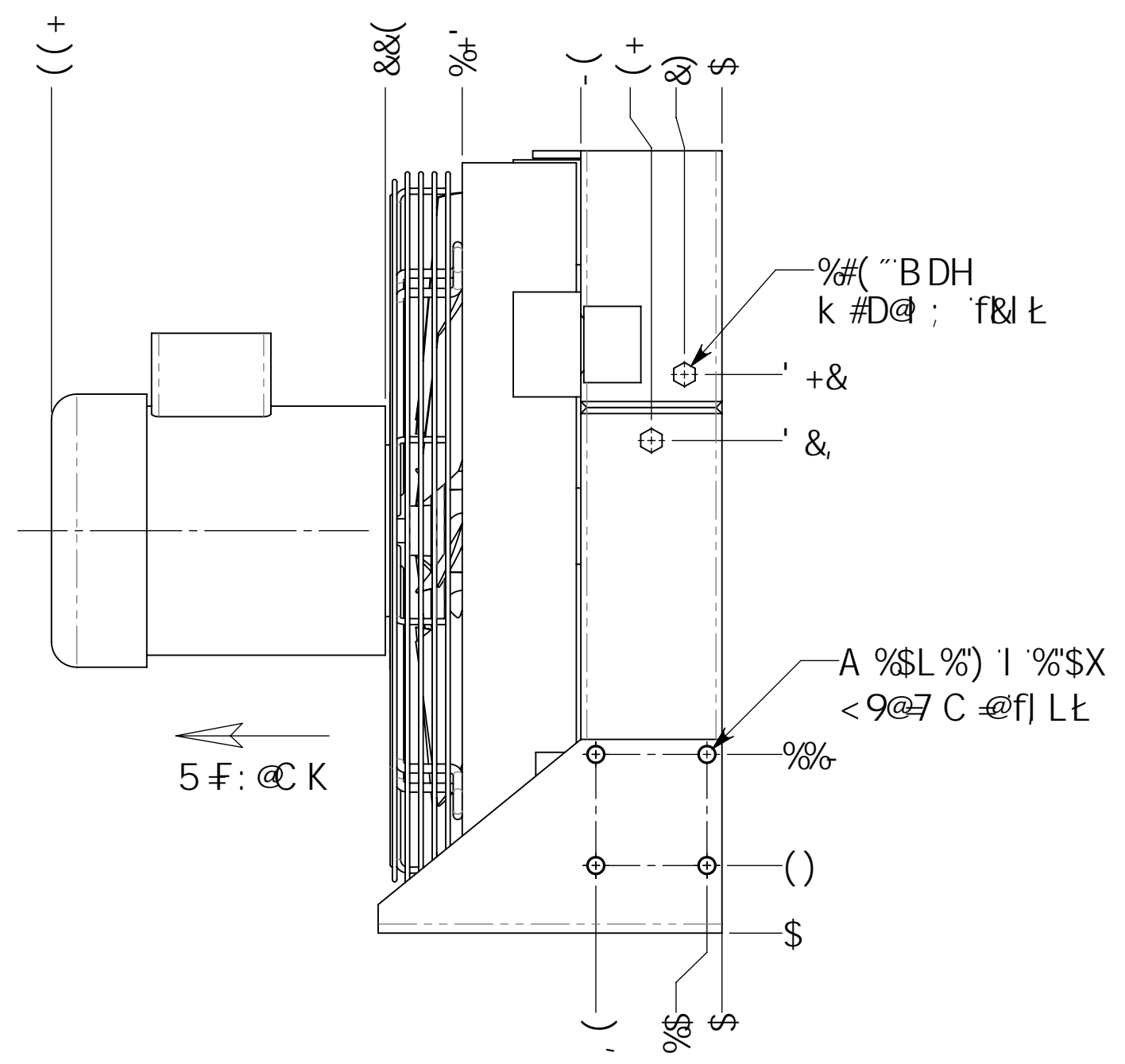
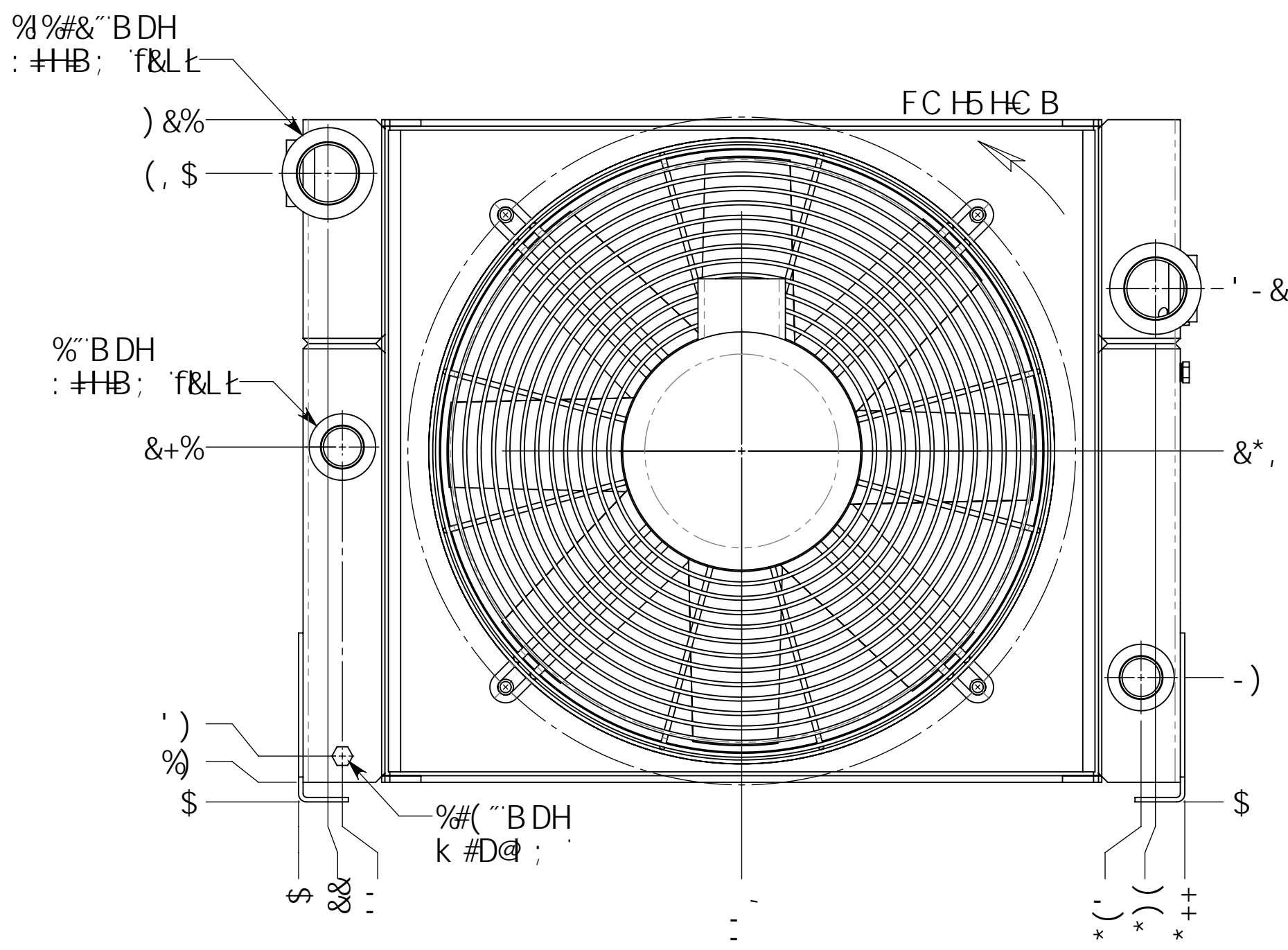


F9J G€B		89G7 F=DHC B	85H9	89G≠ B9F
F9J "	97 B	F98F5K B 'B GC @8K CF?G	%\$#) #&\$%%	A 5FHB
8	!			



BC H9G
% I B @9GG'C H-9FK €9'GD97 ÷ 98
.....8 A 9BG€ BG'5F9'B A A

K c f_ DfYgj fy f&L t fA U l t	&) \$
H y g h DfYgj fy f&L t fA U l t	' * \$
A U l ' H r a d Y f u h fy f&L t	&) \$
DU]bh	6@7?
DUfhBc.	X-5C 7' \$!

I B @GG'C H-9FK €9'GD97 ÷ 98
....."8]a YbgjcbgUfy 'a a "
.....&"5 "X]a YbgjcbgUfy'
.....fY ZYfybW 'i b Ygg
.....hc YfubW 'jgdYWZYX"

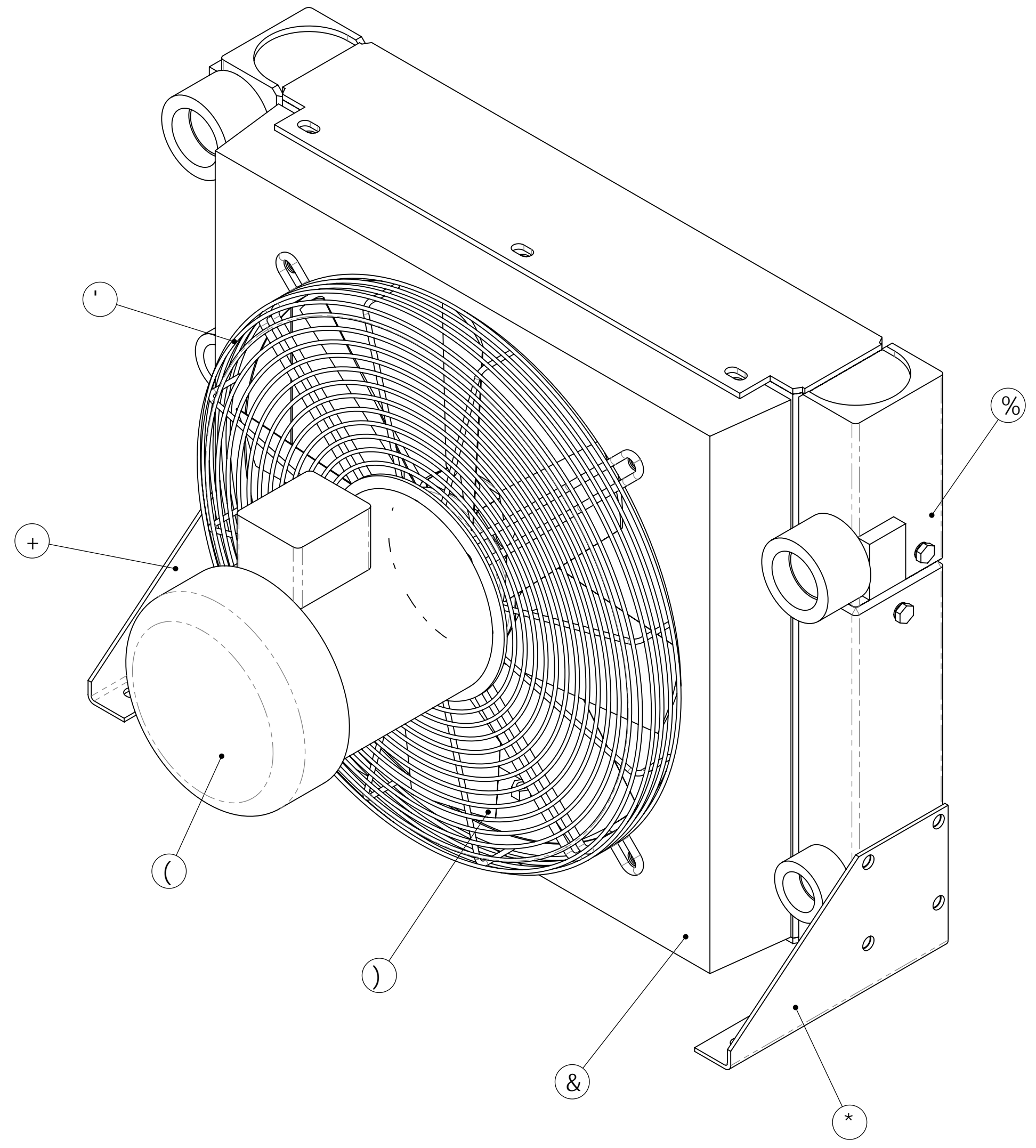
nano
www.nano-purification.com

THE INFORMATION HEREON IS THE PROPERTY OF NANO-PURIFICATION SOLUTIONS. ANY COPYING OR TRANSMITTAL WITHOUT PERMISSION FROM NANO-PURIFICATION SOLUTIONS IS PROHIBITED

8FK B '6M	gYm
85H9.	%&#&%#- ,
9B; F.	K \jY

H#@9	X-5C 7' \$!
8K ; "BC"	' +\$' "\$), "\$\$\$\$
D5; 9.	%cZ&
F9J "	8

F9J GCB				
F9J "	97 B	89G7 F DHC B	85H9	89G# B9F
!	!	GYG\YYH%	!	!



+	%	' +\$' "\$&("\$\$\$\$	6F57?9H! A C I BHB; f!@. HG-89L
*	%	' +\$' "\$&("\$\$\$\$%	A ci bh]b['6fUW_Yhff][\h
)	%	, (\$\$"%&, "\$\$%	: Ub %+"+&"
(%	, (\$+"%&(" %&&	@Ygc b'A c h c f%#&<D) * 7 / D< /%+&) FDA 'H9: 7
'	%	') (&"\$' ' ' (\$' \$	% "' : Ub[i UfX
&	%	% +&" , &' (\$%\$	G\fc i X '5ggYa V`m
%	%	' +\$' "\$), "%\$\$\$\$	X-5C 7' \$!7
#DA BC"	E HM	D5FHBI A 69F	89G7 F DHC B

K c f_ DfYgj fy fd gl: fA UI L	&) \$	I B @GG' C H: 9FK G9'GD97 ÷ 98% "8]a YbgjcbgUfy 'a a "&" 5 "X]a YbgjcbgUfy 'fY ZYfybW i bYgghc YfubW 'jgdYWZYX"
H\ghDYgj fy fd gl: fA UI L	' * \$	
A UI 'Hra dYfUH fy fB L	&) \$	
DU]bh	6@57?	
DUfhBc.	X-5C 7' \$!'	

nano
www.nano-purification.com

THE INFORMATION HEREON IS THE PROPERTY OF NANO-PURIFICATION SOLUTIONS. ANY COPYING OR TRANSMITTAL WITHOUT PERMISSION FROM NANO-PURIFICATION SOLUTIONS IS PROHIBITED

8FK B 6M	gYm
85H9.	%&#&%#- ,
9B; F.	K \jY

H#H@9		X-5C 7' \$!'
8K ; "BC"	' +\$' "\$), "\$\$\$\$	
D5; 9.	&cZ&	F9J" 8