

Work Pressure (psi) (Max)	250
Test Pressure (psi) (Max)	190
Max Temperature (°F)	250
Paint	BLACK
Part No:	X-AOC350-3

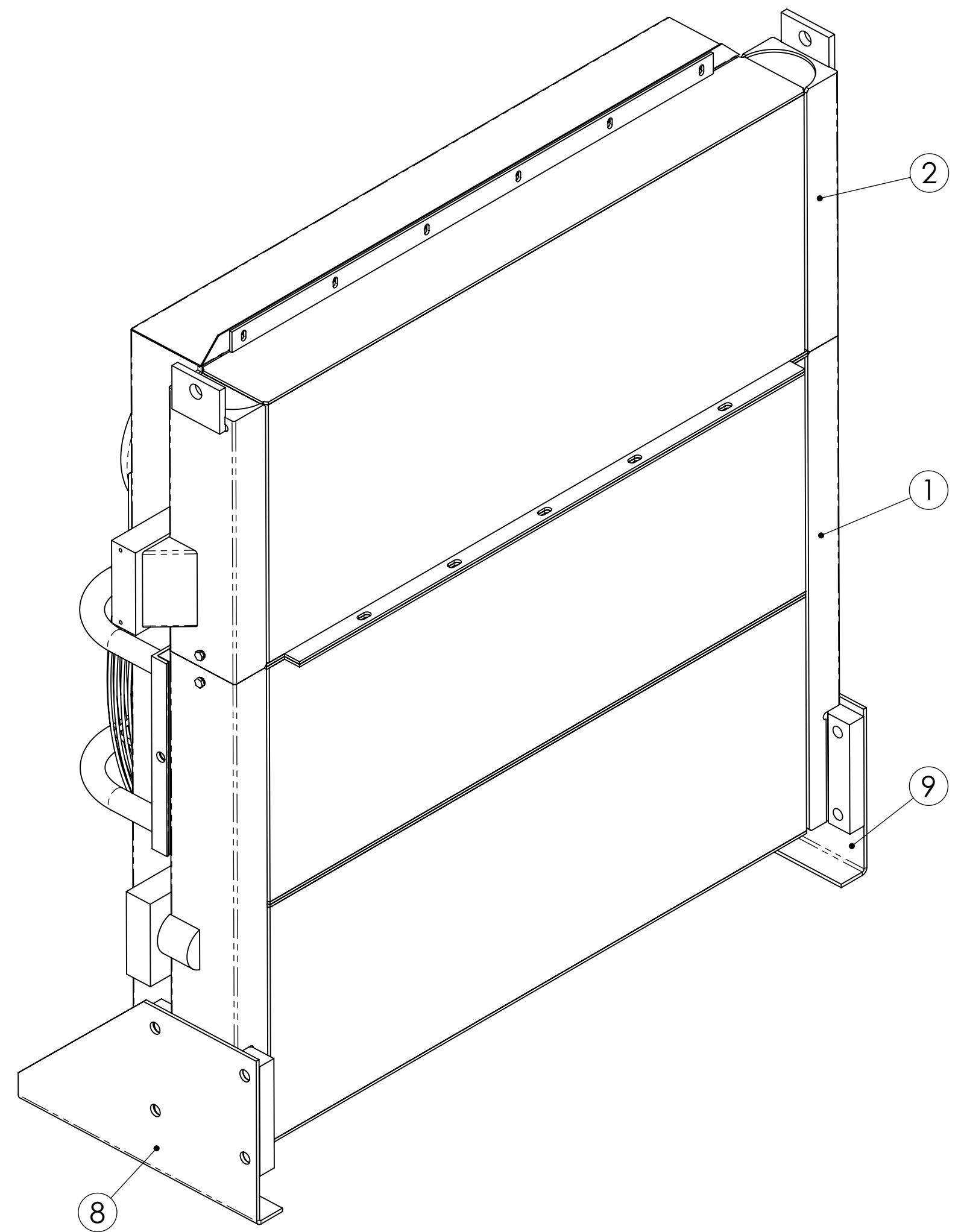
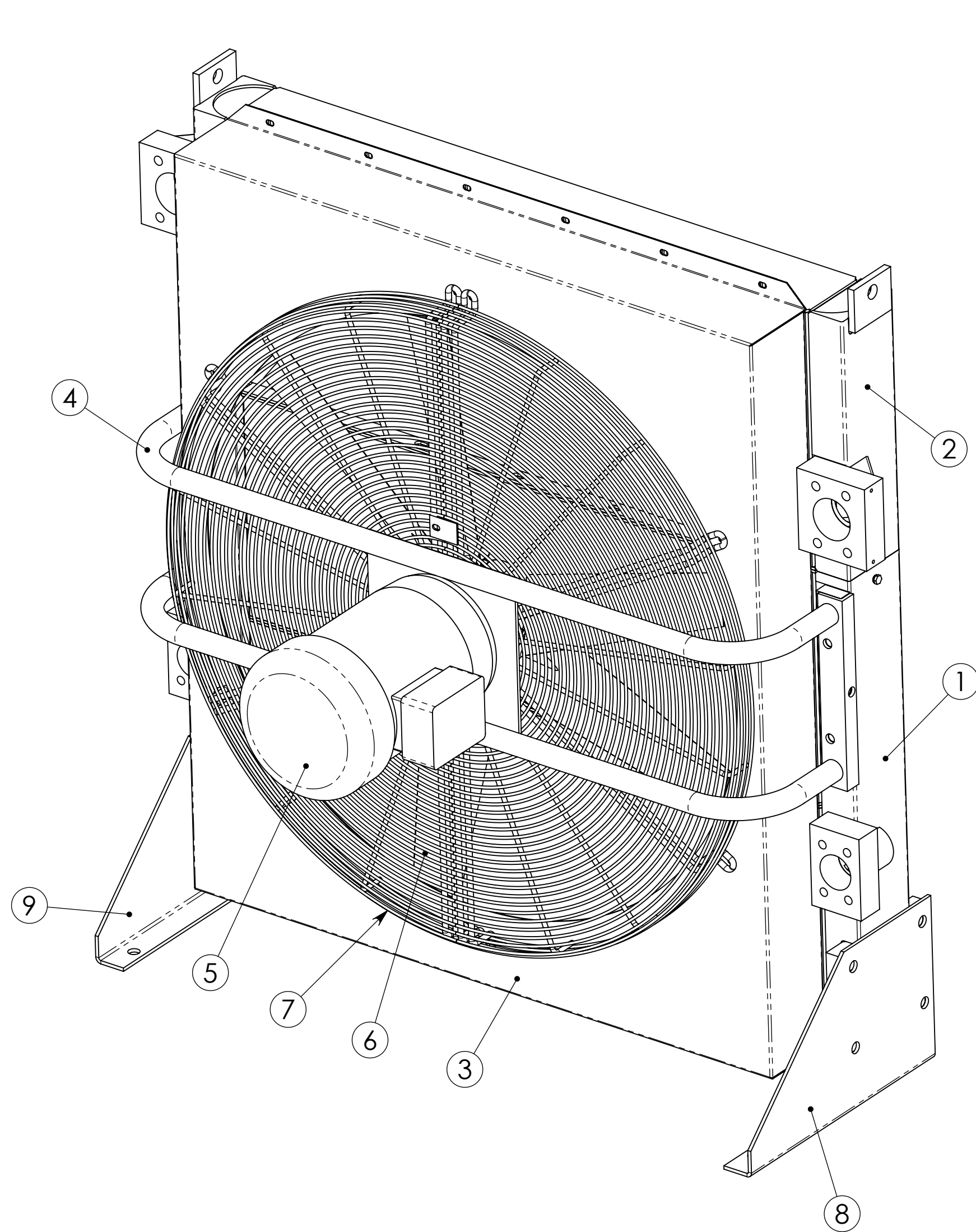
UNLESS OTHERWISE SPECIFIED  
 1. Dimensions are mm.  
 2. All dimensions are reference unless tolerance is specified.



THE INFORMATION HEREON IS THE PROPERTY OF NANO-PURIFICATION SOLUTIONS. ANY COPYING OR TRANSMITTAL WITHOUT PERMISSION FROM NANO-PURIFICATION SOLUTIONS IS PROHIBITED

DRWN BY:	Nance
DATE:	11/01/07
ENGR:	Nance

TITLE	X-AOC350-3	
DWG. NO.	3703.249.0000	REV. -
PAGE:	1 of 2	



9	1	3703.068.0002	Left Mounting Bracket
8	1	3703.068.0001	Right Mounting Bracket
7	1	3518.008.4030	44" Dia. Fingerguard
6	1	8400.144.0042	42-69-5ZL-PAG-30BRSH1-3/8 L=2.44
5	1	8407.112.4009	Motor 10 HP 215 TC
4	1	3703.068.0060	Motor Mount Assembly
3	1	3703.068.4010	Fan Shroud Housing
2	1	3703.068.4000	X-AOC-350-C
1	1	3703.073.1000	Oil Cooler Assembly
ITEM NO.	QTY.	PART NUMBER	DESCRIPTION

Work Pressure (psi) (Max)	250
Test Pressure (psi) (Max)	190
Max Temperature (°F)	250
Paint	BLACK
Part No:	X-AOC350-3

UNLESS OTHERWISE SPECIFIED  
 1. Dimensions are mm.  
 2. All dimensions are reference unless tolerance is specified.



THE INFORMATION HEREON IS THE PROPERTY OF NANO-PURIFICATION SOLUTIONS. ANY COPYING OR TRANSMITTAL WITHOUT PERMISSION FROM NANO-PURIFICATION SOLUTIONS IS PROHIBITED

DRWN BY:	Nance
DATE:	11/01/07
ENGR:	Nance

TITLE	
X-AOC350-3	
DWG. NO.	REV.
3703.249.0000	-
PAGE:	
2 of 2	