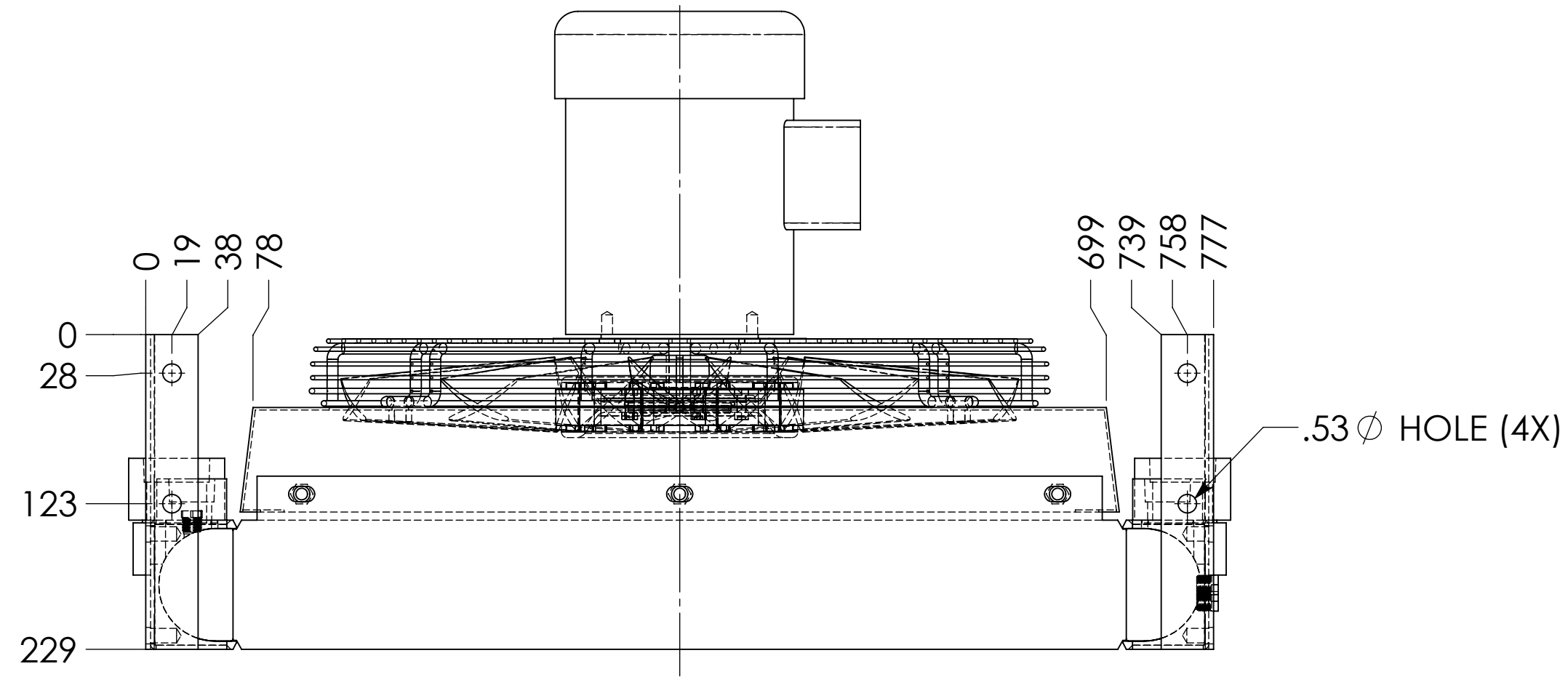
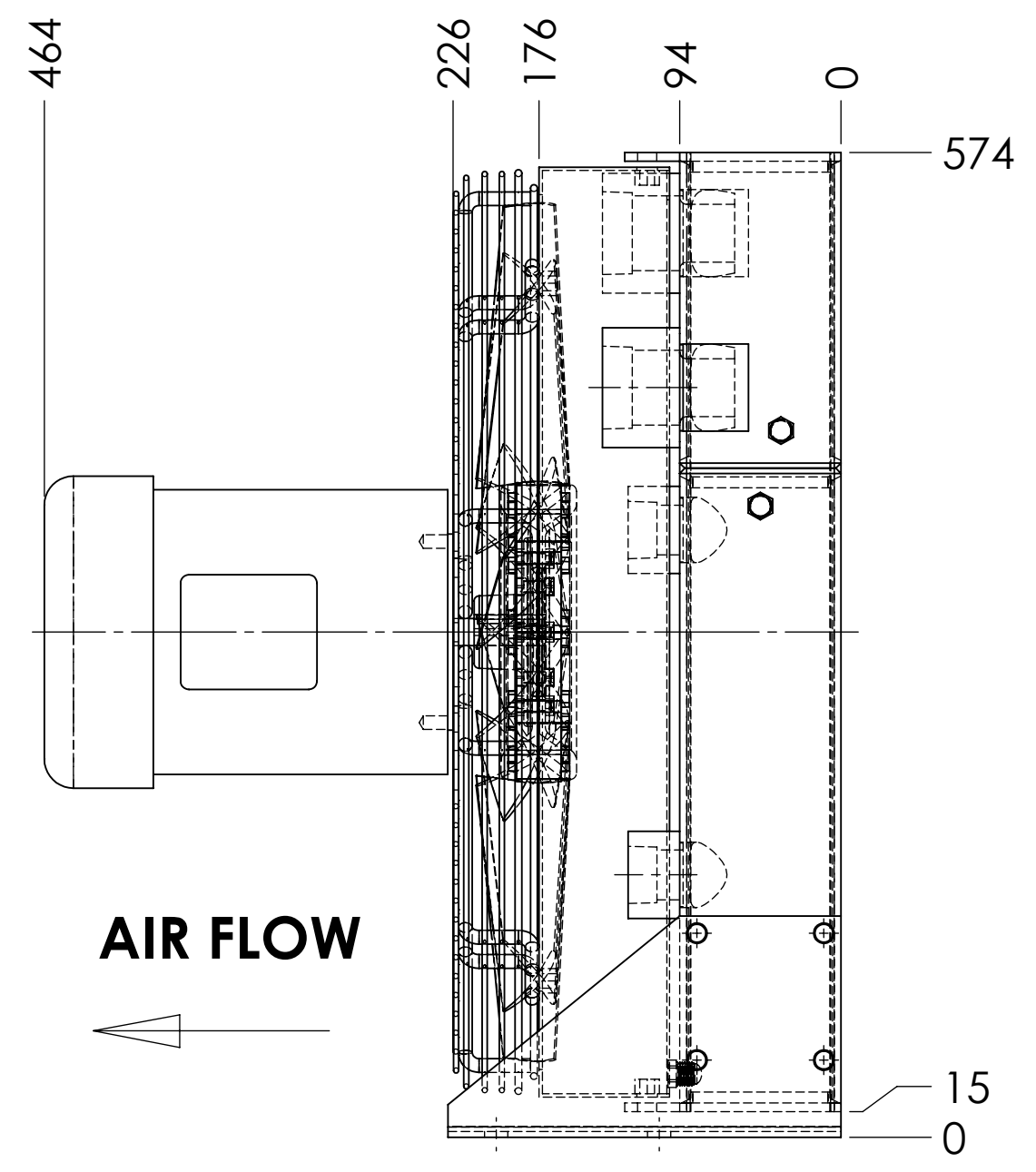
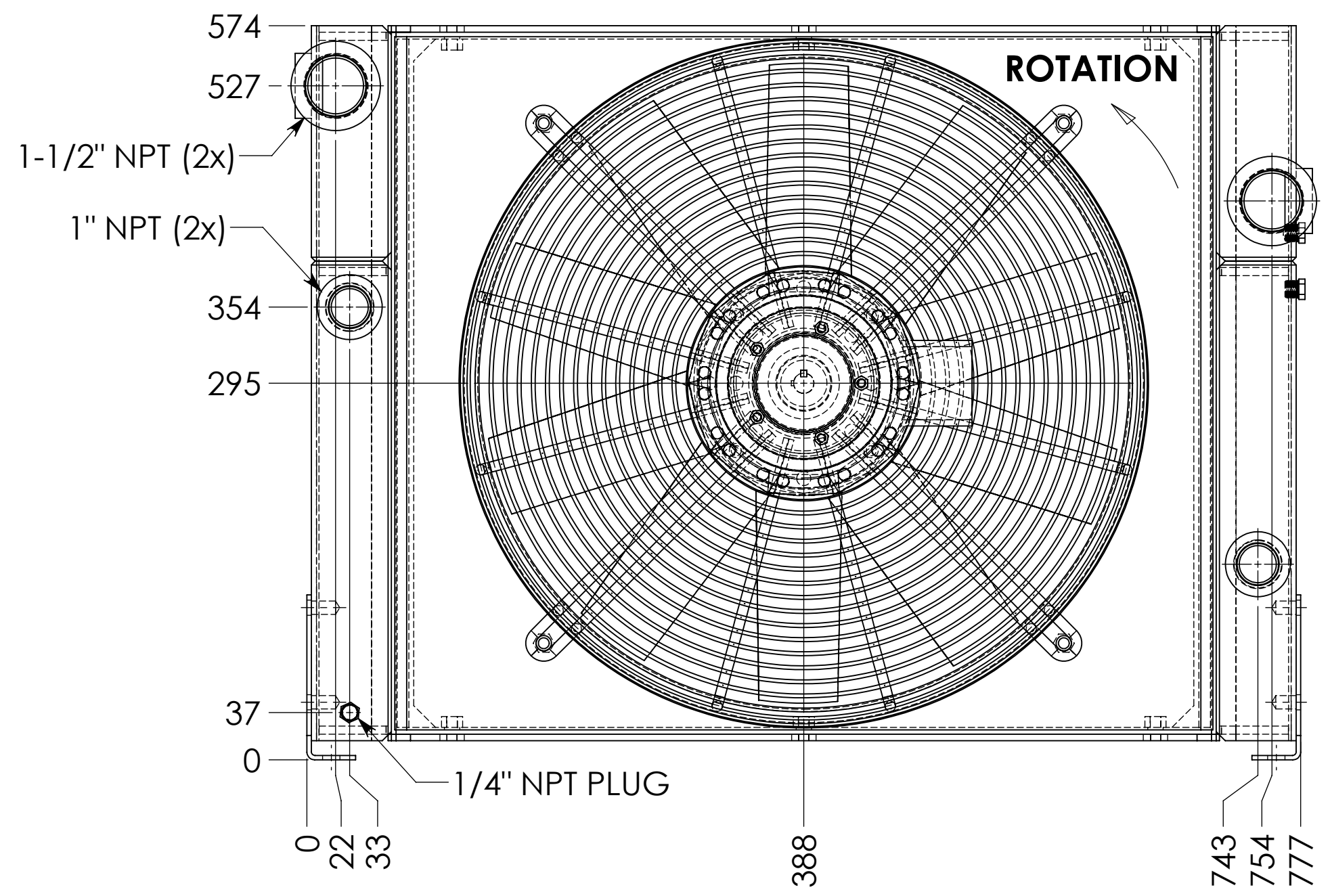


REVISION				
REV.	ECN	DESCRIPTION	DATE	DESIGNER
B		Redrawn in SolidWorks	2/26/08	Nance



Work Pressure (psi) (Max)	250
Test Pressure (psi) (Max)	190
Max Temperature (°F)	250
Paint	BLACK
Part No:	X-AOC40-3

UNLESS OTHERWISE SPECIFIED
 1. Dimensions are mm.
 2. All dimensions are reference unless tolerance is specified.

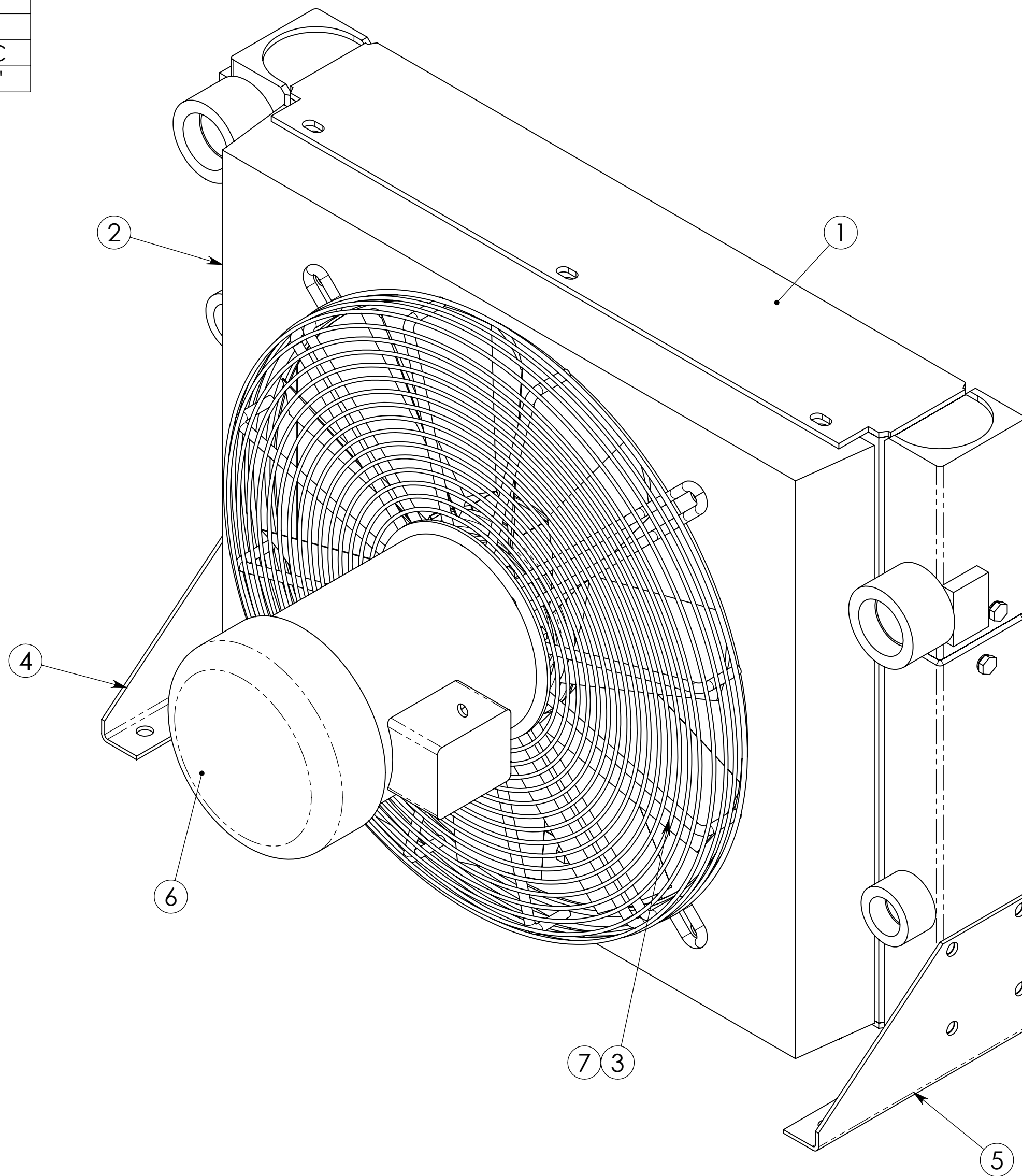


THE INFORMATION HEREON IS THE PROPERTY OF NANO-PURIFICATION SOLUTIONS. ANY COPYING OR TRANSMITTAL WITHOUT PERMISSION FROM NANO-PURIFICATION SOLUTIONS IS PROHIBITED.

DRWN BY:	Isley
DATE:	1/8/99
ENGR:	White

TITLE		X-AOC40-3	
DWG. NO.	3703.060.0000	REV.	B
PAGE:	1 of 2		

ITEM NO.	QTY.	PART NUMBER	DESCRIPTION
1	1	3703.060.1000	AOC-40-C
2	1	1872.383.4010	Shroud Assembly
3	1	1872.013.4030	20" Fingerguard
4	1	3703.024.0002	Mounting Bracket (Left)
5	1	3703.024.0001	Mounting Bracket (Right)
6	1	8407.112.4103	Leeson Motor 1HP;56C;3PH;1740RPM TEFC
7	1	8400.132.0020	Fan 19.7-10-3L-PPG-30B 5/8" x 3/16", 5/32"



Work Pressure (psi) (Max)	250
Test Pressure (psi) (Max)	190
Max Temperature (°F)	250
Paint	BLACK
Part No:	X-AOC40-3

UNLESS OTHERWISE SPECIFIED
 1. Dimensions are mm.
 2. All dimensions are reference unless tolerance is specified.



THE INFORMATION HEREON IS THE PROPERTY OF NANO-PURIFICATION SOLUTIONS. ANY COPYING OR TRANSMITTAL WITHOUT PERMISSION FROM NANO-PURIFICATION SOLUTIONS IS PROHIBITED.

DRWN BY:	Isley
DATE:	1/8/99
ENGR:	White

TITLE		X-AOC40-3	
DWG. NO.	3703.060.0000	REV.	B
PAGE:	2 of 2		