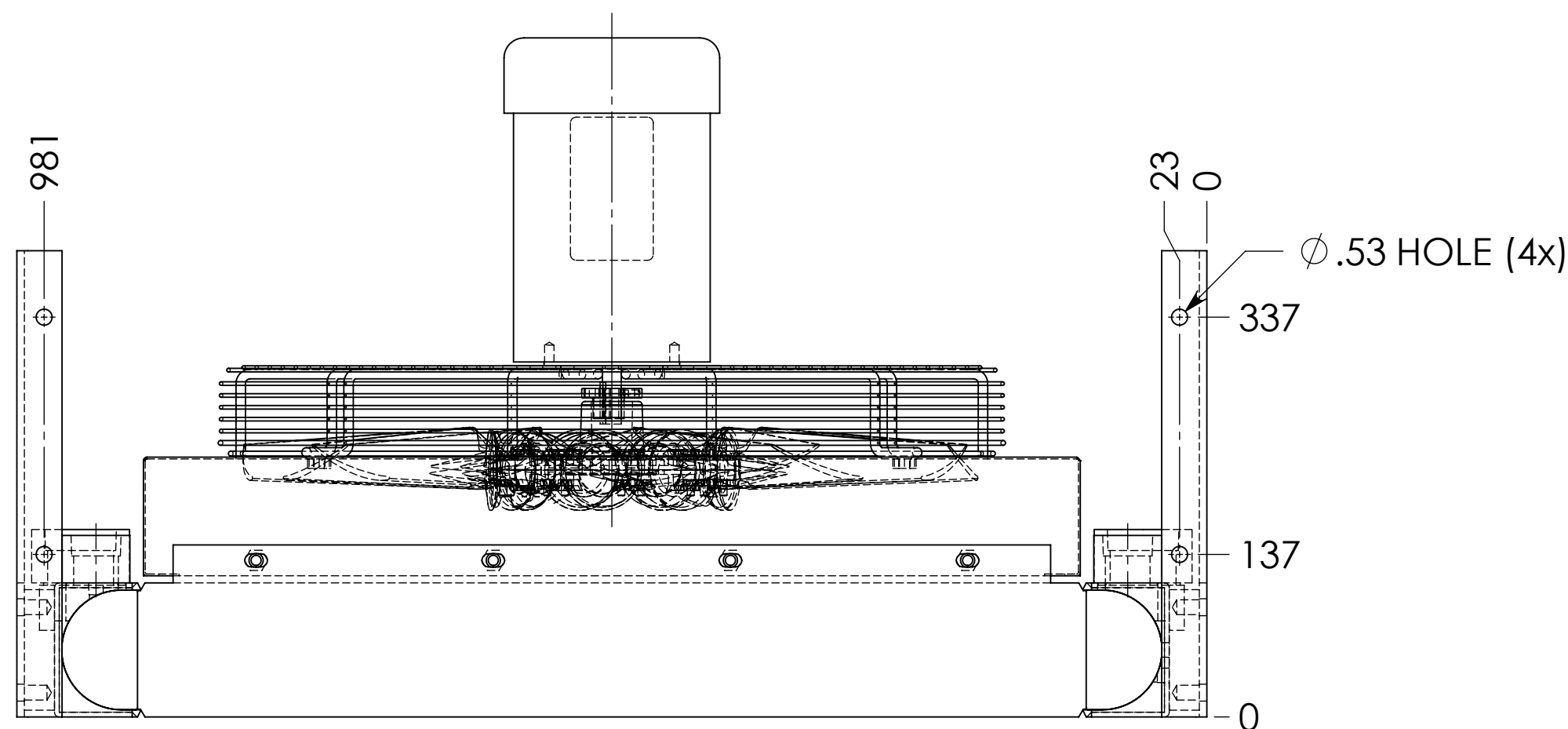
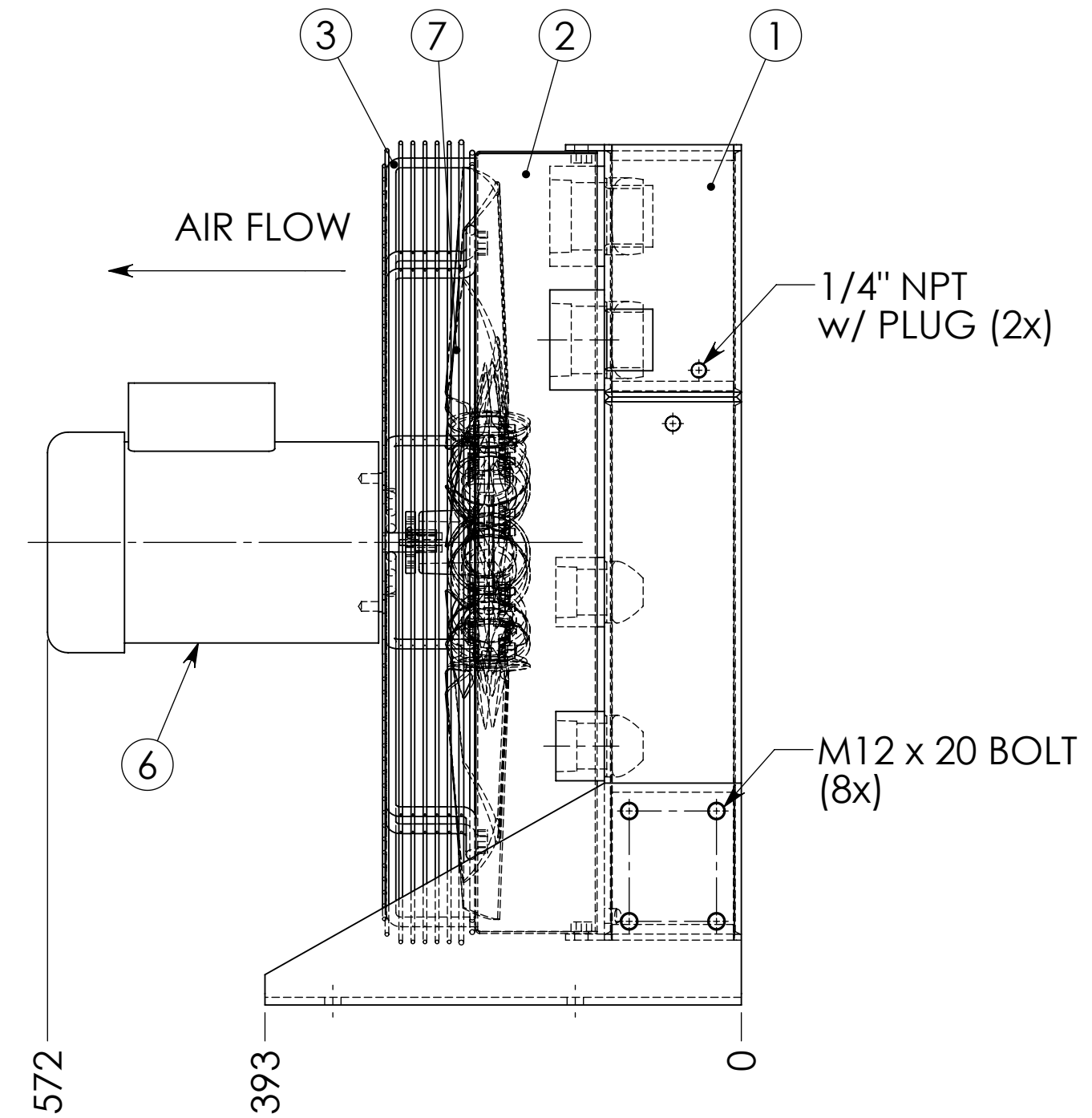
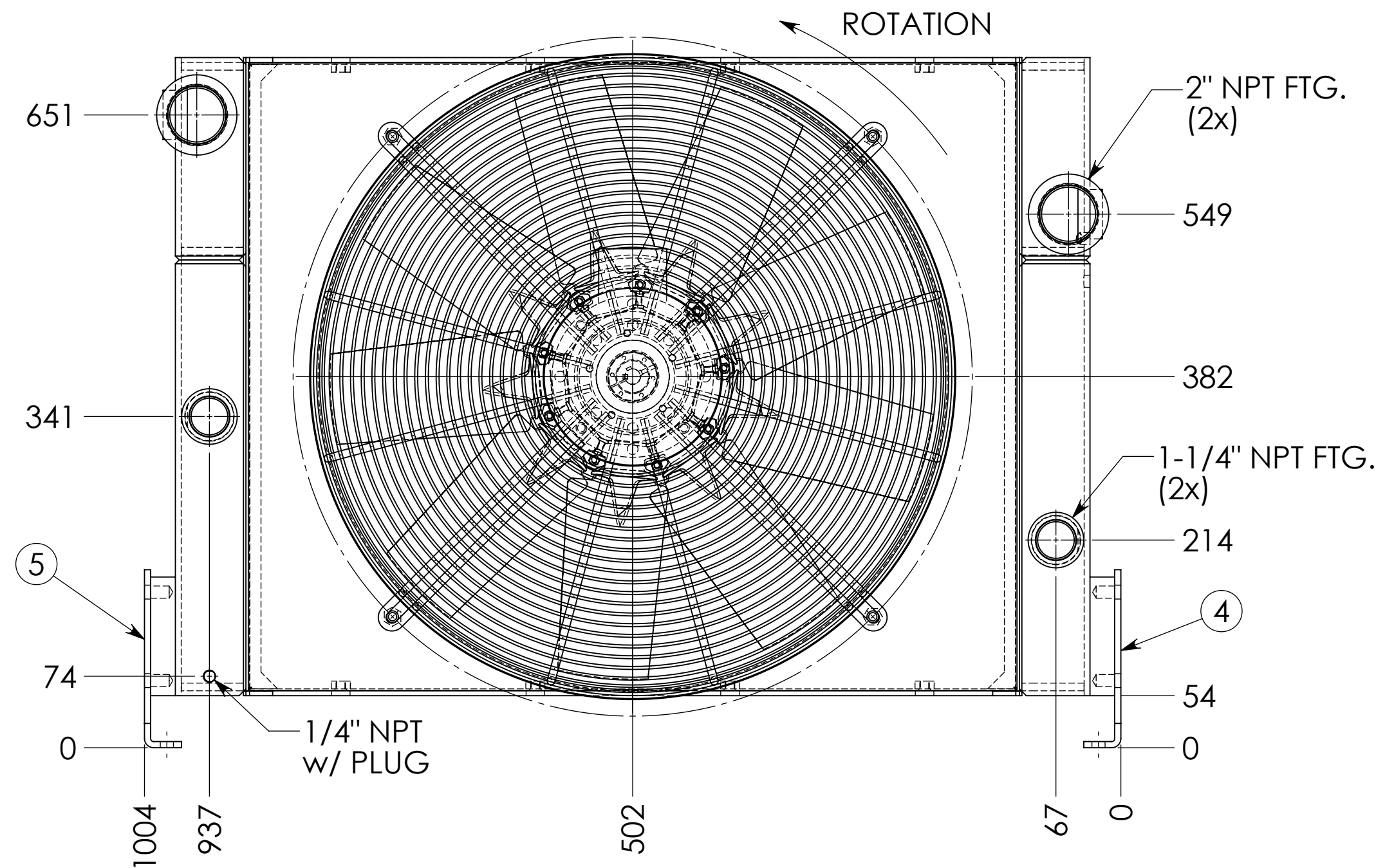


REVISION				
REV.	ECN	DESCRIPTION	DATE	DESIGNER
E		REDRAWN IN SOLIDWORKS	10/1/07	Nance



NOTES: UNLESS OTHERWISE SPECIFIED  
1. DIMENSIONS ARE IN MILLIMETERS.

7	1	8400.129.0025	FAN 24.5-9-4ZL-PPG-25BRFJA 5/8"x 3/16", 5/32"
6	1	8407.112.4105	Leeson Motor 2HP;56C;3PH;1740 RPM TEFC
5	1	3703.021.0002	Left Mounting Bracket
4	1	3703.021.0001	Right Mounting Bracket
3	1	1872.015.4030	24" Fan Guard
2	1	3703.019.4010	24" Fan Shroud
1	1	3703.056.1000	X-AOC-75-C
ITEM NO.	QTY.	PART NUMBER	DESCRIPTION

Work Pressure (psi) (Max)	250
Test Pressure (psi) (Max)	190
Paint	BLACK
Part No:	-
Fin System	-

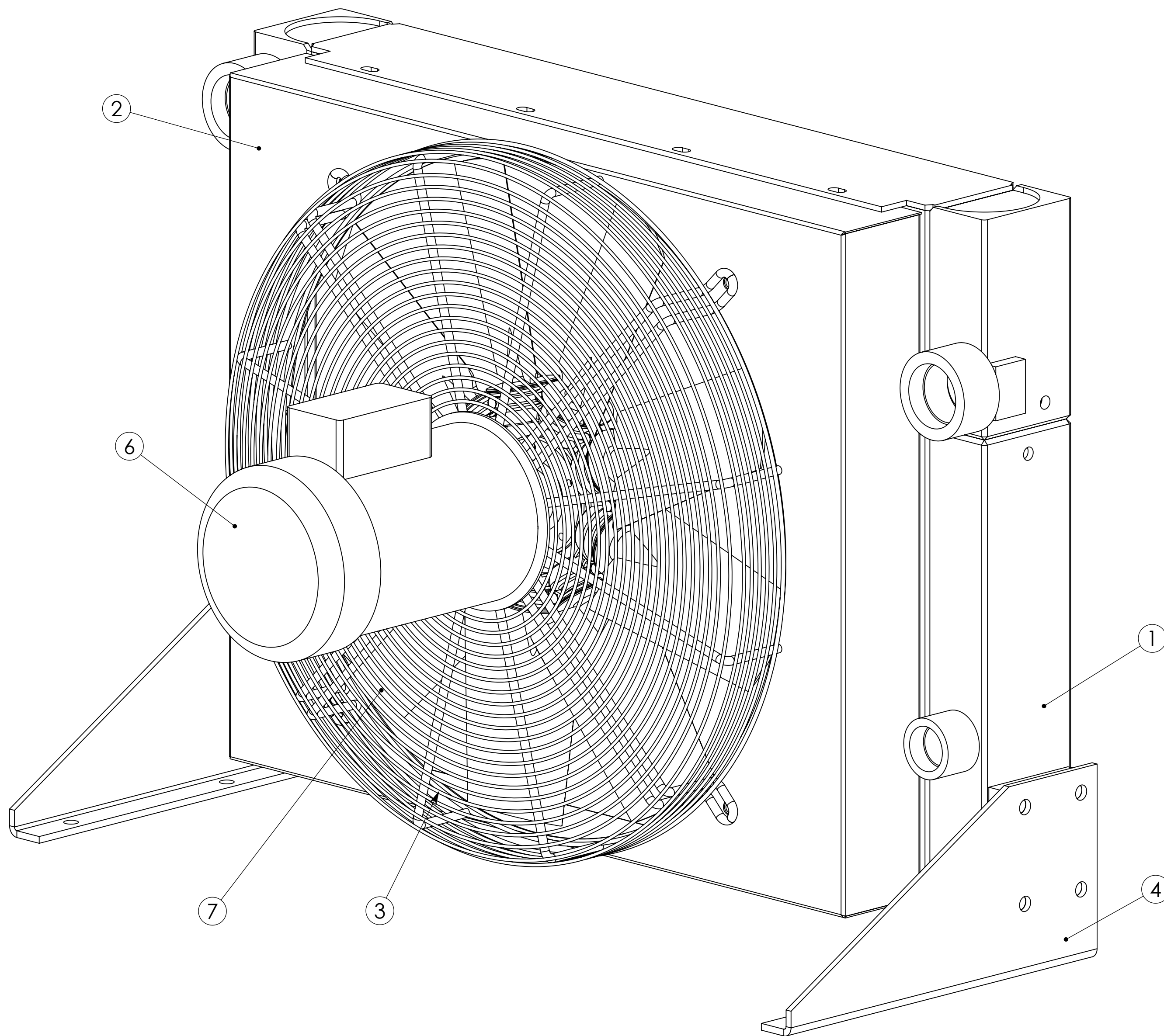
UNLESS OTHERWISE SPECIFIED  
ALL DIMENSIONS ARE REFERENCE

**nano**  
www.nano-purification.com

THE INFORMATION HEREON IS THE PROPERTY OF NANO-PURIFICATION SOLUTIONS. ANY COPYING OR TRANSMITTAL WITHOUT PERMISSION FROM NANO-PURIFICATION SOLUTIONS IS PROHIBITED

DRWN BY: **Isley**  
DATE: **12/02/98**  
ENGR: **WHITE**

TITLE  
**X-AOC75-3  
Cooler Assembly**  
DWG. NO. **3703.056.0000**  
PAGE: **1 of 2**  
REV. **E**



Work Pressure (psi) (Max)	250
Test Pressure (psi) (Max)	190
Paint	BLACK
Part No:	-
Fin System	-

UNLESS OTHERWISE SPECIFIED ALL DIMENSIONS ARE REFERENCE



THE INFORMATION HEREON IS THE PROPERTY OF NANO-PURIFICATION SOLUTIONS. ANY COPYING OR TRANSMITTAL WITHOUT PERMISSION FROM NANO-PURIFICATION SOLUTIONS IS PROHIBITED

DRWN BY:	Isley
DATE:	12/02/98
ENGR:	WHITE

TITLE		X-AOC75-3 Cooler Assembly	
DWG. NO.	3703.056.0000	REV.	E
PAGE:	2 of 2		