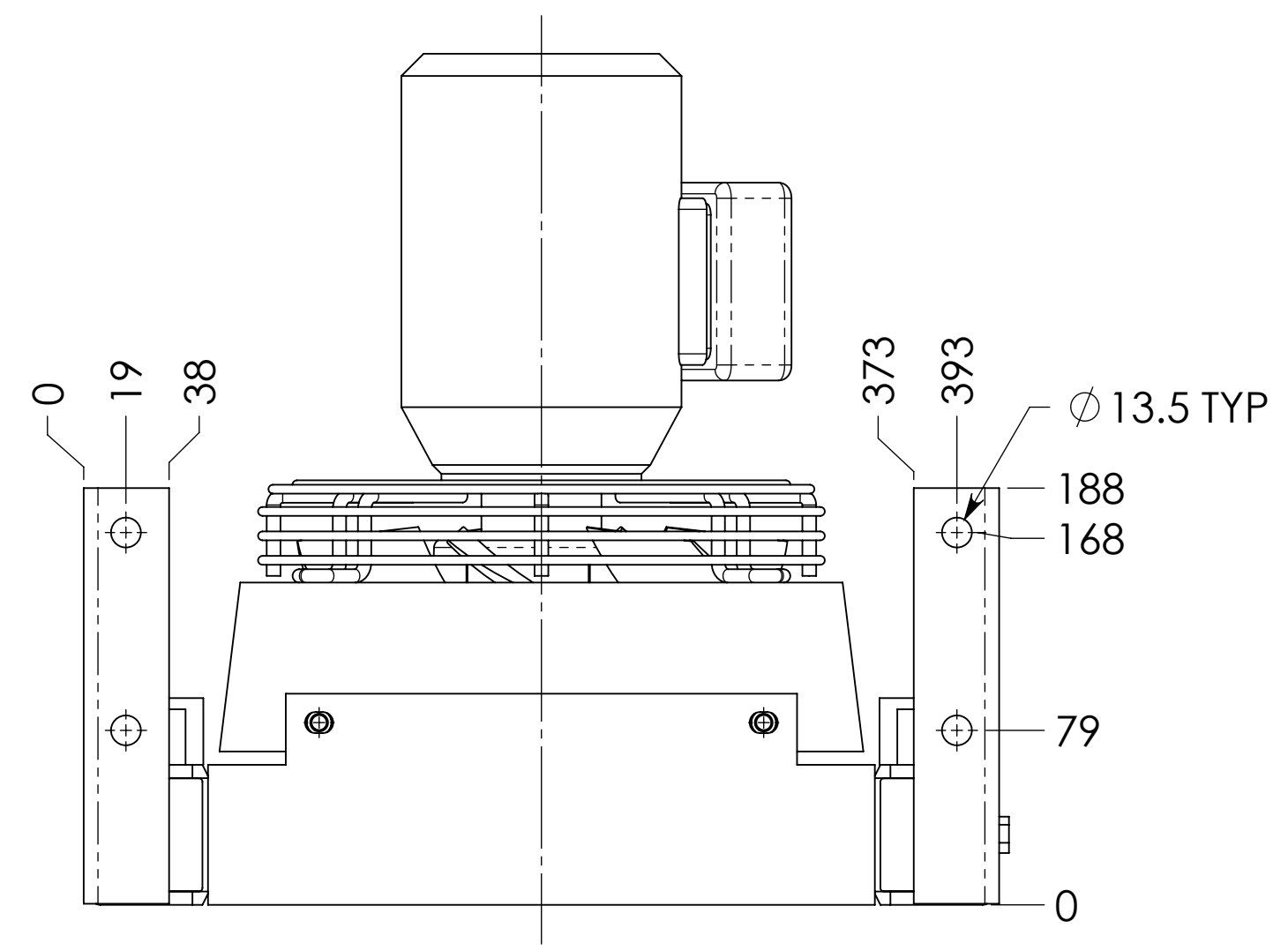
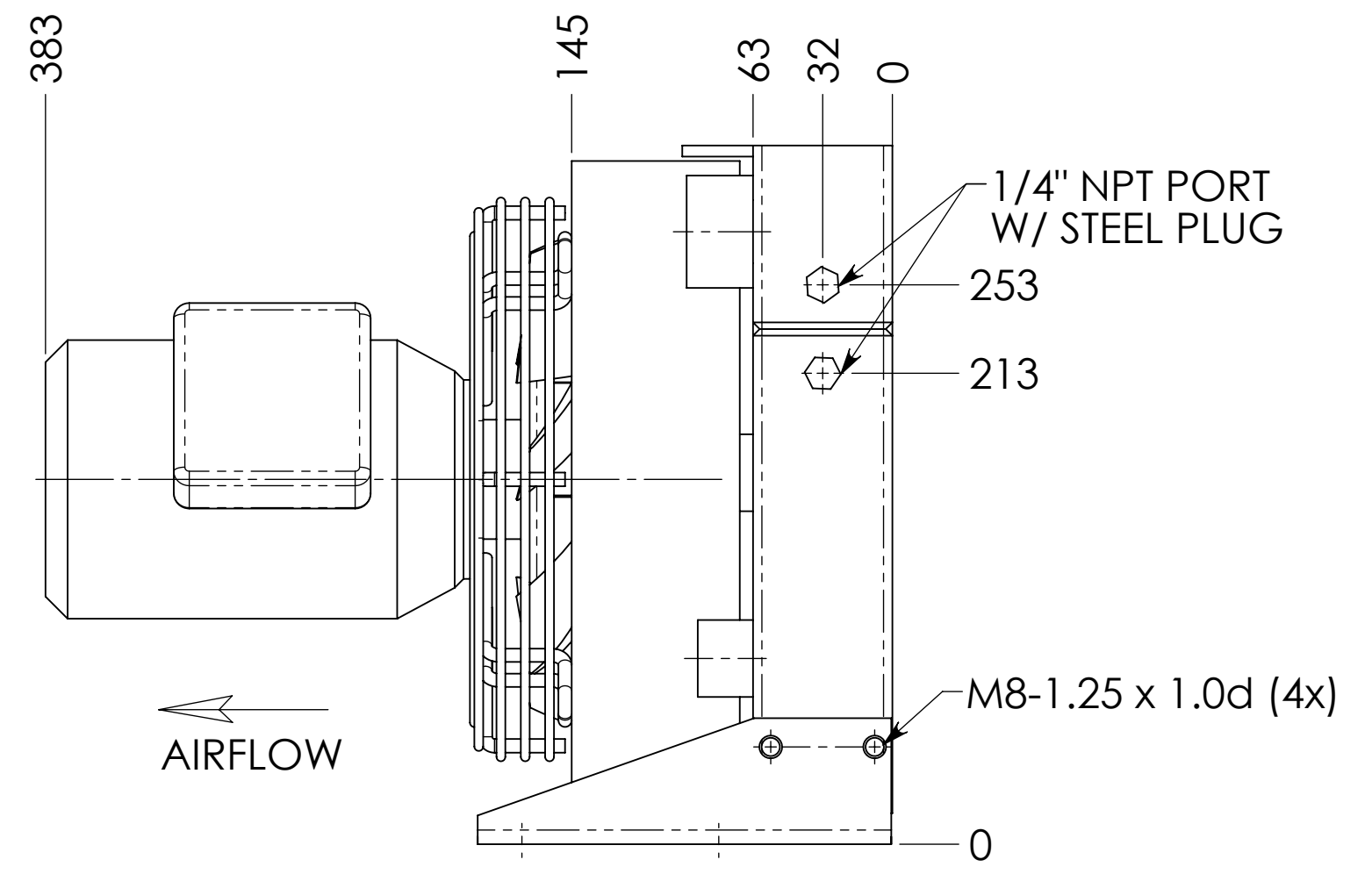
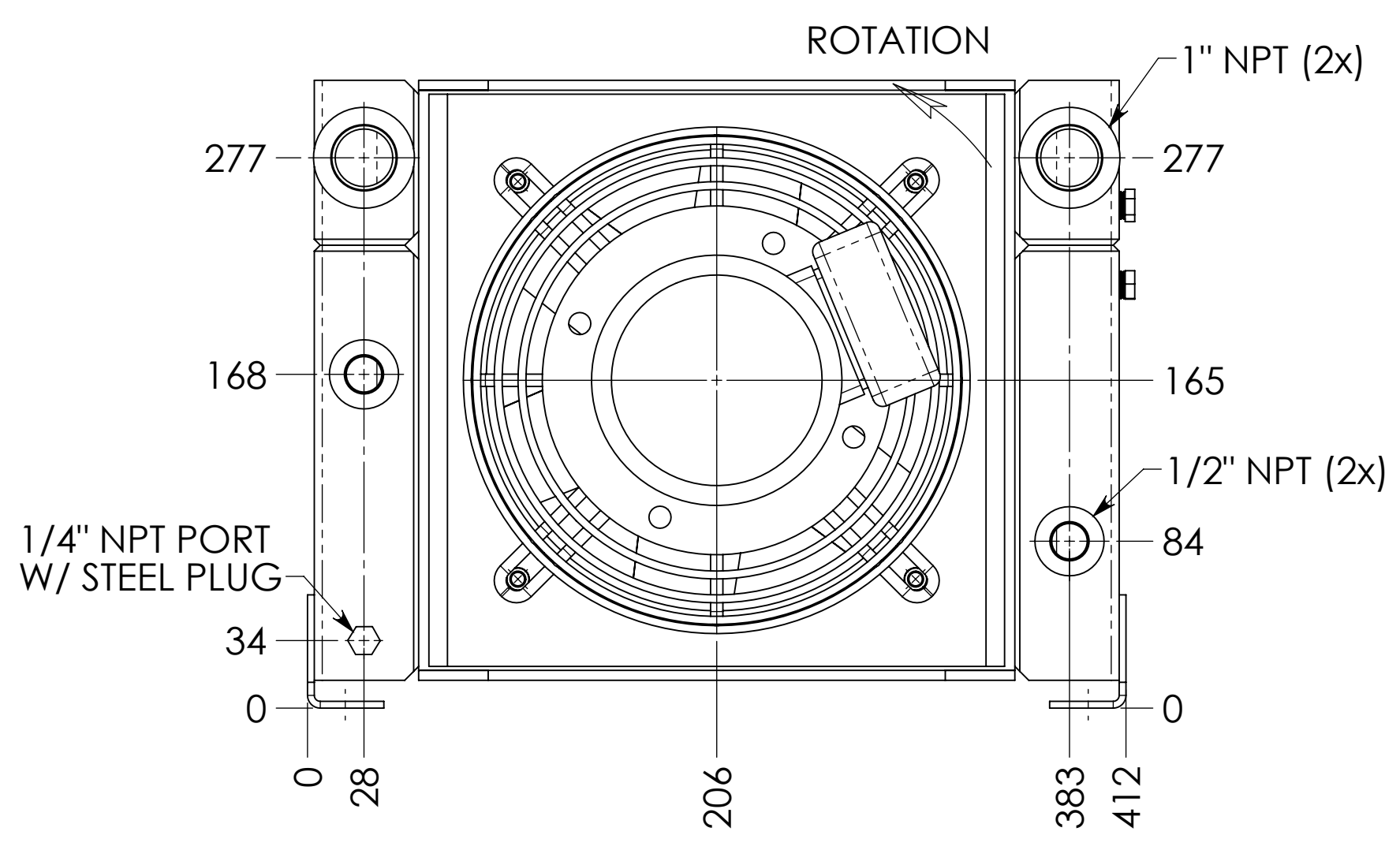


REVISION				
REV.	ECN	DESCRIPTION	DATE	DESIGNER
A		Redrawn in SolidWorks	5/28/2010	Nance



NOTES: UNLESS OTHERWISE SPECIFIED
1. DIMENSIONS ARE mm

Work Pressure (psi) (Max)	250
Test Pressure (psi) (Max)	190
Max Temperature (°F)	250
Paint	BLACK
Part No:	X-AOC-8-3

UNLESS OTHERWISE SPECIFIED
1. Dimensions are mm.
2. All dimensions are reference unless tolerance is specified.

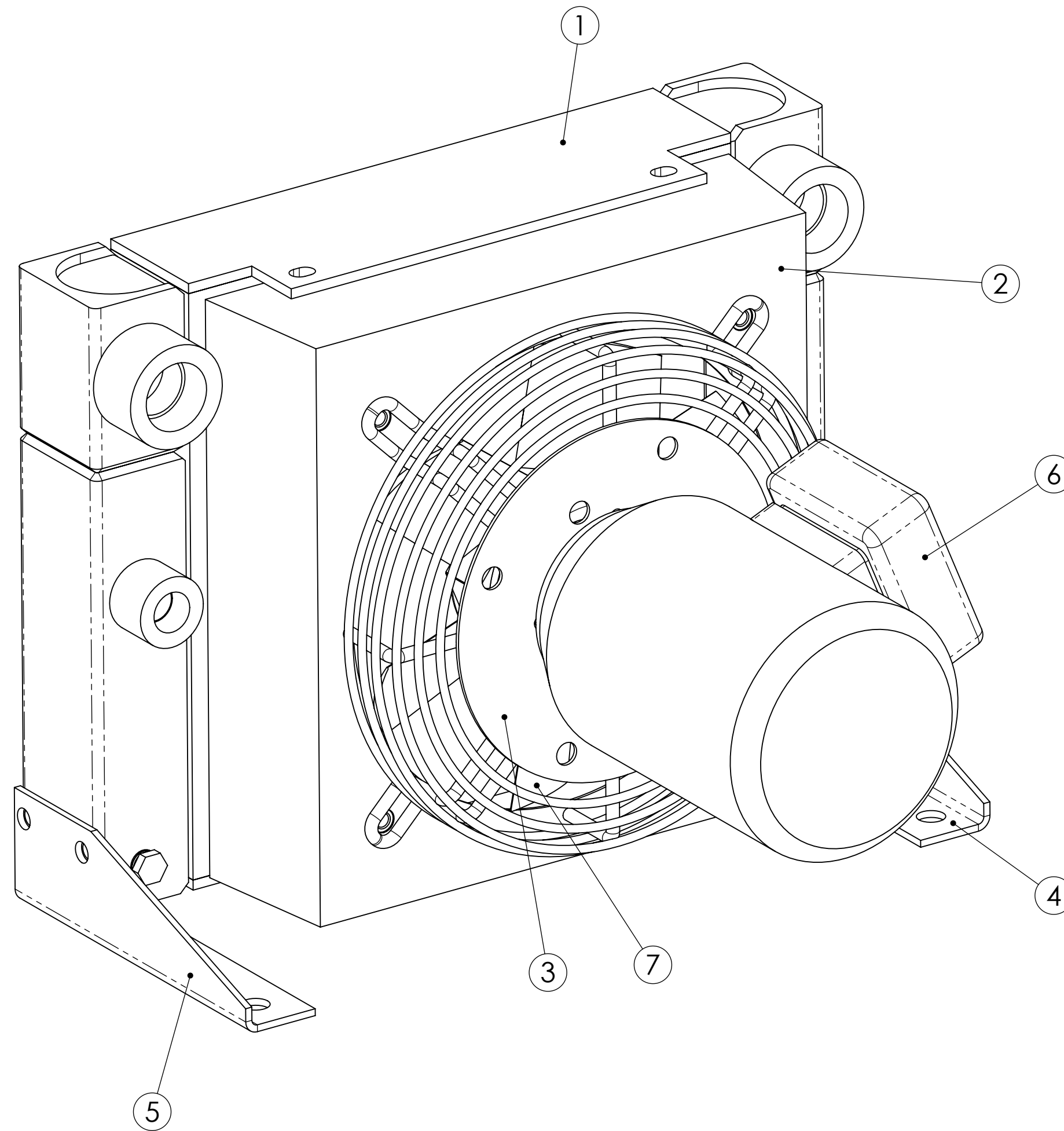


THE INFORMATION HEREON IS THE PROPERTY OF NANO-PURIFICATION SOLUTIONS. ANY COPYING OR TRANSMITTAL WITHOUT PERMISSION FROM NANO-PURIFICATION SOLUTIONS IS PROHIBITED

DRWN BY:	Isley
DATE:	08/03/99
ENGR:	White

TITLE	
x-AOC-8-3 Aftercooler	
DWG. NO.	3703.071.0000
PAGE:	1 of 2
REV.	A

REVISION				
REV.	ECN	DESCRIPTION	DATE	DESIGNER
-	-	See Sheet1	-	-



7	1	8400.039.0009	Fan 8.75-6-2L-PP-35°M10Hub
6	1	8407.144.2502	Motor 1/3HP, D63C, 3PH, 3450 RPM TEFC
5	1	3703.023.0002	Left Mounting Bracket
4	1	3703.023.0001	Right Mounting Bracket
3	1	3703.023.4030	Fanguard
2	1	1872.380.4010	Shroud
1	1	3703.071.1000	X-AOC-8-C
ITEM NO.	QTY.	PART NUMBER	DESCRIPTION

Work Pressure (psi) (Max)	250
Test Pressure (psi) (Max)	190
Max Temperature (°F)	250
Paint	BLACK
Customer Part No:	X-AOC-8-3

UNLESS OTHERWISE SPECIFIED
 1. Dimensions are mm.
 2. All dimensions are reference unless tolerance is specified.



THE INFORMATION HEREON IS THE PROPERTY OF NANO-PURIFICATION SOLUTIONS. ANY COPYING OR TRANSMITTAL WITHOUT PERMISSION FROM NANO-PURIFICATION SOLUTIONS IS PROHIBITED

DRWN BY:	Isley
DATE:	08/03/99
ENGR:	White

TITLE	
X-AOC-8-3 Aftercooler	
DWG. NO.	REV.
3703.071.0000	A
PAGE:	
2 of 2	