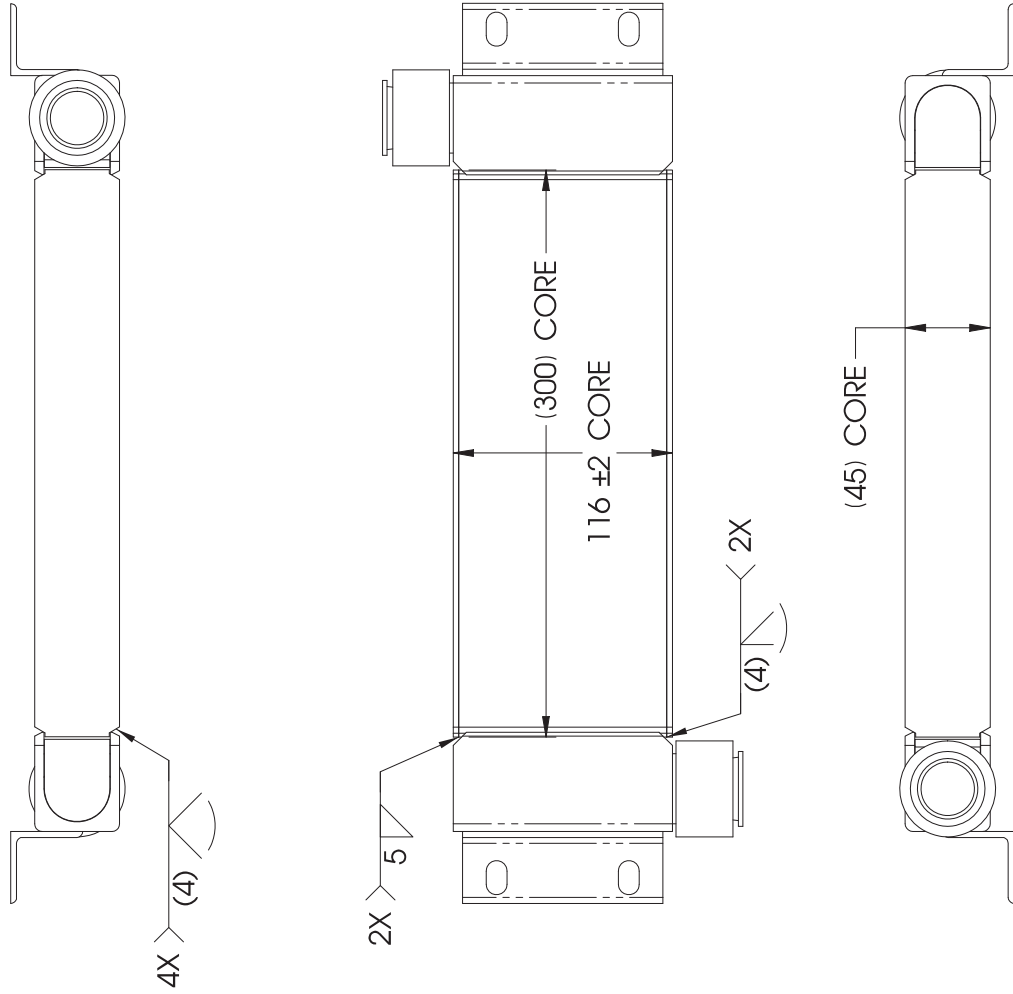


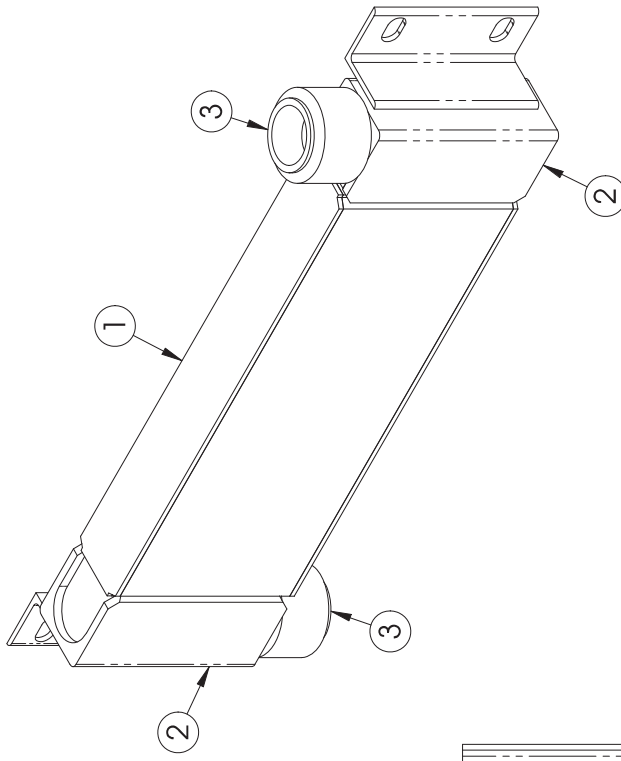
REVIEW AND APPROVE  
DOCUMENT FOR PRODUCTION

APPROVAL: \_\_\_\_\_  
DATE: \_\_\_\_\_



NOTES:  
1. CENTER TANKS ON CORE.

Index	Rev.	Änderung / Modification	Datum Date	Name

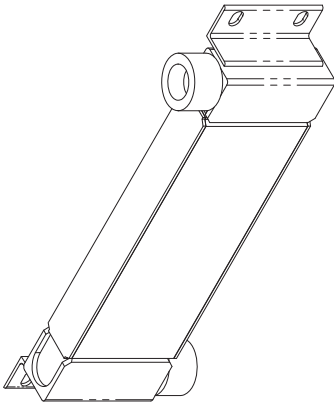
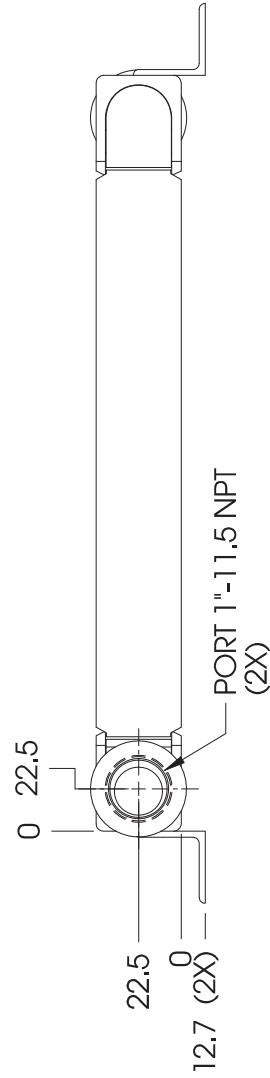
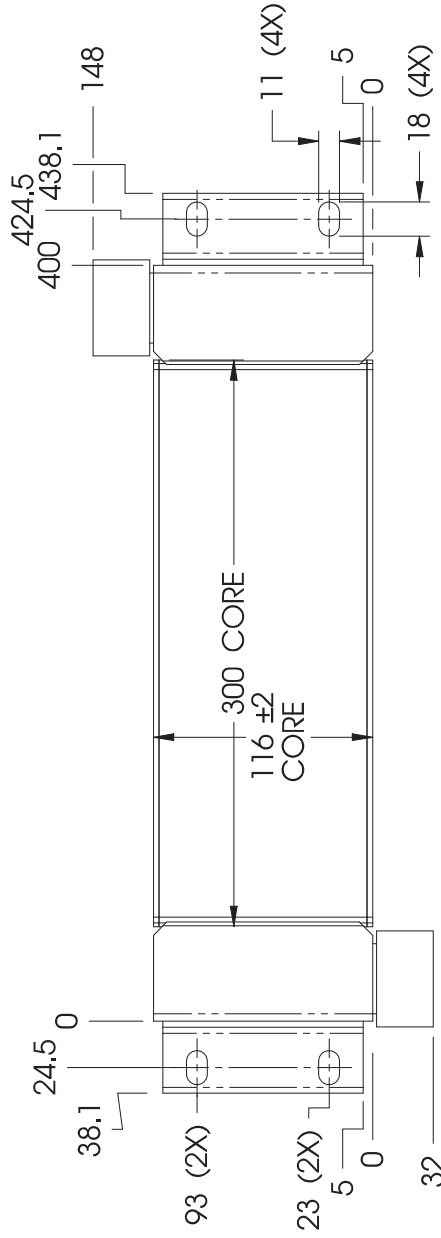
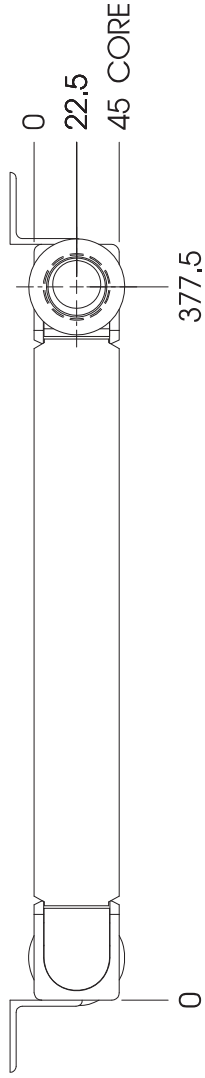


3	1600199400	0000.810.0006	2	Kegelestopfen / PLASTIC PLUG (WF25)
2	1302284300	6892.001.4410	2	Sammelkasten / Tank Weldment
1	1200715800	6892.001.4100	1	Block / Core
Teil / Part	Materialnr. / Materialno.	Alte Materialnr. / Old Materialno.	Stück / QTY	Benennung / Description

Arbeitsdruck Work Pressure	150 PSI	Datum Date:	7/2/18	Name:	OLBERDING	Dokument Nr. / Document No.:	100005818921000101	Alte Mat. Nr. / Old Mat. No.:	6892.001.4000
Prüfdruck Test Pressure	215 PSI	Bearbeitet Drawn				Benennung / Description:	Nachkühler AFTERCOOLER		
Farbe Paint	BLACK	Geprüft Checked	03.10.2018		T.Holländer	Material Nr. / Material No.	1102107600	Mat. Rev.:	A90
Fin System	7926/7043	Freigegeben Released	08.10.2018		M.Olberding	X-C-1835BG			
UNLESS OTHERWISE SPECIFIED DIMENSIONS ARE MILLIMETERS AND THE FOLLOWING METRIC DEVIATIONS ARE ACCEPTABLE		PROJEKTION Projection		TOLERANCES		THE INFORMATION HEREON IS THE PROPERTY OF NANO-PURIFICATION SOLUTIONS. ANY COPYING OR TRANSMITTAL WITHOUT PERMISSION FROM NANO-PURIFICATION SOLUTIONS IS PROHIBITED.			
SIZE	0	50	300	1000	ANGLE				
mm	0	50	300	1000	3000				
TOL.	+1	+2	+3	+4	+3°				

REVIEW AND APPROVE  
DOCUMENT FOR PRODUCTION

APPROVAL: \_\_\_\_\_  
DATE: \_\_\_\_\_



PLUGS REMOVED FOR CLARITY

Index	Rev.	Änderung / Modification	Datum Date	Name
-------	------	-------------------------	------------	------

And. Nr. DCN No.	
------------------	--

Arbeitsdruck / Work Pressure	150 PSI	Name:	OLBERDING
Prüfdruck / Test Pressure	215 PSI	Datum / Date:	7/2/18
Farbe / Paint	BLACK	Bearbeitet Drawn	
Fin System	7926/7043	Geprüft Checked	T.Holländer
		Freigegeben Released	M.Olberding
UNLESS OTHERWISE SPECIFIED ALL DIMENSIONS ARE mm AND ARE REFERENCE		Name:	
Projektion Projection		Datum / Date:	
		7/2/18	
		03.10.2018	
		08.10.2018	
		M.Olberding	
150 PSI		Name:	
215 PSI		OLBERDING	
BLACK		T.Holländer	
7926/7043		M.Olberding	
		Datum / Date:	
		7/2/18	
		03.10.2018	
		08.10.2018	
		M.Olberding	
DOKUMENT NR. / DOCUMENT NO.: 100005818921000101 ALTE MAT. NR. / OLD MAT. NO.: 6892.001.4000 BENENNUNG / DESCRIPTION: Nachkühler AFTERCOOLER X-C-1835BG MATERIAL NR. / MATERIAL NO.: 1102107600 MAT. REV.: A90			