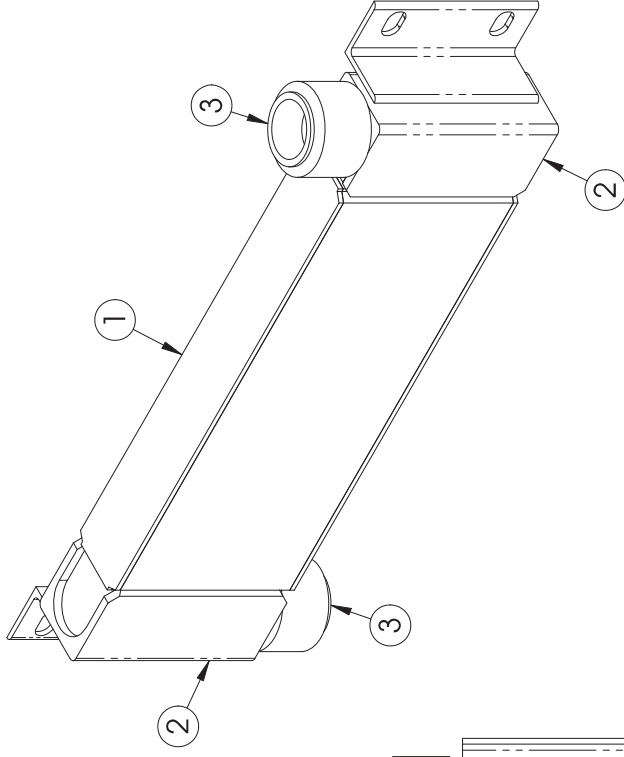
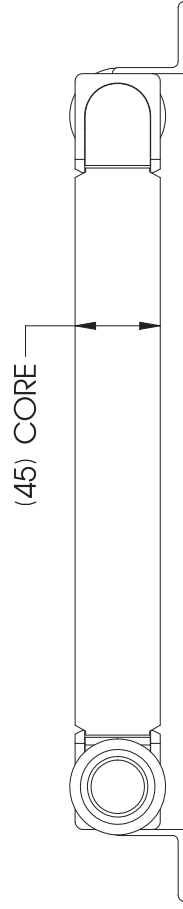
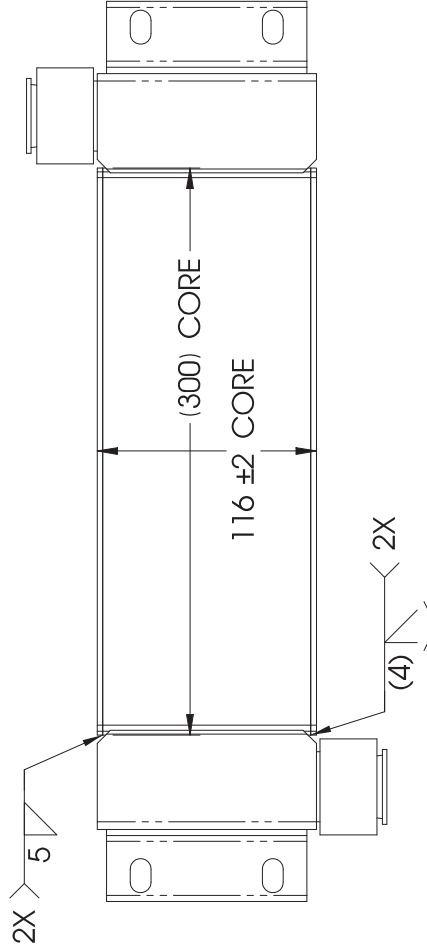
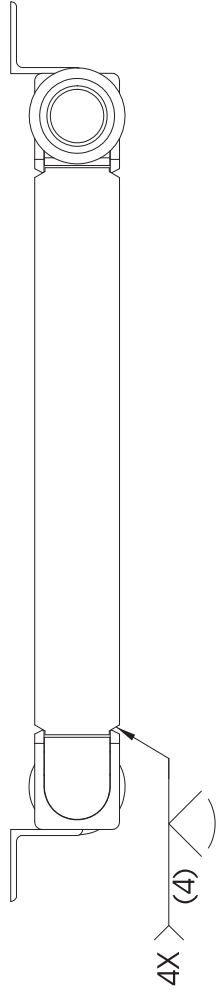


REVIEW AND APPROVE
DOCUMENT FOR PRODUCTION

APPROVAL: _____
DATE: _____

Index	Rev.	Änderung / Modification	Datum Date	Name



3	1600199400	0000.810.0006	2	Kegelestopfen / PLASTIC PLUG (WF25)
2	1302284300	6892.001.4410	2	Sammelkasten / Tank Weldment
1	1200715800	6892.001.4100	1	Block / Core
Teil / Part	Materialnr. / Materialno.	Alte Materialnr. / Old Materialno.	Stück / QTY	Benennung / Description

Dokument Nr. / Document No.:	100005818921000101	Alte Mat. Nr. / Old Mat. No.:	6892.001.4000
Benennung / Description: Nachkühler AFTERCOOLER			
Material Nr. / Material No.:			
1102107600			

nano
PURIFICATION SOLUTIONS

THE INFORMATION HEREON IS THE PROPERTY OF NANO-PURIFICATION SOLUTIONS. ANY COPYING OR TRANSMITTAL WITHOUT PERMISSION FROM NANO-PURIFICATION SOLUTIONS IS PROHIBITED.

Datum Date:	7/2/18	Name:	OLBERDING
Bearbeitet Drawn:		Geprüft Checked:	T.Holländer
Freigegeben Released:	03.10.2018		M.Olberding

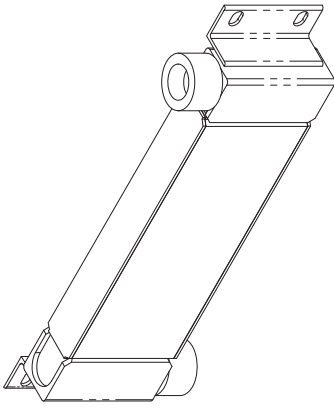
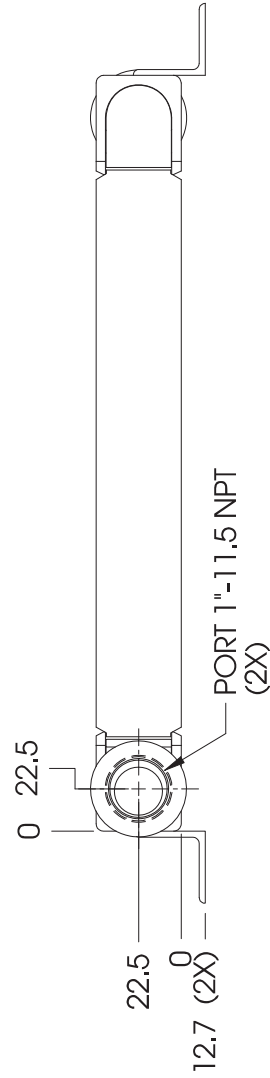
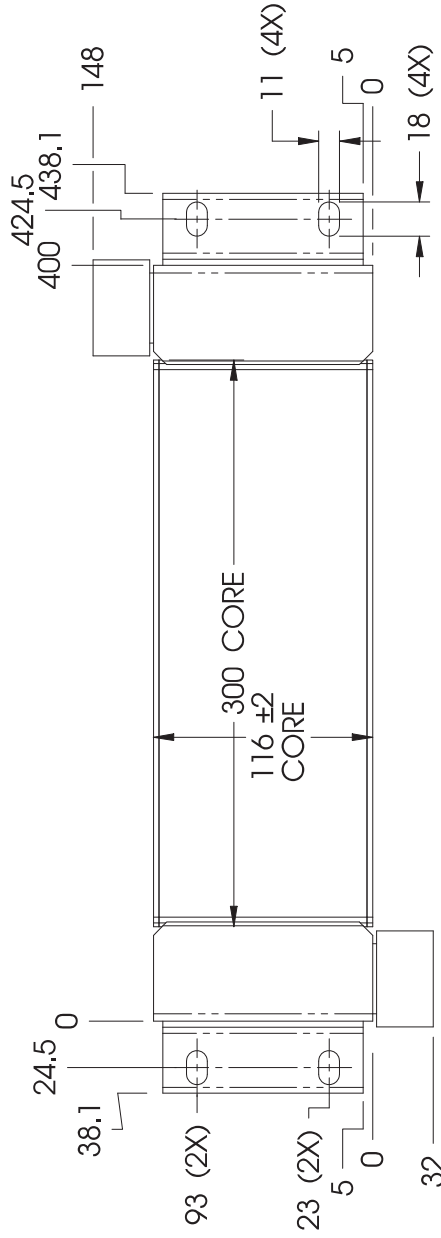
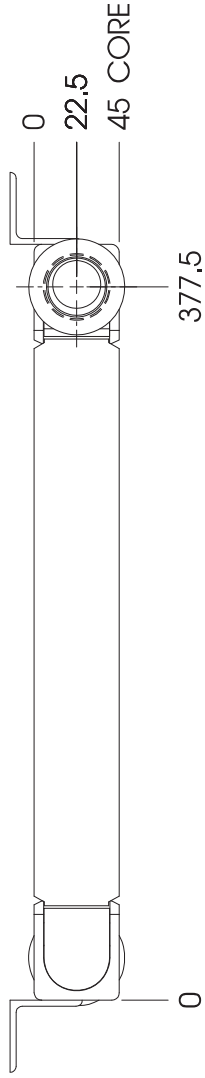
UNLESS OTHERWISE SPECIFIED DIMENSIONS ARE MILLIMETERS AND THE FOLLOWING METRIC DEVIATIONS ARE ACCEPTABLE			
SIZE	0	50	300
mm	0	300	1000
	±1	±2	±3
TOL.	±1	±2	±3
			±3°

Arbeitsdruck Work Pressure	150 PSI	Projektion Projection	1st Angle
Prüfdruck Test Pressure	215 PSI		
Farbe Paint	BLACK		
Fin System	7926/7043		

NOTES:
1. CENTER TANKS ON CORE.

REVIEW AND APPROVE
DOCUMENT FOR PRODUCTION

APPROVAL: _____
DATE: _____



Index	Rev.	Änderung / Modification	Datum Date	Name

PLUGS REMOVED FOR CLARITY

Arbeitsdruck / Work Pressure	150 PSI	Name:	OLBERDING
Prüfdruck / Test Pressure	215 PSI	Datum / Date:	7/2/18
Farbe / Paint	BLACK	Bearbeitet Drawn	Geprüft Checked
Fin System	7926/7043	Freigegeben Released	Freigegeben Released
UNLESS OTHERWISE SPECIFIED ALL DIMENSIONS ARE mm AND ARE REFERENCE		Projection Projection	
150 PSI		Name: OLBERDING	
215 PSI		Datum / Date: 7/2/18	
BLACK		Bearbeitet Drawn	
7926/7043		Geprüft Checked	
-		Freigegeben Released	

nano
PURIFICATION SOLUTIONS

THE INFORMATION HEREON IS THE PROPERTY OF NANO-PURIFICATION SOLUTIONS. ANY COPYING OR TRANSMITTAL WITHOUT PERMISSION FROM NANO-PURIFICATION SOLUTIONS IS PROHIBITED.

Dokument Nr. / Document No.:	100005818921000101	Alte Mat. Nr. / Old Mat. No.:	6892.001.4000
Benennung / Description:		Nachkühler AFTERCOOLER	
Material Nr. / Material No.:	1102107600	Mat. Rev.:	A90
Material No.:		X-C-1835BG	
-		Blatt	von
-		Sheet	2 of 2