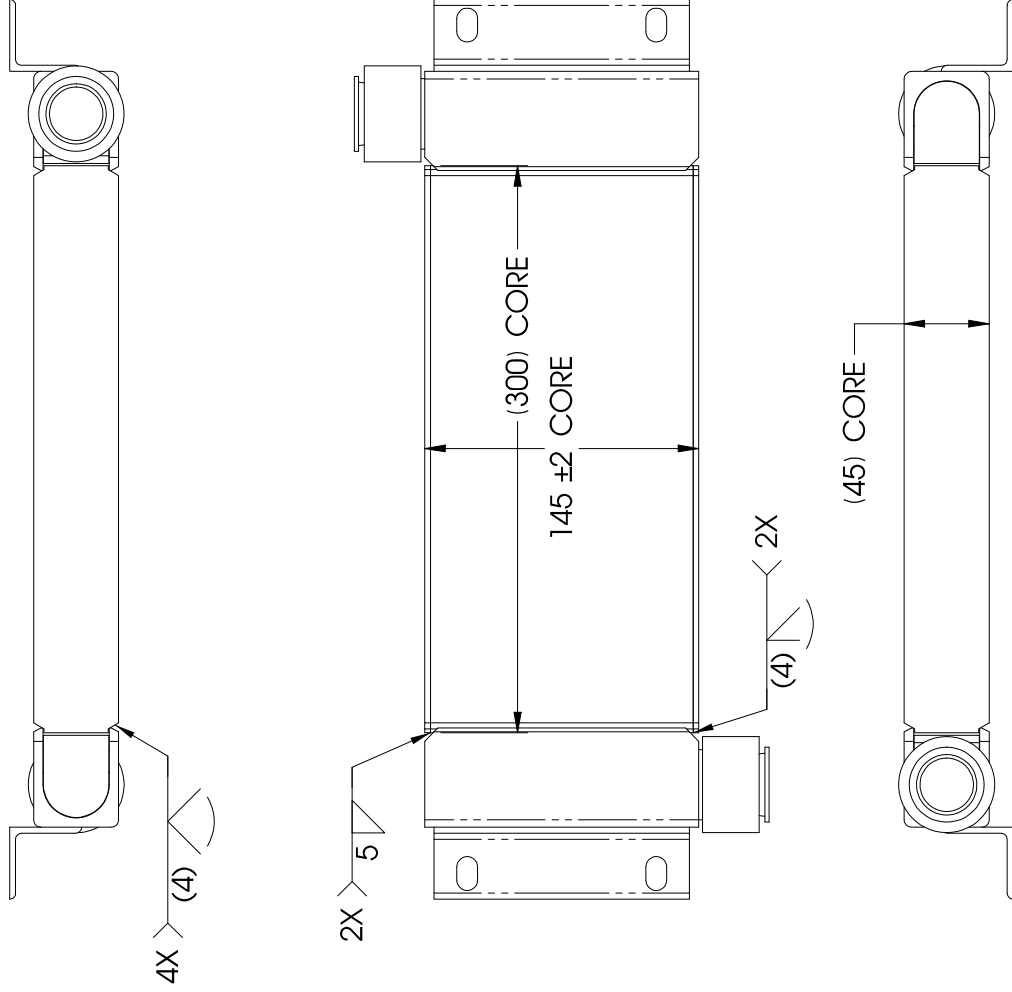
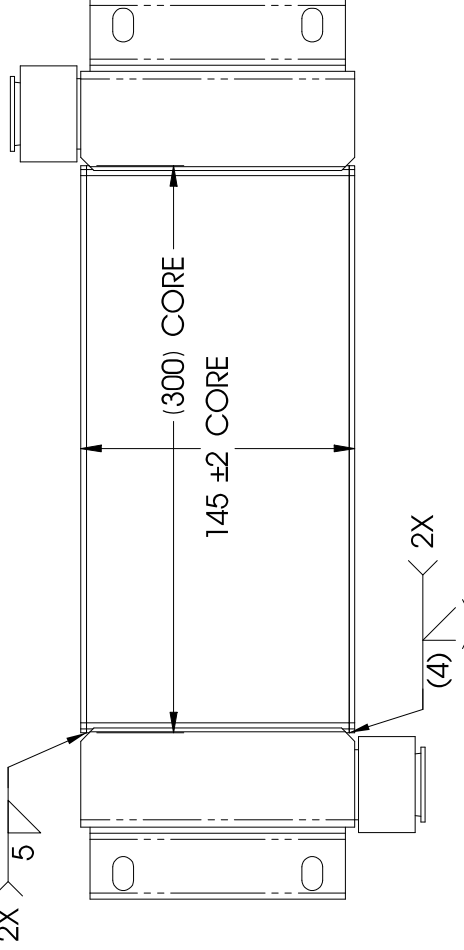
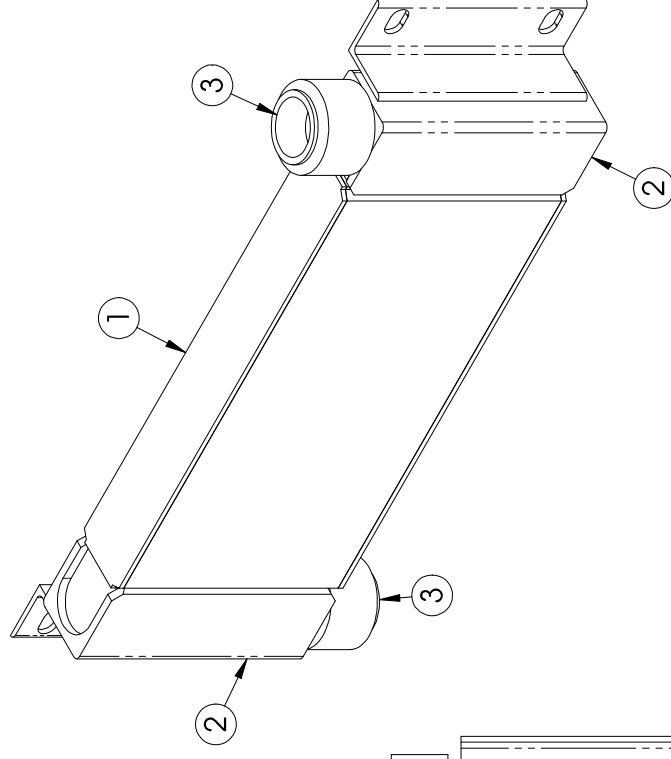


REVIEW AND APPROVE
DOCUMENT FOR PRODUCTION

APPROVAL: _____
DATE: _____



NOTES:
1. CENTER TANKS ON CORE.



3	1600199400	0000.810.0006	2	Kegetkopfen / PLASTIC PLUG (WF25)	
2	1302284500	6892.002.4410	2	Sammelkasten / TANK WELDMENT	
1	1200716000	6892.002.4100	1	Block / Core	
Teil / Part	Materialnr. / Materialno.	Alte Materialnr. / Old Materialno.	Stück / QTY	Benennung / Description	

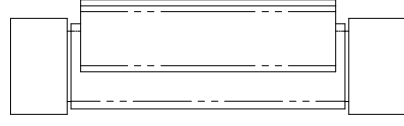
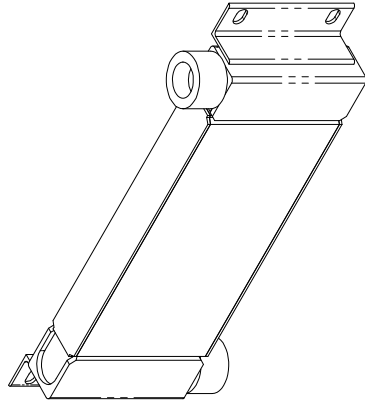
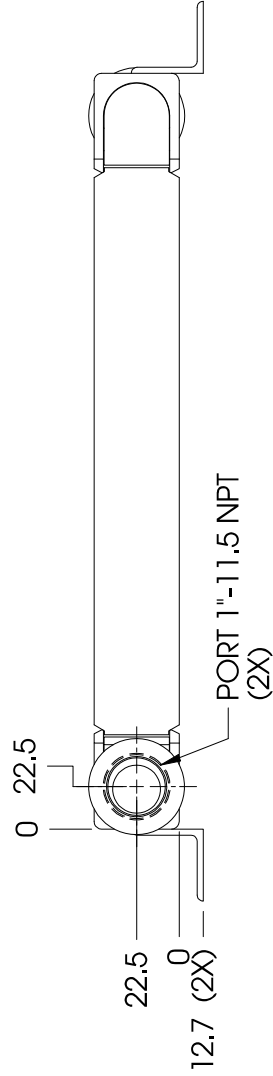
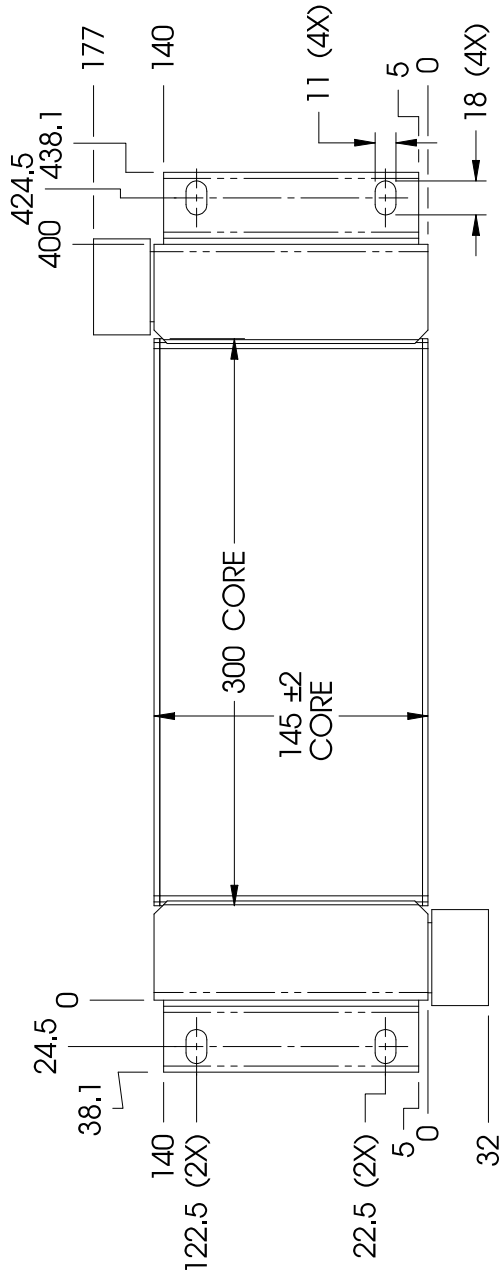
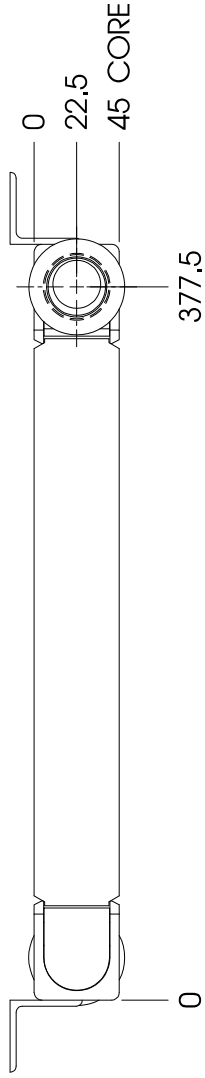
Arbeitsdruck Work Pressure	150 PSI	Datum Date:	7/2/18	Name:	M.Olberding																			
Prüfdruck Test Pressure	215 PSI	Bearbeitet Drawn	OLBERDING	Geprüft Checked	T.Holländer	Freigegeben Released																		
Farbe Paint	BLACK	UNLESS OTHERWISE SPECIFIED DIMENSIONS ARE MILLIMETERS AND THE FOLLOWING METRIC DEVIATIONS ARE ACCEPTABLE		<table border="1"> <tr> <td>SIZE</td> <td>0</td> <td>50</td> <td>300</td> <td>1000</td> <td>ANGLE</td> </tr> <tr> <td>mm</td> <td>50</td> <td>300</td> <td>1000</td> <td>3000</td> <td></td> </tr> <tr> <td>TOL.</td> <td>±1</td> <td>±2</td> <td>±3</td> <td>±4</td> <td>±3°</td> </tr> </table>			SIZE	0	50	300	1000	ANGLE	mm	50	300	1000	3000		TOL.	±1	±2	±3	±4	±3°
SIZE	0	50	300	1000	ANGLE																			
mm	50	300	1000	3000																				
TOL.	±1	±2	±3	±4	±3°																			
Fin System	7926/7043	Projektion Projection																						
		Dokument Nr. / Document No.:		Alte Mat. Nr. / Old Mat. No.:																				
		100005818701000100		6892.002.4000																				
		Benennung / Description:		Nachkühler AFTERCOOLER																				
		Material Nr. / Material No.:		1102108000																				
		Benennung / Description:		X-C-3560BG																				



THE INFORMATION HEREON IS THE
PROPERTY OF NANO-PURIFICATION
SOLUTIONS. ANY COPYING OR
TRANSMITTAL WITHOUT PERMISSION
FROM NANO-PURIFICATION
SOLUTIONS IS PROHIBITED.

REVIEW AND APPROVE
DOCUMENT FOR PRODUCTION

APPROVAL: _____
DATE: _____



PLUGS REMOVED FOR CLARITY

Index	Rev.	Änderung / Modification	Datum Date	Name

And. Nr.
DCN No.

Arbeitsdruck / Work Pressure	150 PSI	Name:	OLBERDING
Prüfdruck / Test Pressure	215 PSI	Datum / Date:	7/2/18
Farbe / Paint	BLACK	Bearbeitet Drawn	Geprüft Checked
Fin System	7926/7043	Freigegeben Released	09.10.2018
			09.10.2018
			M.Olberding
UNLESS OTHERWISE SPECIFIED ALL DIMENSIONS ARE mm AND ARE REFERENCE Projektion Projection 		Name: OLBERDING Datum / Date: 09.10.2018 Freigegeben Released 09.10.2018 M.Olberding	
Dokument Nr. / Document No.: 100005818701000100		Alte Mat. Nr. / Old Mat. No.: 6892.002.4000	
Benennung / Description: Nachkühler AFTERCOOLER		X-C-3560BG	
Material Nr. / Material No. 1102108000		Mat. Rev.: A90	