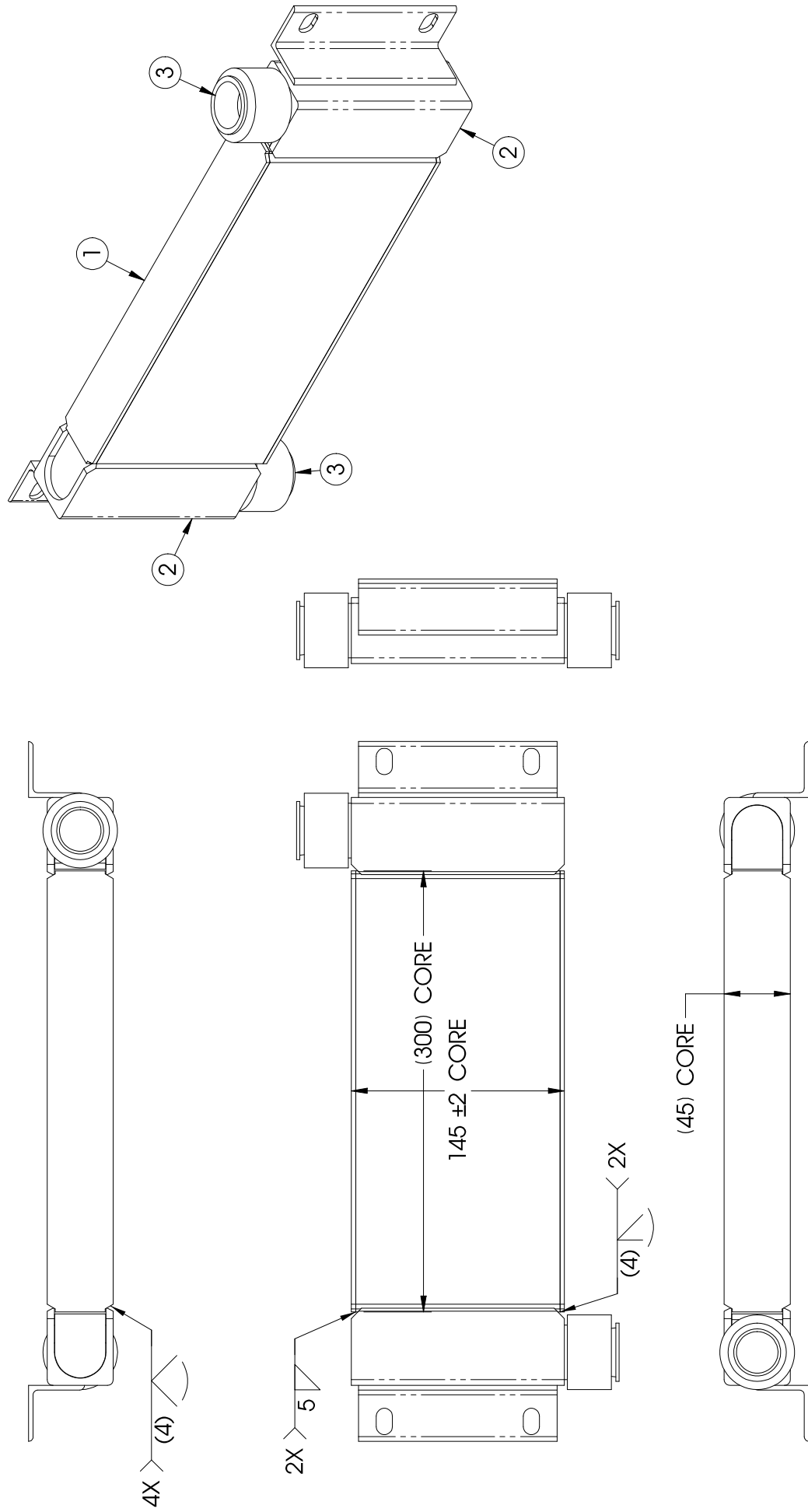


**REVIEW AND APPROVE  
DOCUMENT FOR PRODUCTION**

APPROVAL: \_\_\_\_\_  
DATE: \_\_\_\_\_

|       |      |                         |            |      |
|-------|------|-------------------------|------------|------|
| Index | Rev. | Änderung / Modification | Datum Date | Name |
|       |      |                         |            |      |



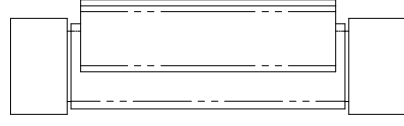
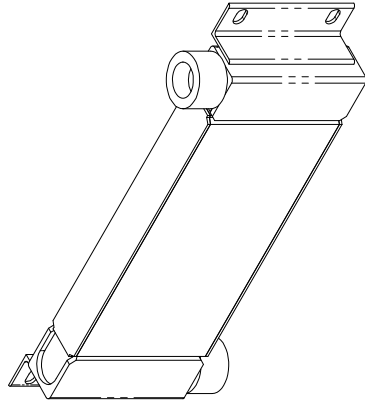
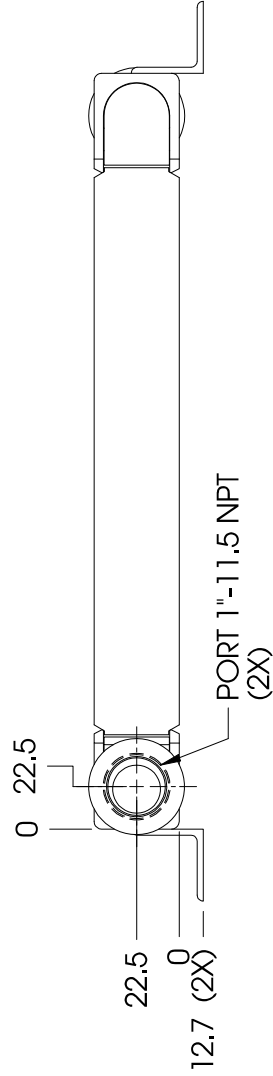
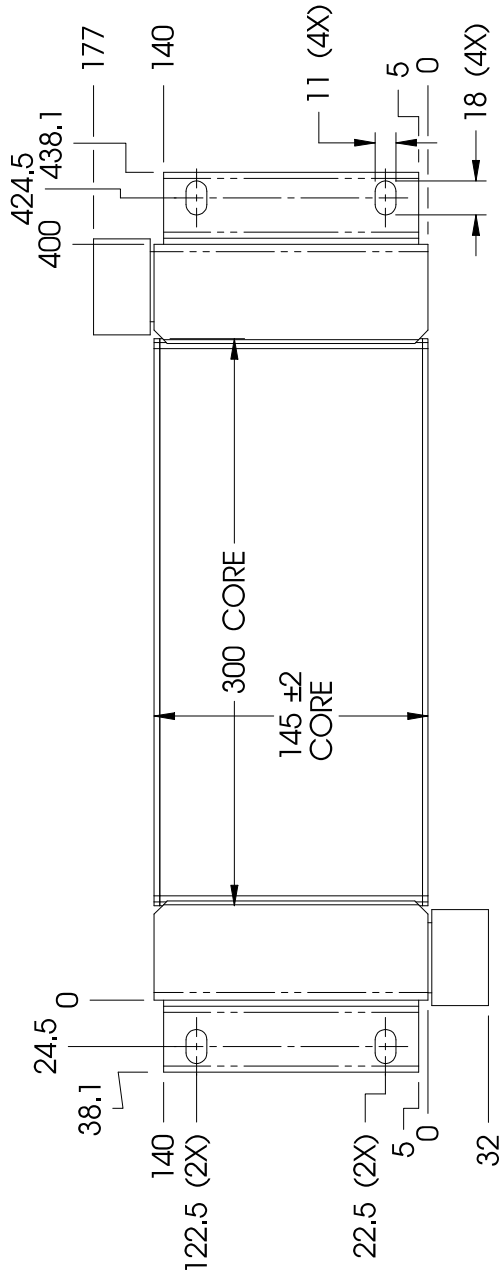
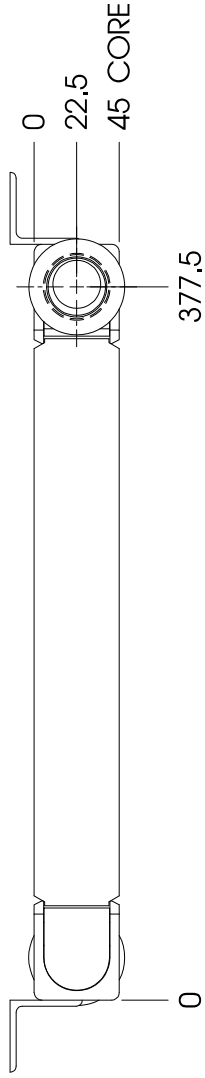
**NOTES:**  
1. CENTER TANKS ON CORE.

|             |                           |                                    |             |                                   |
|-------------|---------------------------|------------------------------------|-------------|-----------------------------------|
| 3           | 1600199400                | 0000.810.0006                      | 2           | Kegetropfen / PLASTIC PLUG (WF25) |
| 2           | 1302284500                | 6892.002.4410                      | 2           | Sammelkasten / TANK WELDMENT      |
| 1           | 1200716000                | 6892.002.4100                      | 1           | Block / Core                      |
| Teil / Part | Materialnr. / Materialno. | Alte Materialnr. / Old Materialno. | Stück / QTY | Benennung / Description           |

|                               |           |   |                              |                           |                               |                         |
|-------------------------------|-----------|---|------------------------------|---------------------------|-------------------------------|-------------------------|
| Arbeitsdruck<br>Work Pressure | 150 PSI   | Datum<br>Date:  | 7/2/18                       | Name:                     | M.Olberding                   |                         |
| Prüfdruck<br>Test Pressure    | 215 PSI   | Bearbeitet<br>Drawn   | OLBERDING                    | Geprüft<br>Checked        | T.Holländer                   | Freigegeben<br>Released |
| Farbe<br>Paint                | BLACK     | UNLESS OTHERWISE SPECIFIED<br>DIMENSIONS ARE MILLIMETERS<br>AND THE FOLLOWING METRIC<br>DEVIATIONS ARE ACCEPTABLE   |                              |                           |                               |                         |
| Fin System                    | 7926/7043 | SIZE  | 0 50 300 1000                | ANGLE                     | 1000 3000                     |                         |
|                               |           | TOL.  | mm ±1 ±2 ±3 ±4               | ±3°                       |                               |                         |
|                               |           | Projektion<br>Projection  |                              |                           |                               |                         |
|                               |           | 150005818701000100  | Dokument Nr. / Document No.: | 6892.002.4000             | Alte Mat. Nr. / Old Mat. No.: |                         |
|                               |           | Benennung / Description:  |                              | Nachkühler<br>AFTERCOOLER |                               |                         |
|                               |           | Material Nr. / Material No.:  |                              | 1102108000                |                               |                         |
|                               |           | Benennung / Description:  |                              | X-C-3560BG                |                               |                         |
|                               |           | THE INFORMATION HEREON IS THE<br>PROPERTY OF NANO-PURIFICATION<br>SOLUTIONS. ANY COPYING OR<br>TRANSMITTAL WITHOUT PERMISSION<br>FROM NANO-PURIFICATION<br>SOLUTIONS IS PROHIBITED. |                              |                           |                               |                         |
|                               |           | Logo: <b>nano</b><br>PURIFICATION SOLUTIONS   |                              |                           |                               |                         |
|                               |           | Doc-Typ:  |                              | A90                       |                               |                         |
|                               |           | Blatt   |                              | 1 von 2                   |                               |                         |
|                               |           | Sheet   |                              | 1 of 2                    |                               |                         |

REVIEW AND APPROVE  
DOCUMENT FOR PRODUCTION

APPROVAL: \_\_\_\_\_  
DATE: \_\_\_\_\_



|       |      |                         |            |      |
|-------|------|-------------------------|------------|------|
| Index | Rev. | Änderung / Modification | Datum Date | Name |
|       |      |                         |            |      |

PLUGS REMOVED FOR CLARITY

|  |           |  |                      |
|--|-----------|--|----------------------|
| Arbeitsdruck / Work Pressure                                       | 150 PSI   | Name:                                      | OLBERDING            |
| Prüfdruck / Test Pressure  | 215 PSI   | Datum / Date:                              | 7/2/18               |
| Farbe / Paint  | BLACK     | Bearbeitet Drawn                           | Geprüft Checked      |
| Fin System   | 7926/7043 | Freigegeben Released                       | Freigegeben Released |
| UNLESS OTHERWISE SPECIFIED ALL DIMENSIONS ARE mm AND ARE REFERENCE |           | Projection Projection                      |                      |
| 150 PSI  |           | Name: OLBERDING                            |                      |
| 215 PSI  |           | Datum / Date: 7/2/18                       |                      |
| BLACK  |           | Bearbeitet Drawn: Geprüft Checked          |                      |
| 7926/7043  |           | Freigegeben Released: Freigegeben Released |                      |
|  |           | Name: OLBERDING                            |                      |
|  |           | Datum / Date: 09.10.2018                   |                      |
|  |           | Bearbeitet Drawn: Geprüft Checked          |                      |
|  |           | Freigegeben Released: Freigegeben Released |                      |



THE INFORMATION HEREON IS THE PROPERTY OF NANO-PURIFICATION SOLUTIONS. ANY COPYING OR TRANSMITTAL WITHOUT PERMISSION FROM NANO-PURIFICATION SOLUTIONS IS PROHIBITED.

|                              |                    |                               |               |
|------------------------------|--------------------|-------------------------------|---------------|
| Dokument Nr. / Document No.: | 100005818701000100 | Alte Mat. Nr. / Old Mat. No.: | 6892.002.4000 |
| Benennung / Description:     |                    | X-C-3560BG                    |               |
| Material Nr. / Material No.: | 1102108000         | Mat. Rev.:                    | A90           |
| Nachkühler AFTERCOOLER       |                    | Blatt von Sheet 2 of 2        |               |