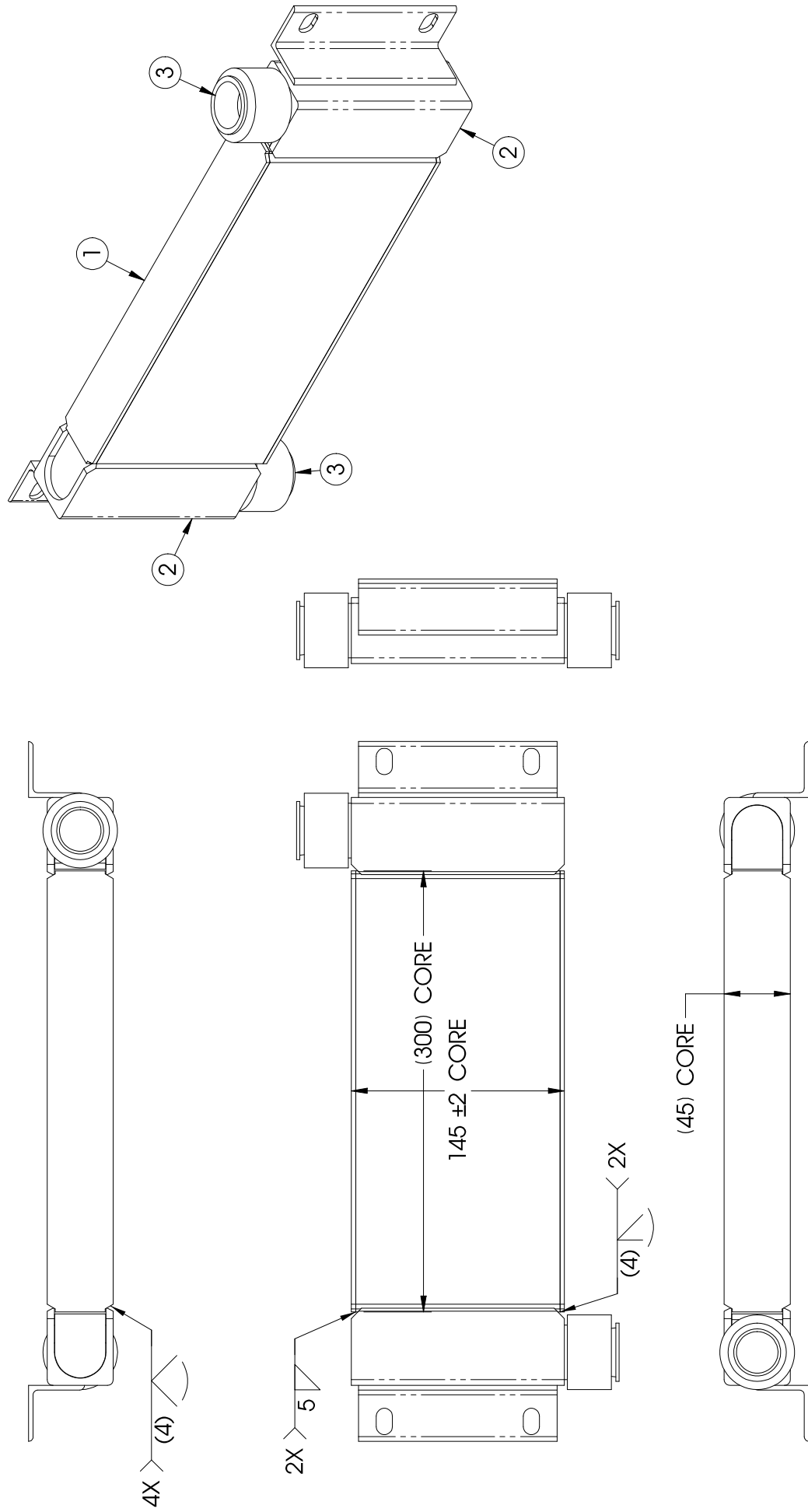


**REVIEW AND APPROVE
DOCUMENT FOR PRODUCTION**

APPROVAL: _____
DATE: _____

Index	Rev.	Änderung / Modification	Datum Date	Name



NOTES:
1. CENTER TANKS ON CORE.

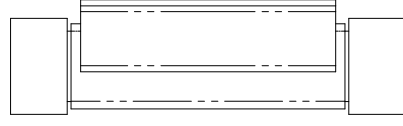
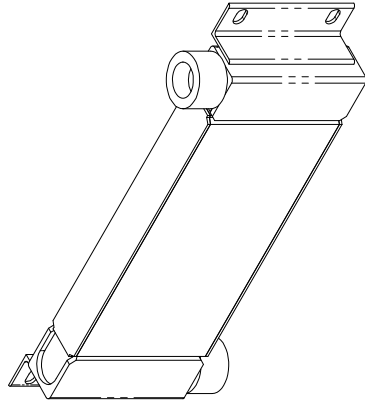
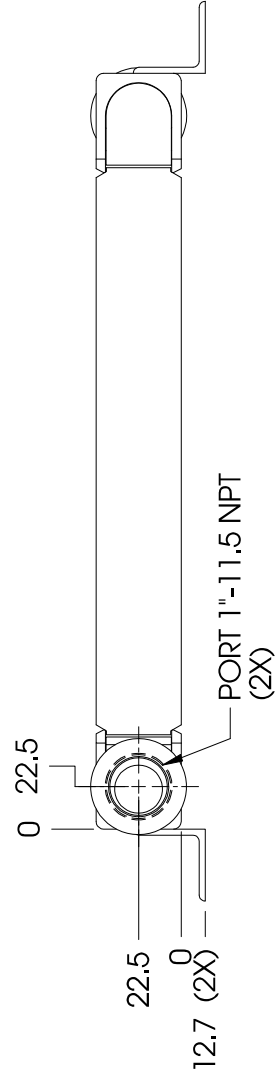
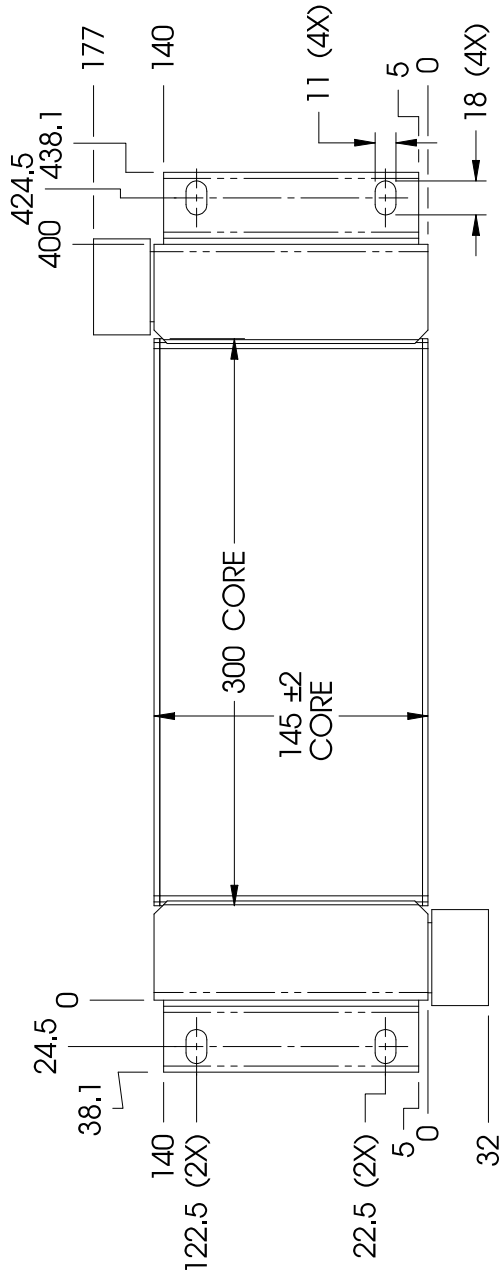
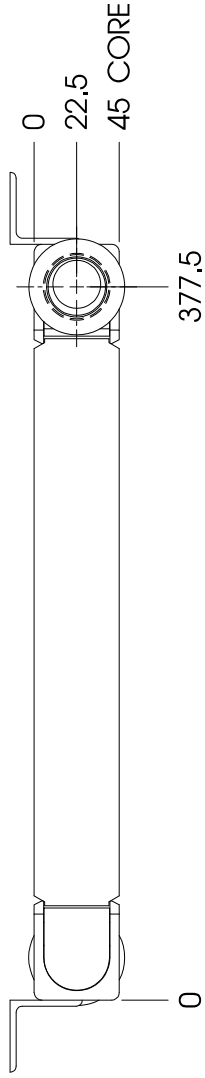
3	1600199400	0000.810.0006	2	Kegetropfen / PLASTIC PLUG (WF25)
2	1302284500	6892.002.4410	2	Sammelkasten / TANK WELDMENT
1	1200716000	6892.002.4100	1	Block / Core
Teil / Part	Materialnr. / Materialno.	Alte Materialnr. / Old Materialno.	Stück / QTY	Benennung / Description

Arbeitsdruck Work Pressure	150 PSI	UNLESS OTHERWISE SPECIFIED DIMENSIONS ARE MILLIMETERS AND THE FOLLOWING METRIC DEVIATIONS ARE ACCEPTABLE		Datum Date:	Name:		Dokument Nr. / Document No.:	Alte Mat. Nr. / Old Mat. No.:								
Prüfdruck Test Pressure	215 PSI	SIZE	mm	0	50	300	1000	3000	7/2/18	OLBERDING		100005818701000100	6892.002.4000			
Farbe Paint	BLACK	TOL.	mm	±1	±2	±3	±4	±3°	09.10.2018	T.Holländer		Benennung / Description: Nachkühler AFTERCooler X-C-70100BG				
Fin System	7926/7043	Freigegeben Released		09.10.2018	M.Olberding		Material Nr. / Material No.:		Mat. Rev.:		1102108000		Doc-Typ.: A90	Blatt Sheet	von 1	of 2



REVIEW AND APPROVE
DOCUMENT FOR PRODUCTION

APPROVAL: _____
DATE: _____



PLUGS REMOVED FOR CLARITY

Arbeitsdruck / Work Pressure		150 PSI	Name:		OLBERDING
Prüfdruck / Test Pressure		215 PSI	Datum / Date:		7/2/18
Farbe / Paint		BLACK	Bearbeitet / Drawn		Geprüft / Checked
Fin System		7926/7043	Freigegeben / Released		09.10.2018
		-	Freigegeben / Released		09.10.2018
		-	Name:		M. Olberding



THE INFORMATION HEREON IS THE PROPERTY OF NANO-PURIFICATION SOLUTIONS. ANY COPYING OR TRANSMITTAL WITHOUT PERMISSION FROM NANO-PURIFICATION SOLUTIONS IS PROHIBITED.

Dokument Nr. / Document No.: **100005818701000100**
 Alte Mat. Nr. / Old Mat. No.: **6892.002.4000**

Benennung / Description: **Nachkühler AFTERCOOLER X-C-70100BG**

Material Nr. / Material No.: **1102108000**
 Mat. Rev.: **A90**
 Doc-Typ.: **A90**
 Blatt von **2** / Sheet 2 of 2