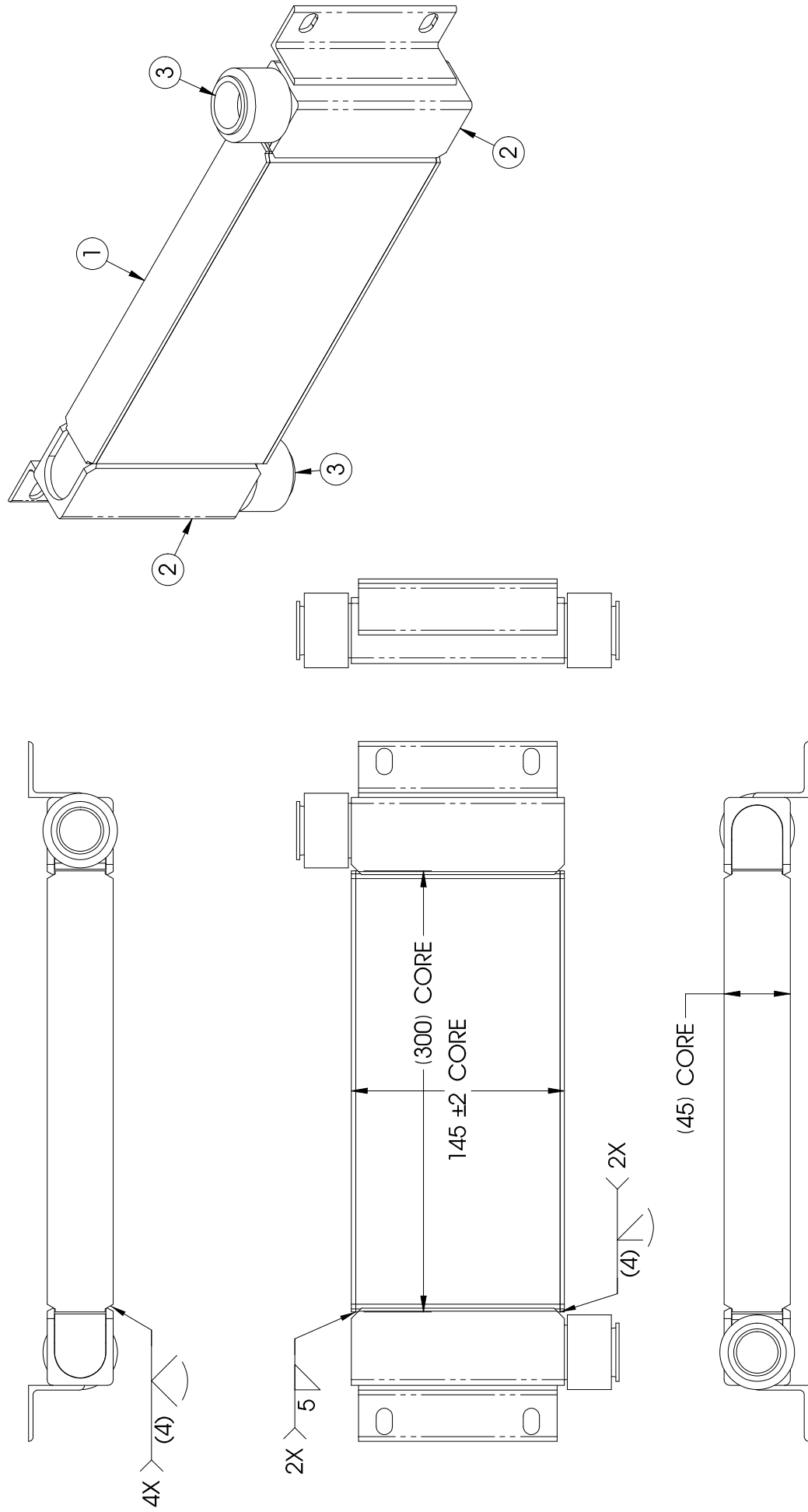


**REVIEW AND APPROVE  
DOCUMENT FOR PRODUCTION**

APPROVAL: \_\_\_\_\_  
DATE: \_\_\_\_\_

Index	Rev.	Änderung / Modification	Datum Date	Name



**NOTES:**  
1. CENTER TANKS ON CORE.

3	1600199400	0000.810.0006	2	Kegetropfen / PLASTIC PLUG (WF25)
2	1302284500	6892.002.4410	2	Sammelkasten / TANK WELDMENT
1	1200716000	6892.002.4100	1	Block / Core
Teil / Part	Materialnr. / Materialno.	Alte Materialnr. / Old Materialno.	Stück / QTY	Benennung / Description

Arbeitsdruck Work Pressure	150 PSI	Datum Date:	7/2/18	Name:	OLBERDING
Prüfdruck Test Pressure	215 PSI	Bearbeitet Drawn		Geprüft Checked	T.Holländer
Farbe Paint	BLACK	Freigegeben Released	09.10.2018		M.Olberding
Fin System	7926/7043				

UNLESS OTHERWISE SPECIFIED DIMENSIONS ARE MILLIMETERS AND THE FOLLOWING METRIC DEVIATIONS ARE ACCEPTABLE	
SIZE	ANGLE
mm	0 50 300 1000 3000
TOL.	±1 ±2 ±3 ±4 ±3°

Projektion Projection	
--------------------------	--

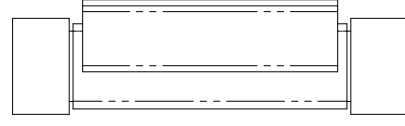
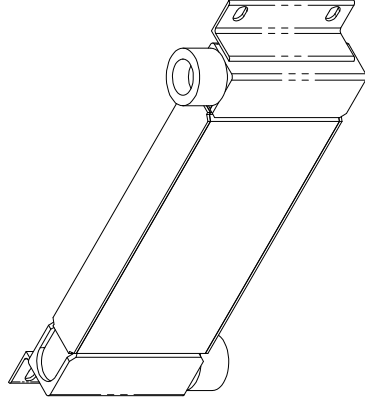
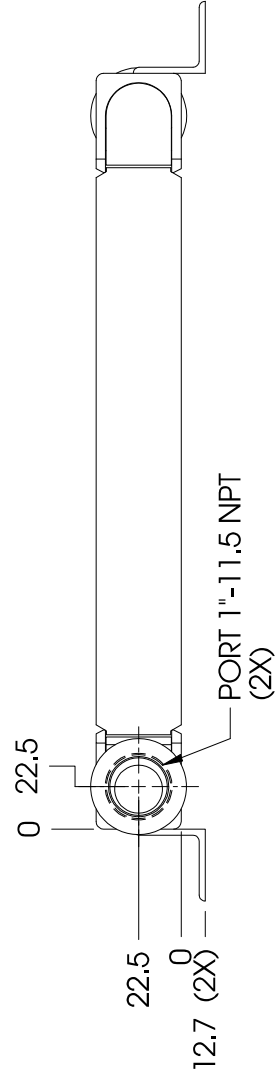
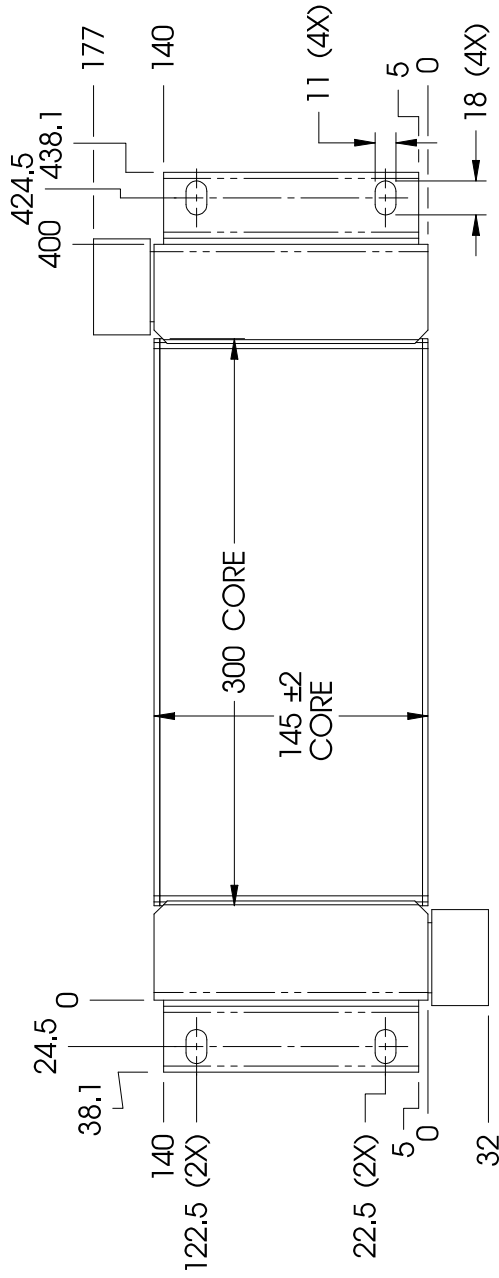
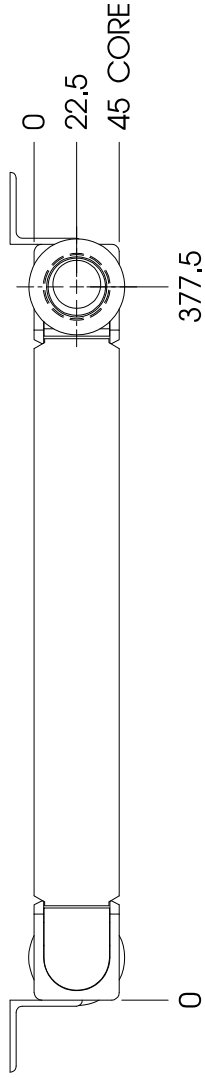
150 PSI	215 PSI	BLACK	7926/7043	-
---------	---------	-------	-----------	---

Dokument Nr. / Document No.:	100005818701000100	Alte Mat. Nr. / Old Mat. No.:	6892.002.4000
Benennung / Description:			
Nachkühler AFTERCooler		X-C-70100BG	
Material Nr. / Material No.:	1102108000	Mat. Rev.:	A90

Blatt Sheet	1 1	von of	2 2
----------------	--------	-----------	--------

REVIEW AND APPROVE  
DOCUMENT FOR PRODUCTION

APPROVAL: \_\_\_\_\_  
DATE: \_\_\_\_\_



PLUGS REMOVED FOR CLARITY

Arbeitsdruck / Work Pressure		150 PSI	Name:		OLBERDING
Prüfdruck / Test Pressure		215 PSI	Datum / Date:		7/2/18
Farbe / Paint		BLACK	Bearbeitet / Drawn		Geprüft / Checked
Fin System		7926/7043	Freigegeben / Released		09.10.2018
		-	Freigegeben / Released		09.10.2018
		-	Name:		M. Olberding
		-	Datum / Date:		09.10.2018
		-	Bearbeitet / Drawn		09.10.2018
		-	Freigegeben / Released		09.10.2018
UNLESS OTHERWISE SPECIFIED ALL DIMENSIONS ARE mm AND ARE REFERENCE			Projection Projection 		
<p>THE INFORMATION HEREON IS THE PROPERTY OF NANO-PURIFICATION SOLUTIONS. ANY COPYING OR TRANSMITTAL WITHOUT PERMISSION FROM NANO-PURIFICATION SOLUTIONS IS PROHIBITED.</p>					
Dokument Nr. / Document No.:		100005818701000100		Alte Mat. Nr. / Old Mat. No.:	
Benennung / Description:		Nachkühler AFTERCOOLER		6892.002.4000	
Material Nr. / Material No.:		1102108000		X-C-70100BG	