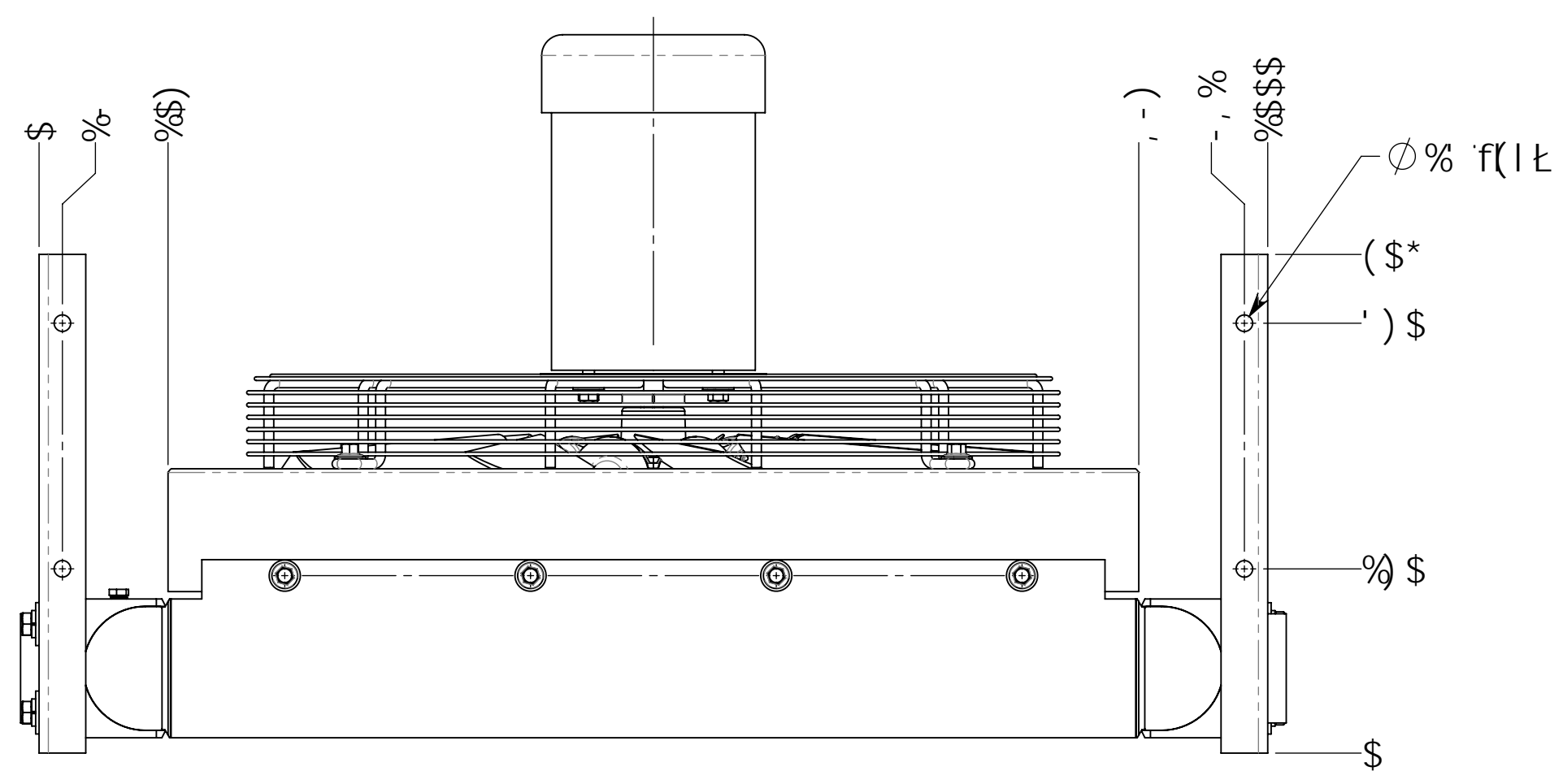
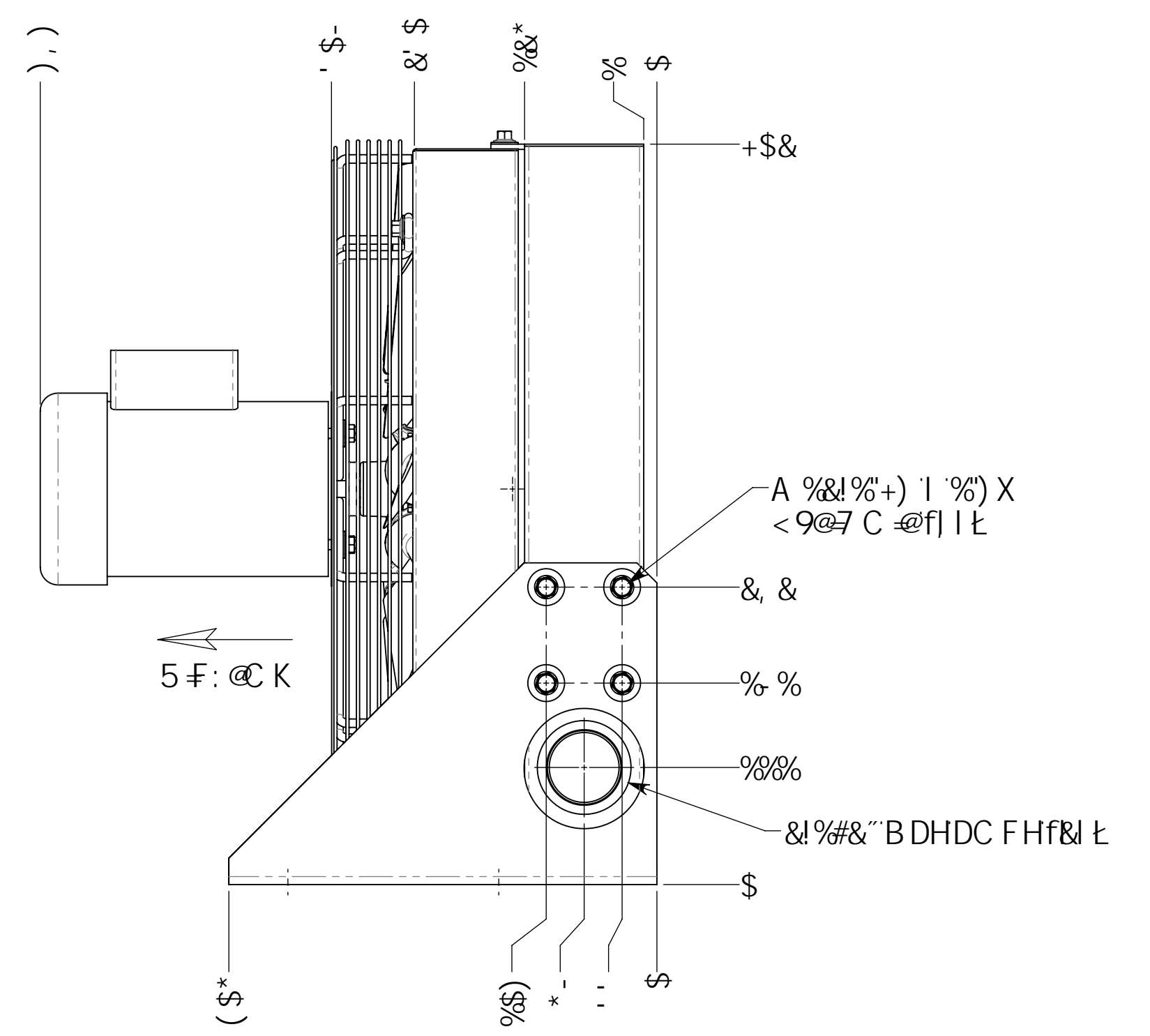
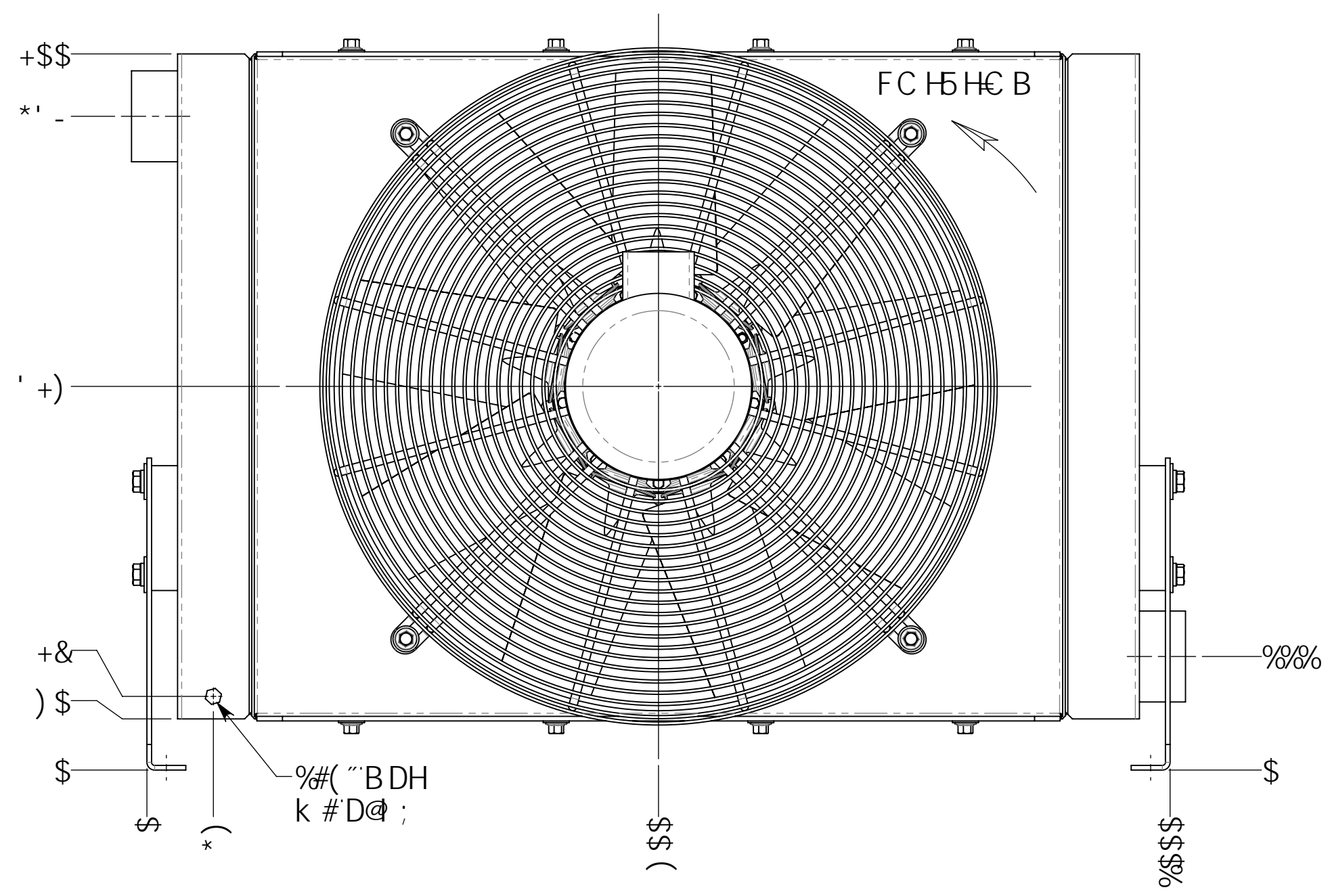


		F9J G€ B	
F9J "	97 B	8 9G7 F ðHC B	85Hð
9		F98F5K B ðB GC @8K C F?G	+ #&+ #&\$\$*
:		5XXYX <UfXk Ufy 'hc '8fuk]b[' #+ #&\$%
			89G# B9F
			A 5; 5B
			BuWY

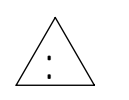


K c f_ d f y g j f y f d g l: f A U l t	&) \$	I B @GGC H 9FK €9'GD97 ÷ 98% "8]a YbgjcbgUfy 'a a "&" 5 "X]a YbgjcbgUfy'f y Z f y b W ' i b Y g g'hc Y f u b W ' j g d Y W Z Y X"
H y g h D Y g j f y f d g l: f A U l t	' * \$	
A U l ' H r a d Y f u h f y f b t	&) \$	
DU]bh	6@7?	
DUfhBc.	X-7 7 %\$\$\$!'	

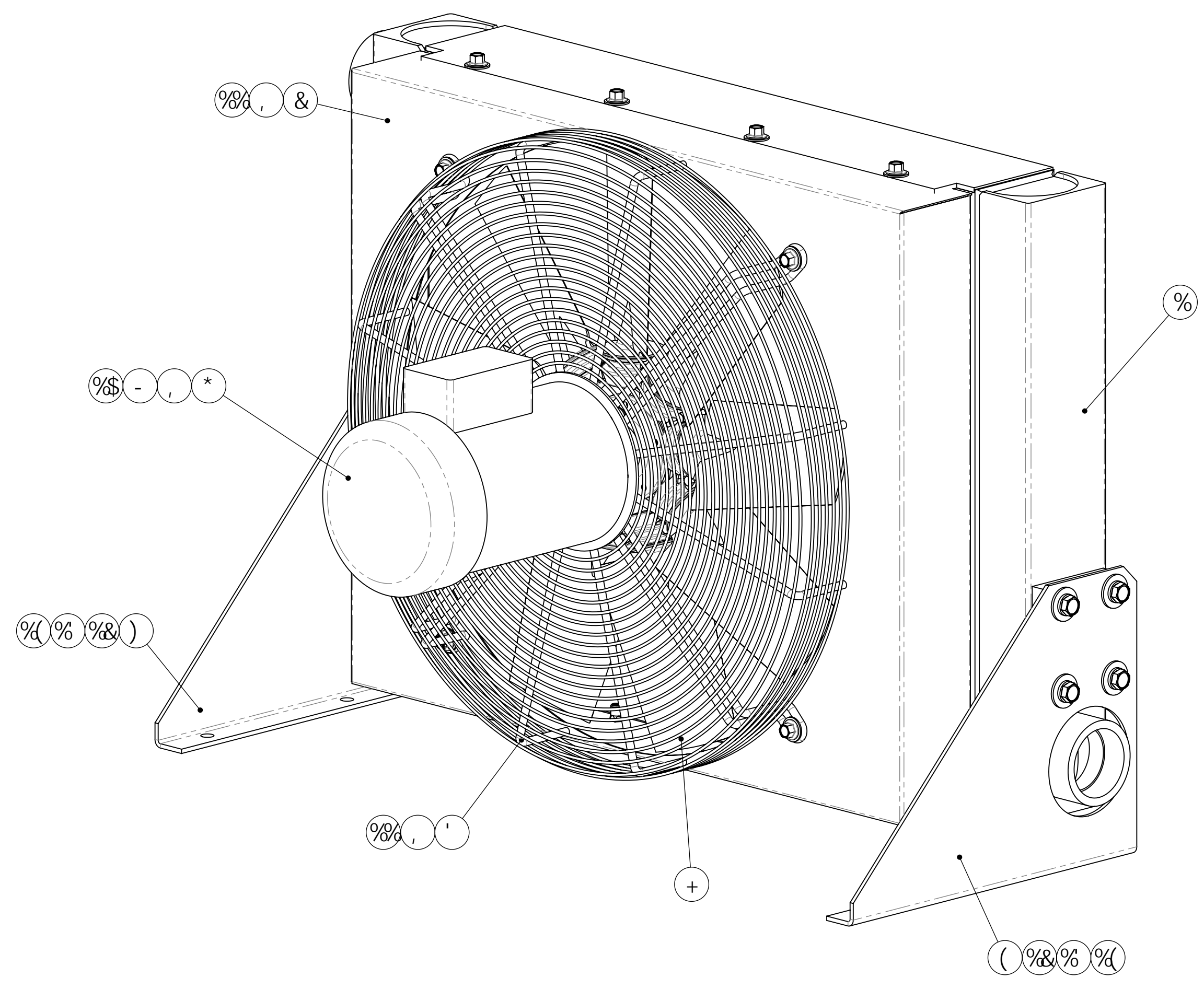


THE INFORMATION HEREON IS THE PROPERTY OF NANO-PURIFICATION SOLUTIONS. ANY COPYING OR TRANSMITTAL WITHOUT PERMISSION FROM NANO-PURIFICATION SOLUTIONS IS PROHIBITED	
8FK B '6M	J 5BB
85Hð.) #% # - ,
9B; F.	K < ð

H#H@9		X-7 7 %\$\$\$!'	
8K ; "BC"	' + \$' "\$% "\$\$\$\$	F 9J "	:
D5; 9.	%c Z&		




F9J GCB				
F9J "	97 B	89G7 F DHC B	85H9	89G# B9F
!	!	GYG'G'YYH%	!	!



%(,	, \$) ("\$("\$\$\$\$	@K 'GDF' %&'L", *- "C 8"; F&NF
%	,	, \$) "\$%\$+"\$\$\$\$	6@H<L'<8'A %&l %+) 'L &) a a '7 @", 'NF
%&	,	, \$) ("\$(&'\$\$\$\$: @K '%#&'L' %' #, "C 8"; F) 'NF
%%	%&	, \$) "\$\$- , "\$\$\$\$	6@H<L': @ 'A %\$L%) 'L &\$a a '7 @", 'NF
%\$	(, \$) "\$\$)", "\$\$\$\$	6@H<L'<8' #, !%* 'L' %"; F) 'NF
-	(, \$) ("\$(+ "\$\$\$\$	@K 'GDF' #, 'L' "*", "C 8"; F&NF
,	%*	, \$) ("\$(* "\$\$\$\$: @K ' #, 'L' % "C 8"; F) 'NF
+	%	, (\$\$"%&- "\$\$&)	: 5B '&(')!-!(N@DD; !&) 6F: >5) #, '1' #%* 'Z) # &"
*	%	, (\$+ "%&(' (%\$)	@Ygc: b'A c h c f &< D) * 7 / D < / %+ (\$ FDA 'H: 7
)	%	' + \$' "\$% "\$\$\$\$&	A ci bh]b['6fUW_Yhf@Zt
(%	' + \$' "\$% "\$\$\$\$	A ci bh]b['6fUW_YhfF][\t
'	%	% + &' "\$% ("(\$ \$	&('": Ub'; i UfX
&	%	' + \$' "\$% "(\$%\$	&('": Ub' G f c i X
%	%	' + \$' "\$% "(\$\$\$	X-7 7! %\$\$\$! 7
#PA BC "	E HM	D5 FHBI A 69F	89G7 F DHC B

K c f_ DfYgg fy fd gl: fA UI t	&) \$	I B @GG' C H: 9FK G9' GD97 ÷ 98 "8]a Ybg]c bg' Ufy 'a a " &" 5 "X]a Ybg]c bg' Ufy ' fy ZYfy bW' i b Ygg hc YfubW 'jgd YWZYX"
H y g h DfYgg fy fd gl: fA UI t	' * \$	
A UI 'H a d YfUH fy fB t	&) \$	
DU]bh	6@57?	
DUfh' Bc .	X-7 7 %\$\$\$!	



www.nano-purification.com

THE INFORMATION HEREON IS THE PROPERTY OF NANO-PURIFICATION SOLUTIONS. ANY COPYING OR TRANSMITTAL WITHOUT PERMISSION FROM NANO-PURIFICATION SOLUTIONS IS PROHIBITED

H#H@9

X-7 7 %\$\$\$!

8FK B'6M	J 5BB	8K ; "BC" ' + \$' "\$% "\$\$\$\$	F9J" :
85H9.) # % # ,		
9B; F.	K < #9		
		D5; 9.	&cZ&