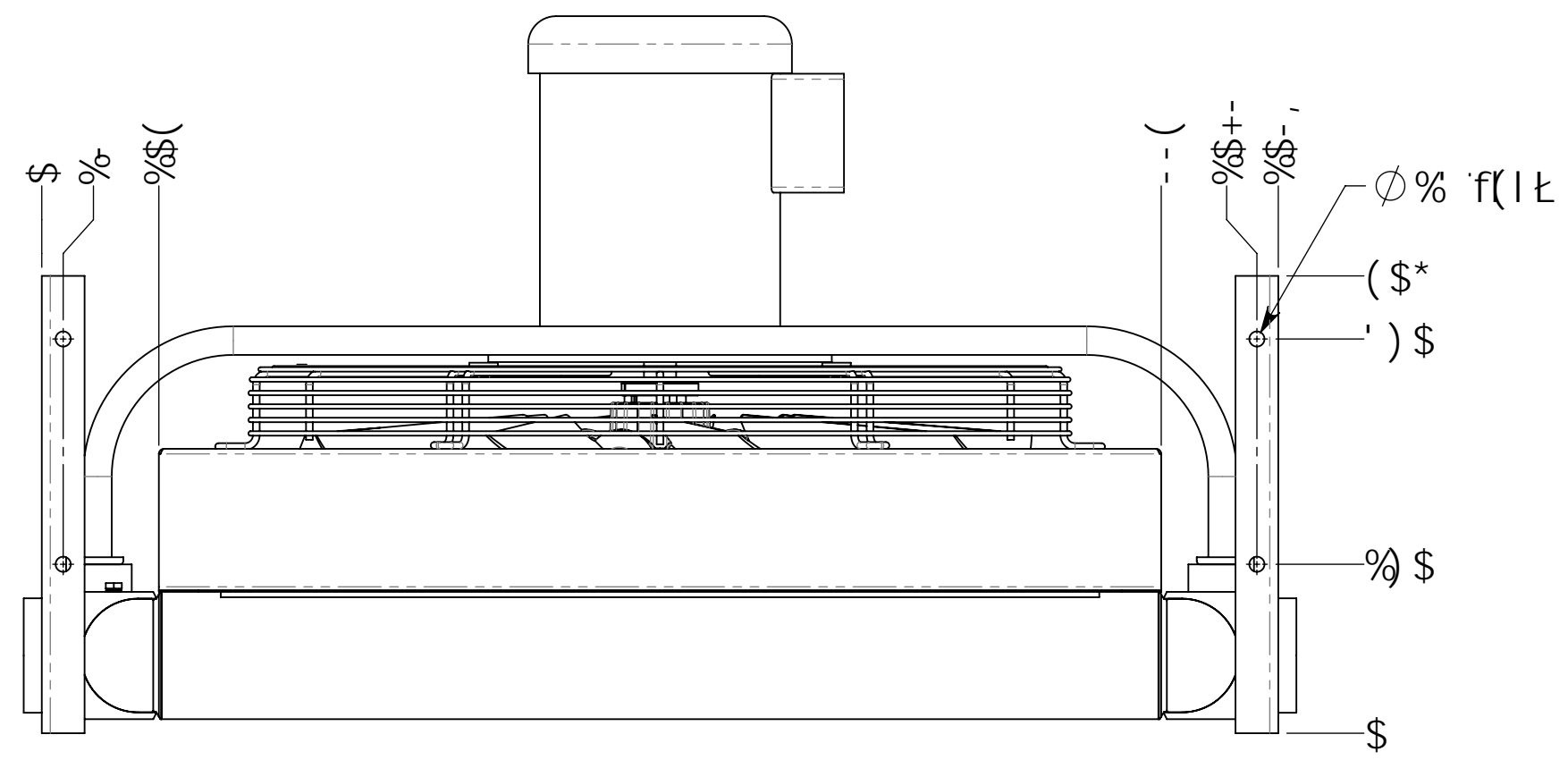
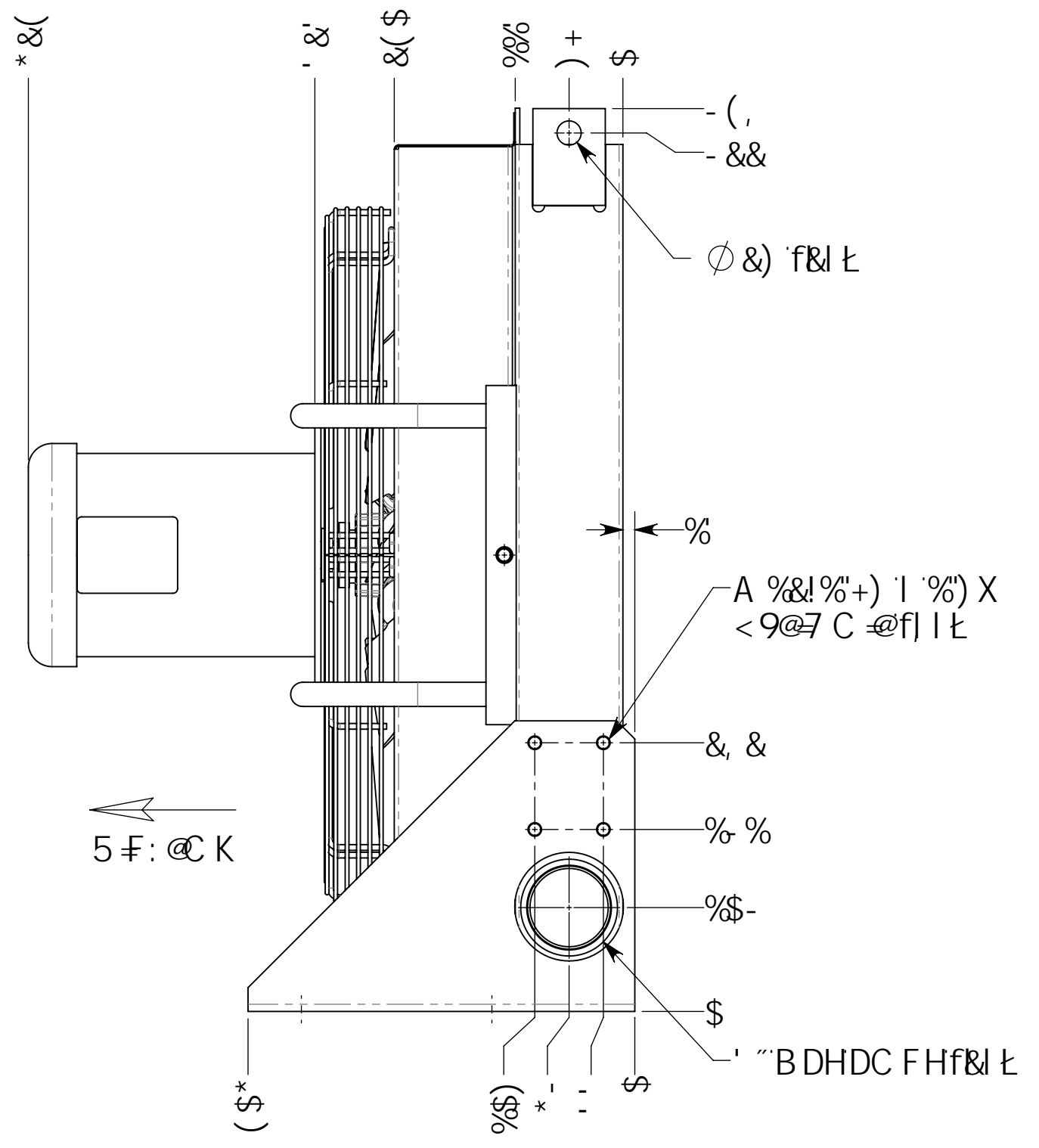
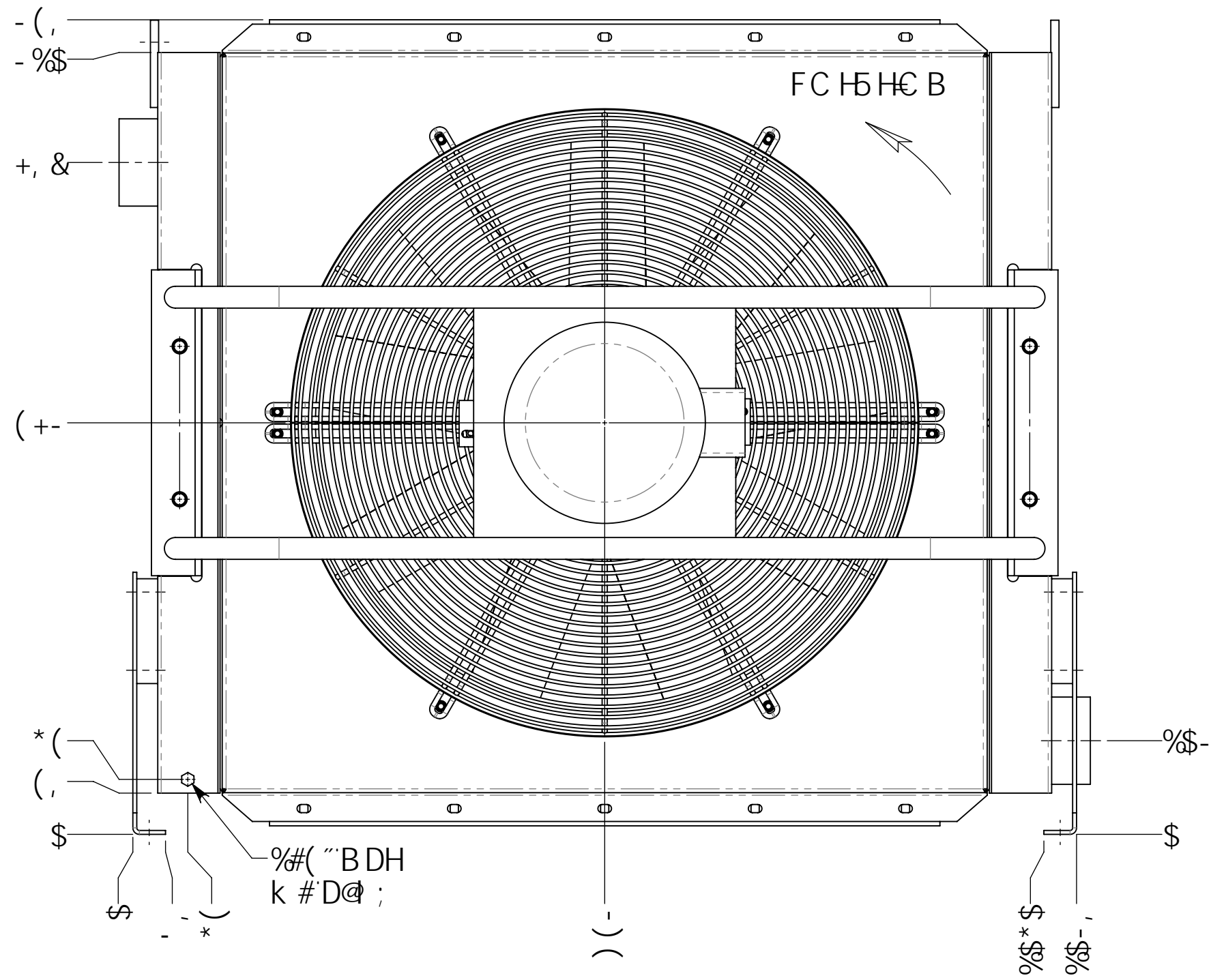


F9J " 97 B		8 9G7 F DH C B		85H9	8 9G7 B 9F
7		FYXfUk b]b Gc]XK cf_g		- #%(#&\$%%	B U b W



K c f_ DfYgj fy f d g l: fA U l t	&) \$	I B @GG' C H: 9FK G9'GD97 ÷ 98% "8]a YbgjcbgUfy 'a a "&"5 "X]a YbgjcbgUfy 'fyZYfybW' i bYgghc YfU bW 'jgdYWZYX"
H'ghDYgj fy f d g l: fA U l t	' * \$	
A U l 'H'a dYfU h fy f b l t	&) \$	
DU]bh	6@7?	
DUfhB.c.	!	

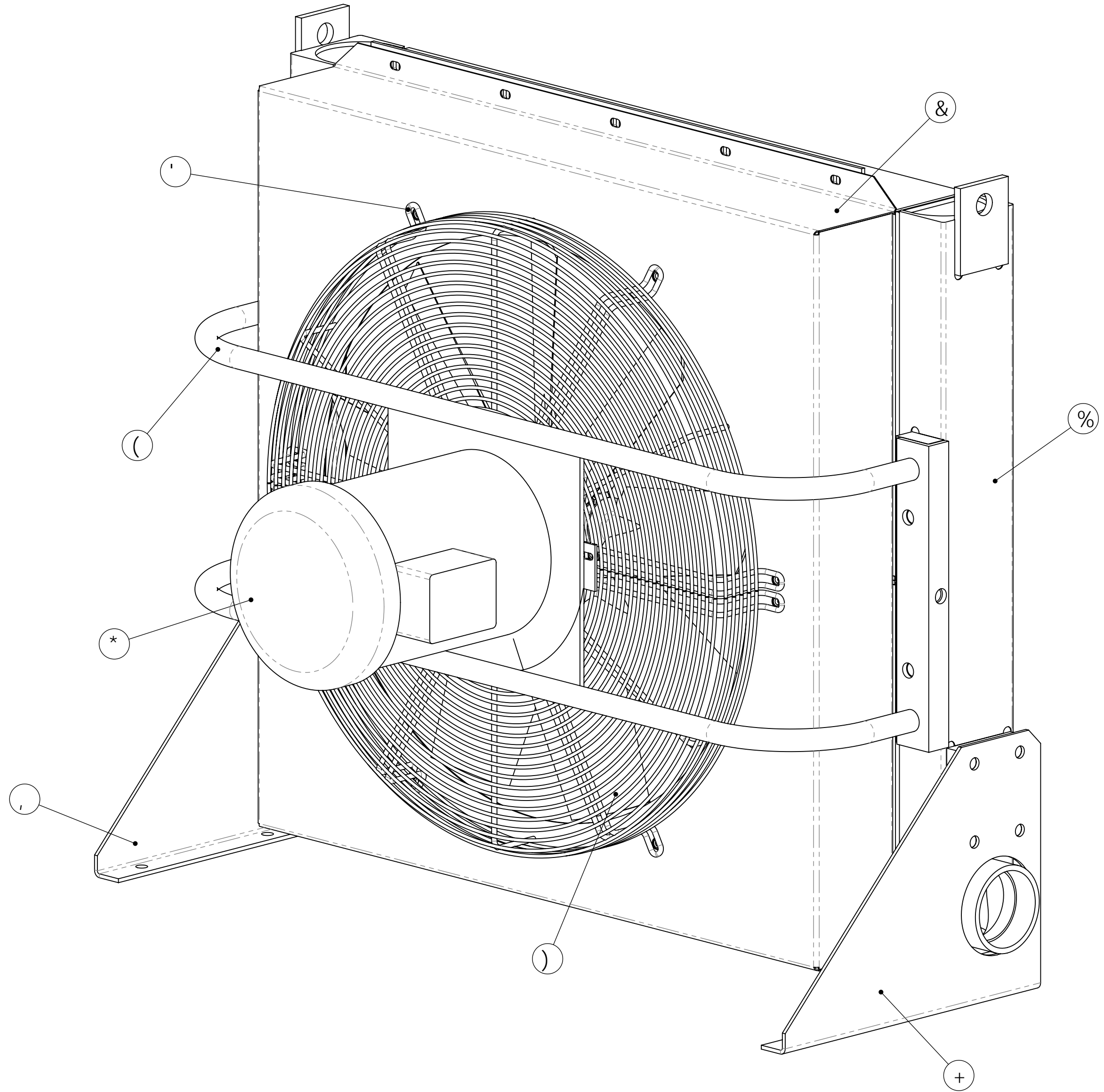
nano
www.nano-purification.com

THE INFORMATION HEREON IS THE PROPERTY OF NANO-PURIFICATION SOLUTIONS. ANY COPYING OR TRANSMITTAL WITHOUT PERMISSION FROM NANO-PURIFICATION SOLUTIONS IS PROHIBITED

8FK B '6M	J Ubb
85H9.	+#%ot#-,
9B; F.	K \jny

H#H@9		X-7 7 %* \$\$\$!	
8K ; "BC"	' +\$' "\$' %\$\$\$\$	F 9J"	!
D5; 9.	%cZ&		

F9J GCB				
F9J "	97 B	8 9G7 F-ĐHC B	85HĐ	8 9G# B 9F
!	!	GYG\YYH%	!	!



,	%	' +\$' "\$% " \$\$\$&	A ci bh]b['6fUW_Yhf@ZŁ
+	%	' +\$' "\$% " \$\$\$%	A ci bh]b['6fUW_YhfF][\ł
*	%	, (\$+"%&("(\$+\$	A chcf) <D/% (H7 / D</%+&) 'FDA 'HĐ: 7
)	%	, (\$\$"%* ("\$\$&*	: Ubž&* "8]Ua Yhf
(%	' +\$' "\$&%"\$\$*\$	A chcfA ci bh6fUW_Yh
'	%	% +&"\$%+"('\$' \$: 5B ; I 5F8 ! '&D7 "f&+" : 5BŁ
&	%	' +\$' "\$&%"(\$%\$	G<FC I 8
%	%	' +\$' "\$' %"(\$\$\$	X-7 7 !%* \$\$\$!7
+ĐA BC "	E HM	D5FHBI A 69F	8 9G7 F-ĐHC B

K cf_ĐYgj fy řđ gl:řA UI Ł	&) \$	I B @GG' C H- 9FK -G9'GD97 ÷ 98
H'ghĐYgj fy řđ gl:řA UI Ł	' *\$	"% "8]a Ybg]cbgUfy 'a a "
A UI 'H'a dYfUfH fy řđ Ł	&) \$	"&" 5 "X]a Ybg]cbgUfy
DU]bh	6@57?	fyZYfybW' i bYgg
DUfhiBc.	!	řc YfUbwW 'jgdYWZYX"

nano
www.nano-purification.com

THE INFORMATION HEREON IS THE PROPERTY OF
NANO-PURIFICATION SOLUTIONS. ANY COPYING
OR TRANSMITTAL WITHOUT PERMISSION FROM
NANO-PURIFICATION SOLUTIONS IS PROHIBITED

H#H@9		X-7 7 %* \$\$\$!	
8FK B '6M	J Ubb	8K ; "BC"	F 9J "
85HĐ	+ #/ot#- ,	' +\$' "\$' %\$\$\$\$!
9B; F.	K \jH	D5; 9.	&cZ&