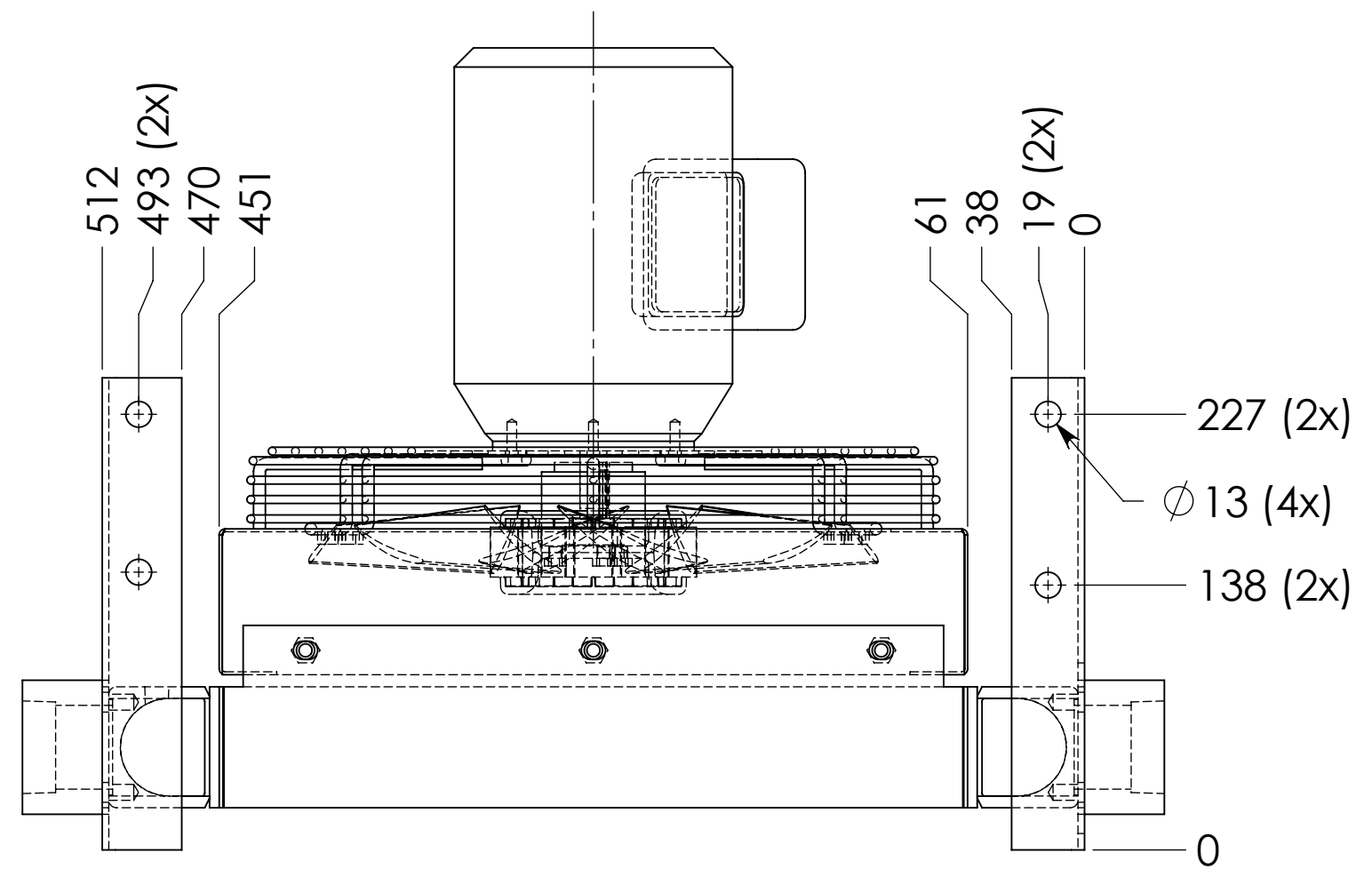
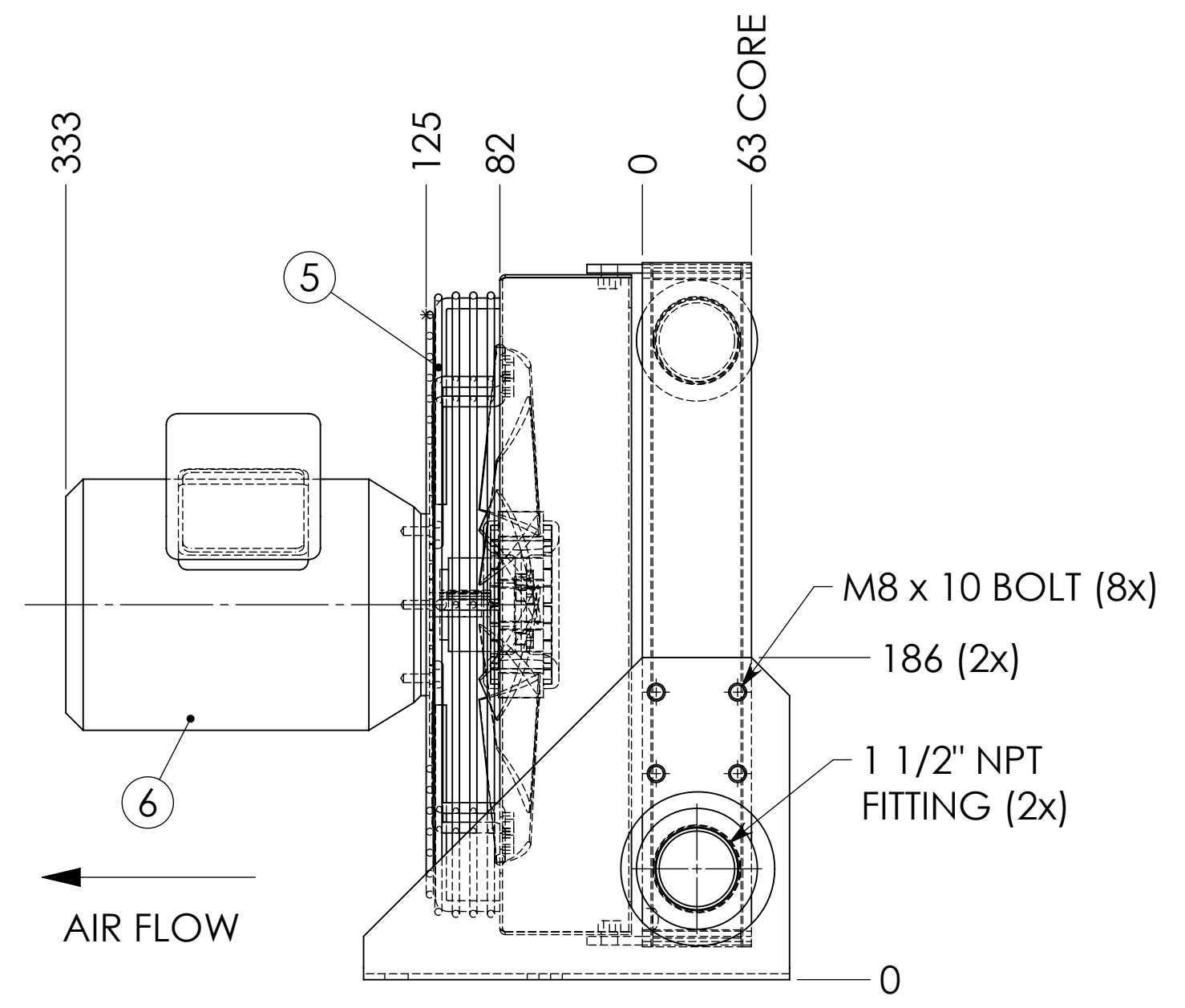
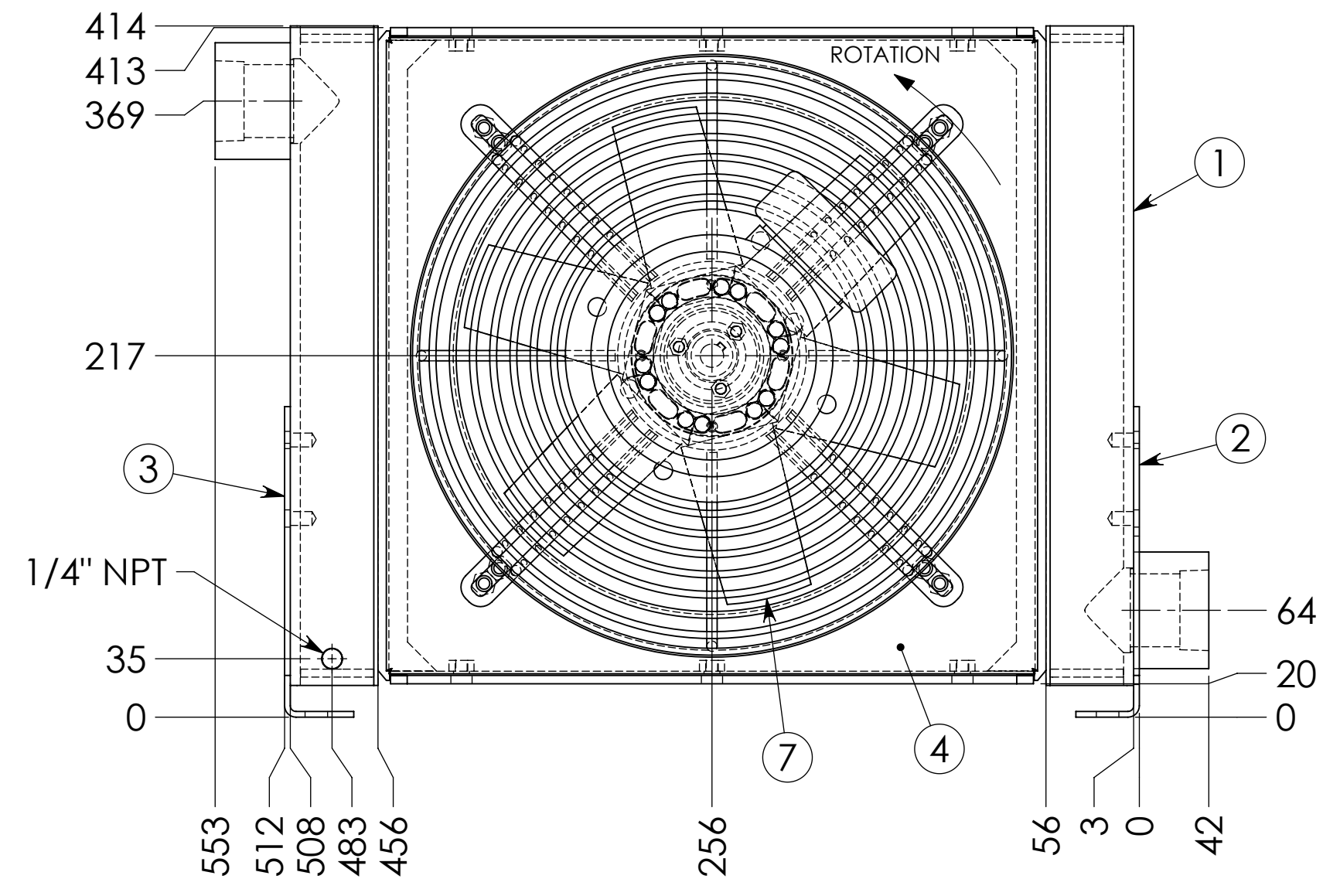


REV.	ECN	REVISION DESCRIPTION	DATE	DESIGNER
E	137-01	1 1/2" NPT was 1 1/4" NPT. Mtg. brkt hole was $\phi$ 83	08/10/01	Vann
F	-	Redrawn in SW	09/12/07	Herron



ITEM NO.	QTY.	PART NUMBER	DESCRIPTION
7	1	8400.130.0012	Fan 11.75-6-2L-PPG-30°BH 14mm X 5mm
6	1	8407.115.4002	Motor 1/2HP, D71C, 3PH, 3450 RPM TEFC
5	1	3703.158.4030	Fingerguard
4	1	3703.158.4010	Shroud
3	1	3703.020.0002	Mounting Bracket
2	1	3703.020.0001	Mounting Bracket
1	1	3703.020.4000	X-CC-200-C Cooler

Work Pressure (psi) (Max)	250
Test Pressure (psi) (Max)	190
Max Temperature (°F)	-
Paint	BLACK
Part No:	-

UNLESS OTHERWISE SPECIFIED  
 1. Dimensions are mm.  
 2. All dimensions are reference unless tolerance is specified.



THE INFORMATION HEREON IS THE PROPERTY OF NANO-PURIFICATION SOLUTIONS. ANY COPYING OR TRANSMITTAL WITHOUT PERMISSION FROM NANO-PURIFICATION SOLUTIONS IS PROHIBITED.	
DRWN BY:	Herron
DATE:	09/12/07
ENGR:	Burress

TITLE		X-CC-200-3 Cooler Assembly	
DWG. NO.	3703.020.0000	REV.	F
PAGE:	1 of 1		