

Work Pressure (psi) (Max)	250
Test Pressure (psi) (Max)	190
Max Temperature (°F)	250
Paint	BLACK
Part No:	X-CC2000-3

UNLESS OTHERWISE SPECIFIED
 1. Dimensions are mm.
 2. All dimensions are reference unless tolerance is specified.

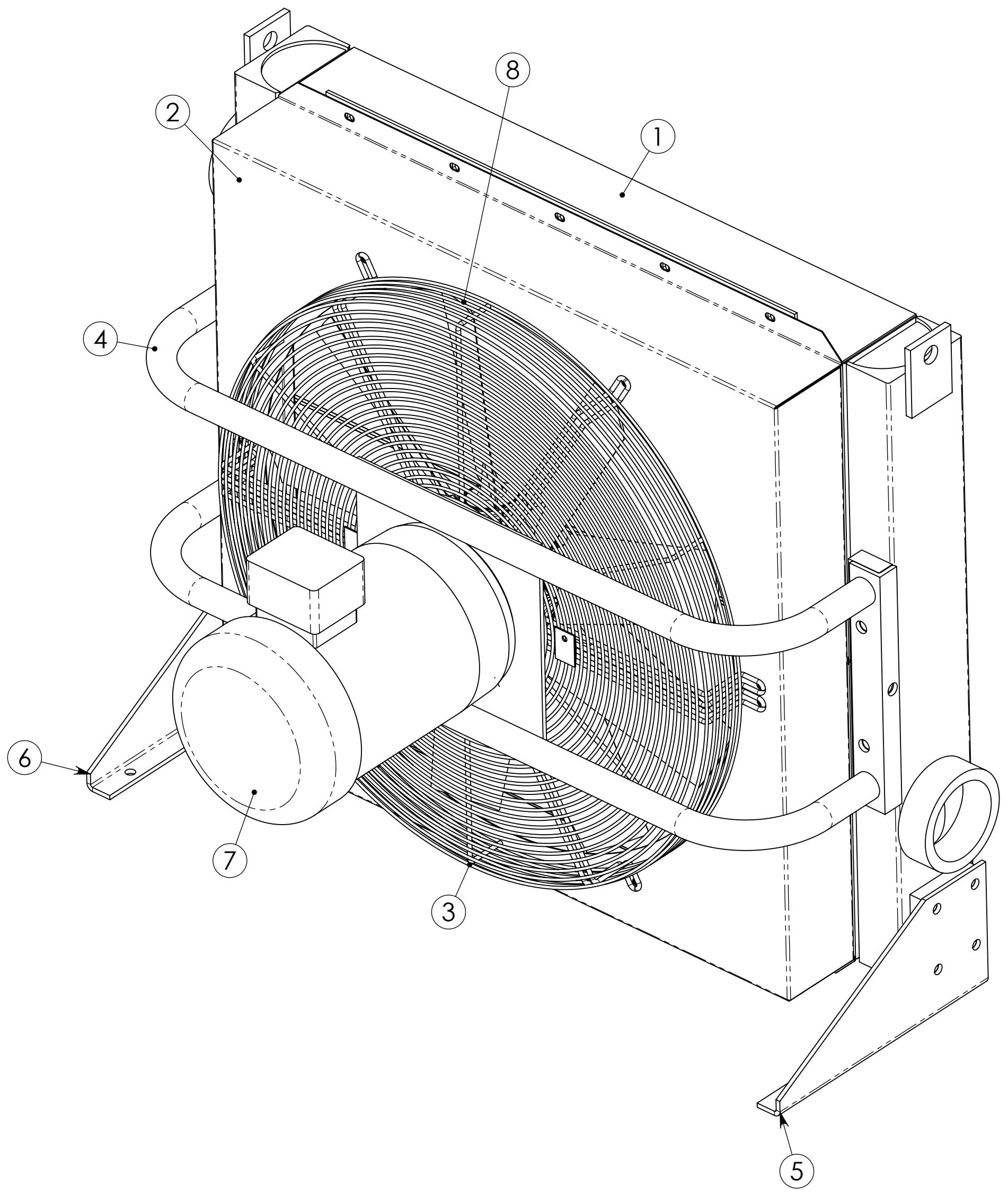


THE INFORMATION HEREON IS THE PROPERTY OF NANO-PURIFICATION SOLUTIONS. ANY COPYING OR TRANSMITTAL WITHOUT PERMISSION FROM NANO-PURIFICATION SOLUTIONS IS PROHIBITED

DRWN BY:	Burress
DATE:	01/19/07
ENGR:	Burress

TITLE		X-CC2000-3	
DWG. NO.	3703.108.0000	REV.	B
PAGE:	1 of 2		

REVISION				
REV.	ECN	DESCRIPTION	DATE	DESIGNER
B	-	Redrawn on SolidWorks	01/19/07	Burress



8	1	8400.147.0030	30" Fan
7	1	8407.119.4008	Electric Motor
6	1	3703.021.0002	Left Mounting Bracket
5	1	3703.021.0001	Right Mounting Bracket
4	1	3703.072.0060	Motor Mount
3	1	3518.005.4030	Fingerguard 30" dia
2	1	3703.072.4010	Shroud
1	1	3703.108.4000	X-CC2000-C
ITEM NO.	QTY.	PART NUMBER	DESCRIPTION

Work Pressure (psi) (Max)	250
Test Pressure (psi) (Max)	190
Max Temperature (°F)	250
Paint	BLACK
Customer Part No:	X-CC2000-3

UNLESS OTHERWISE SPECIFIED
 1. Dimensions are mm.
 2. All dimensions are reference unless tolerance is specified.

nano
 www.nano-purification.com

THE INFORMATION HEREON IS THE PROPERTY OF NANO-PURIFICATION SOLUTIONS. ANY COPYING OR TRANSMITTAL WITHOUT PERMISSION FROM NANO-PURIFICATION SOLUTIONS IS PROHIBITED

DRWN BY:	Burress
DATE:	01/19/07
ENGR:	Burress

TITLE	
X-CC2000-3	
DWG. NO.	REV.
3703.108.0000	B
PAGE:	
2 of 2	