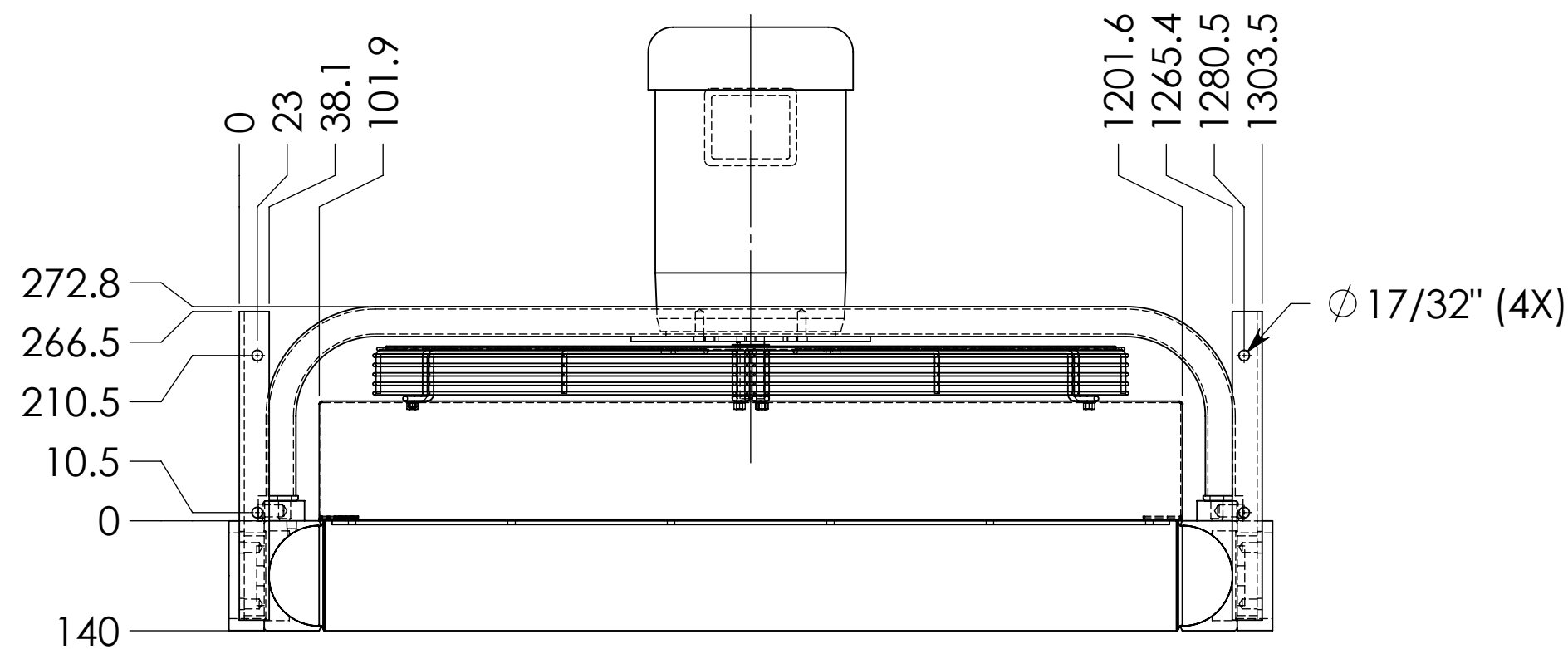
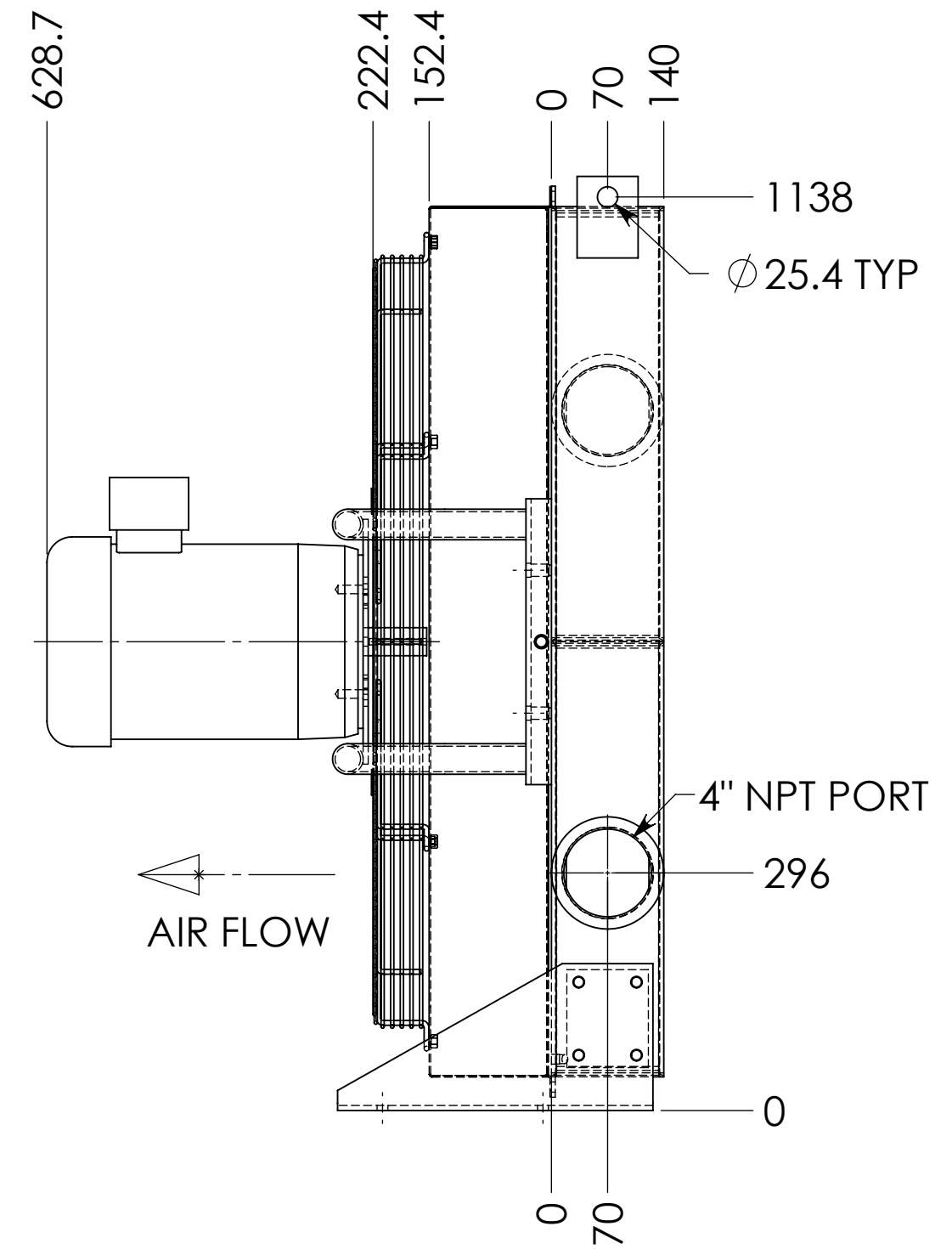
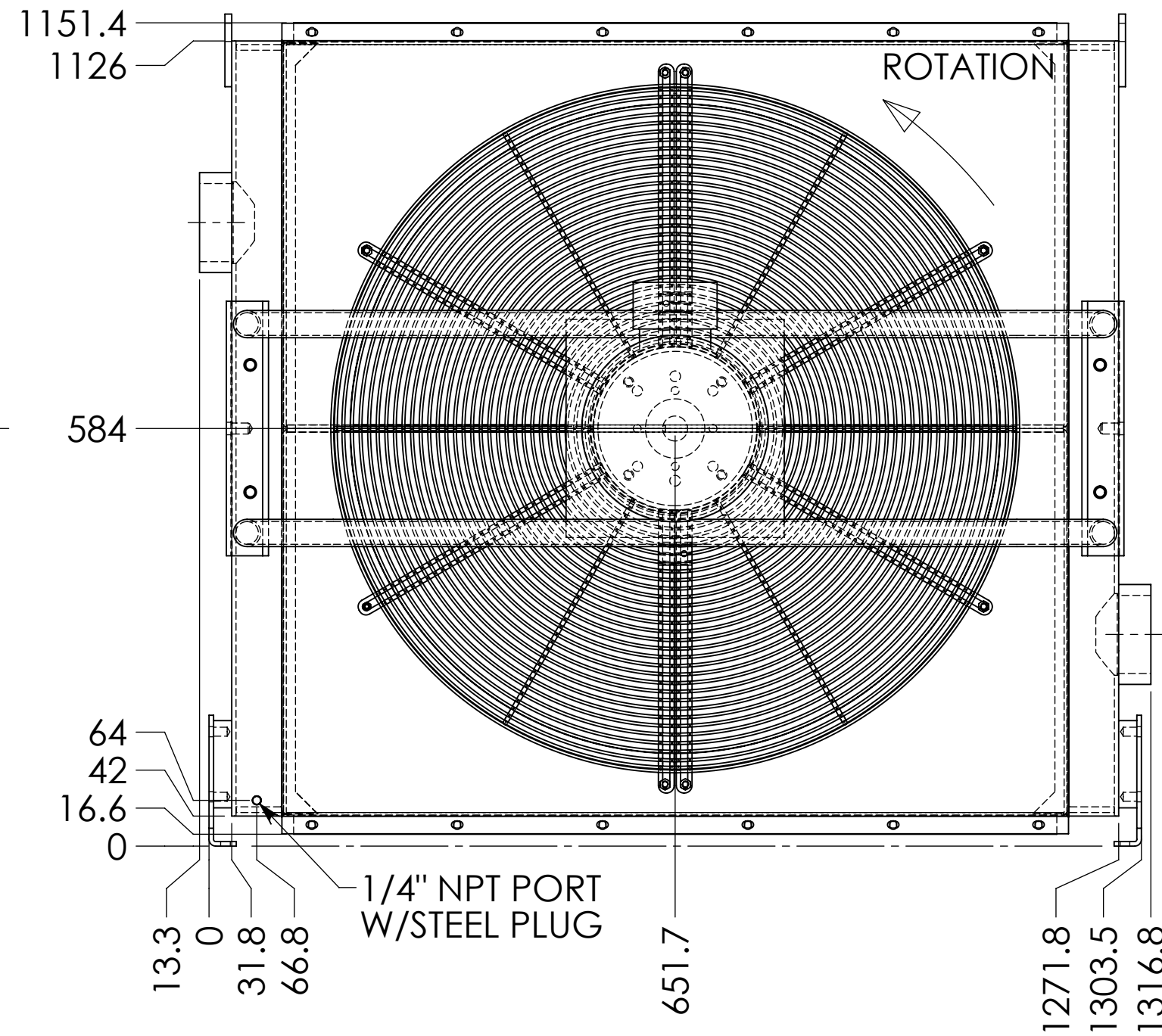
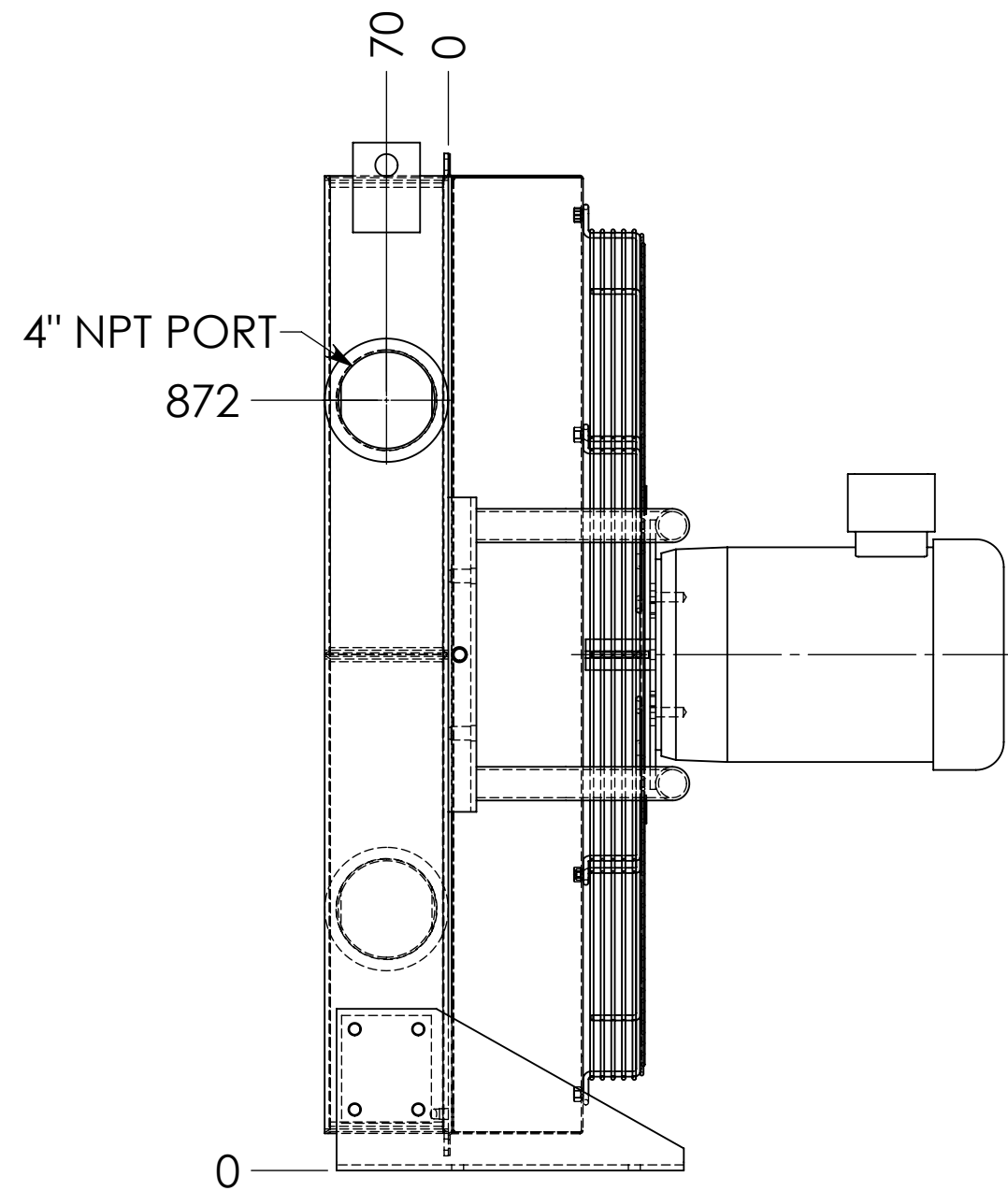


REVISION				
REV.	ECN	DESCRIPTION	DATE	DESIGNER
C	-	Redrawn on SolidWorks	09/01/06	Burress



Work Pressure (psi) (Max)	250
Test Pressure (psi) (Max)	190
Max Temperature (°F)	250
Paint	BLACK
Part No:	X-CC-2500-3

UNLESS OTHERWISE SPECIFIED  
 1. Dimensions are mm.  
 2. All dimensions are reference unless tolerance is specified.

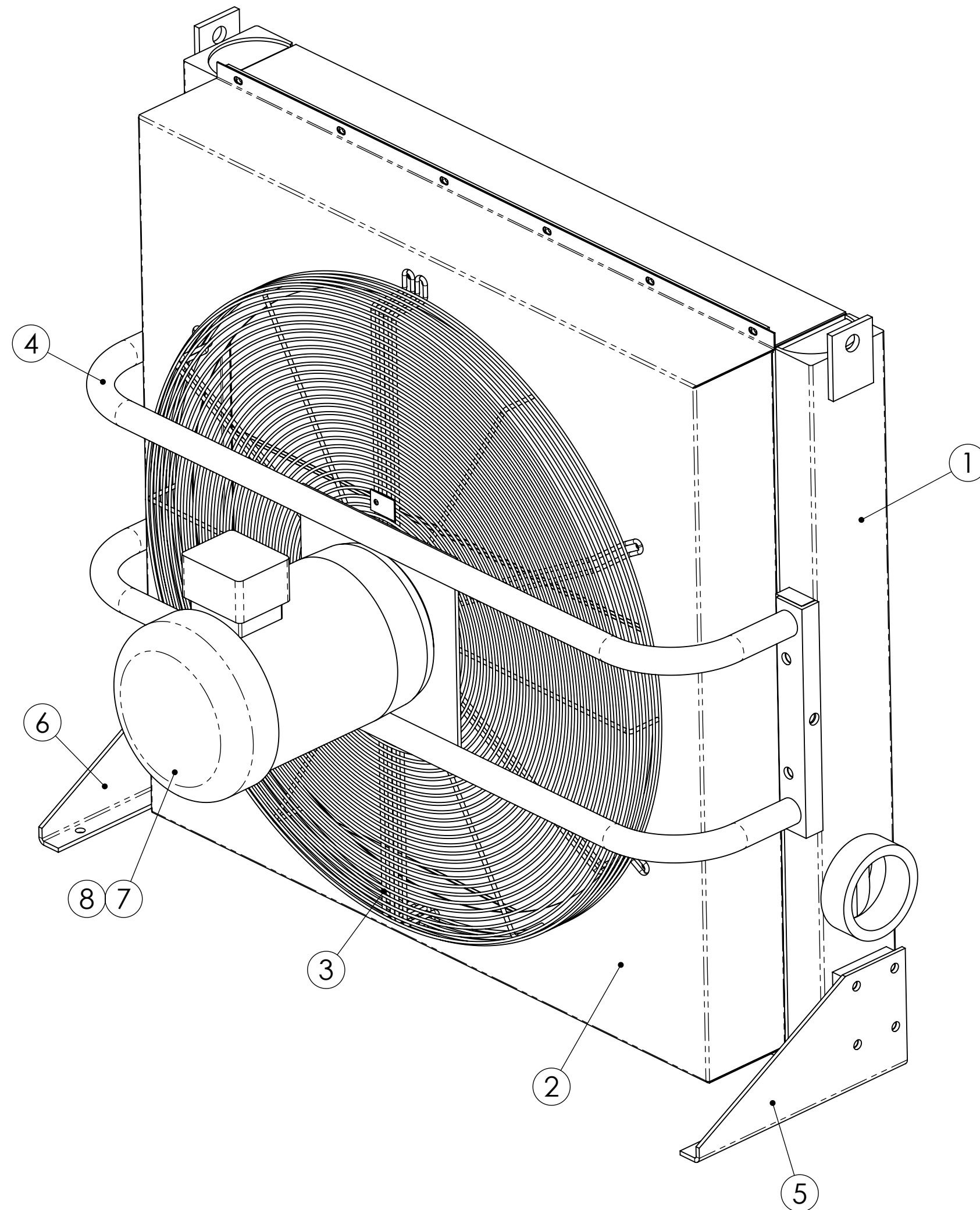


THE INFORMATION HEREON IS THE PROPERTY OF NANO-PURIFICATION SOLUTIONS. ANY COPYING OR TRANSMITTAL WITHOUT PERMISSION FROM NANO-PURIFICATION SOLUTIONS IS PROHIBITED.

DRWN BY:	Burress
DATE:	09/01/06
ENGR:	Burress

TITLE		X-CC-2500-3	REV. C
DWG. NO.			
3703.064.0000		PAGE: 1 of 2	REV. C
PAGE:			

ITEM NO.	QTY.	PART NUMBER	DESCRIPTION
1	1	3703.064.4000	CC-2500-C
2	1	3703.055.4010	Fan Shroud Housing
3	1	3556.009.4030	Fingerguard 36" dia
4	1	3703.055.0060	Motor Mount
5	1	3703.021.0001	Right Mounting Bracket
6	1	3703.021.0002	Left Mounting Bracket
7	1	8407.119.4008	Electric Motor
8	1	8400.139.0035	Fan $\phi$ 35"



Work Pressure (psi) (Max)	250
Test Pressure (psi) (Max)	190
Max Temperature (°F)	250
Paint	BLACK
Part No:	X-CC-2500-3

UNLESS OTHERWISE SPECIFIED  
 1. Dimensions are mm.  
 2. All dimensions are reference unless tolerance is specified.

**nano**  
 www.nano-purification.com

THE INFORMATION HEREON IS THE PROPERTY OF NANO-PURIFICATION SOLUTIONS. ANY COPYING OR TRANSMITTAL WITHOUT PERMISSION FROM NANO-PURIFICATION SOLUTIONS IS PROHIBITED

DRWN BY: **Burress**  
 DATE: **09/01/06**  
 ENGR: **Burress**

TITLE  
**X-CC-2500-3**  
 DWG. NO.  
**3703.064.0000**  
 PAGE: 2 of 2  
 REV.  
**C**