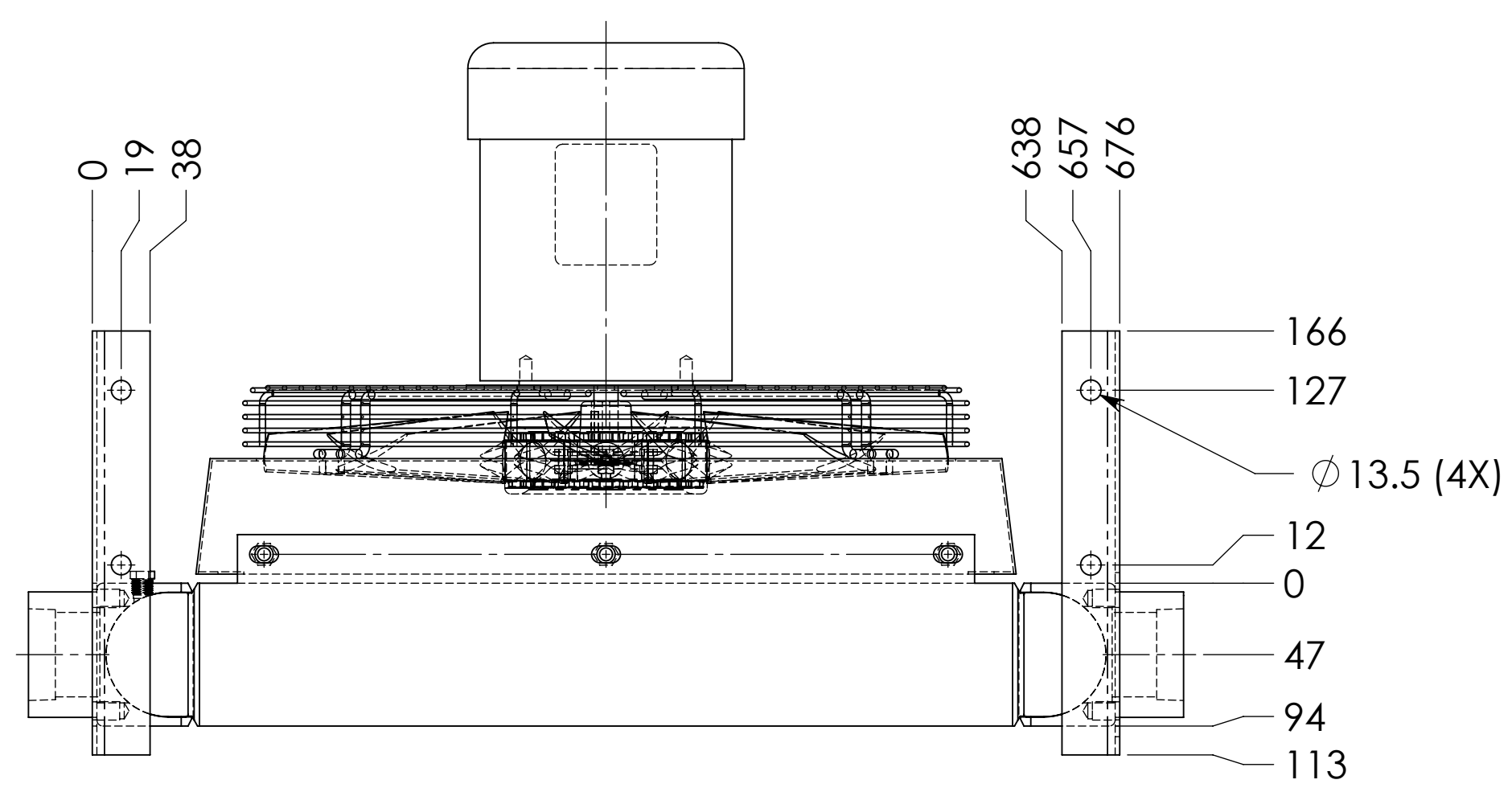
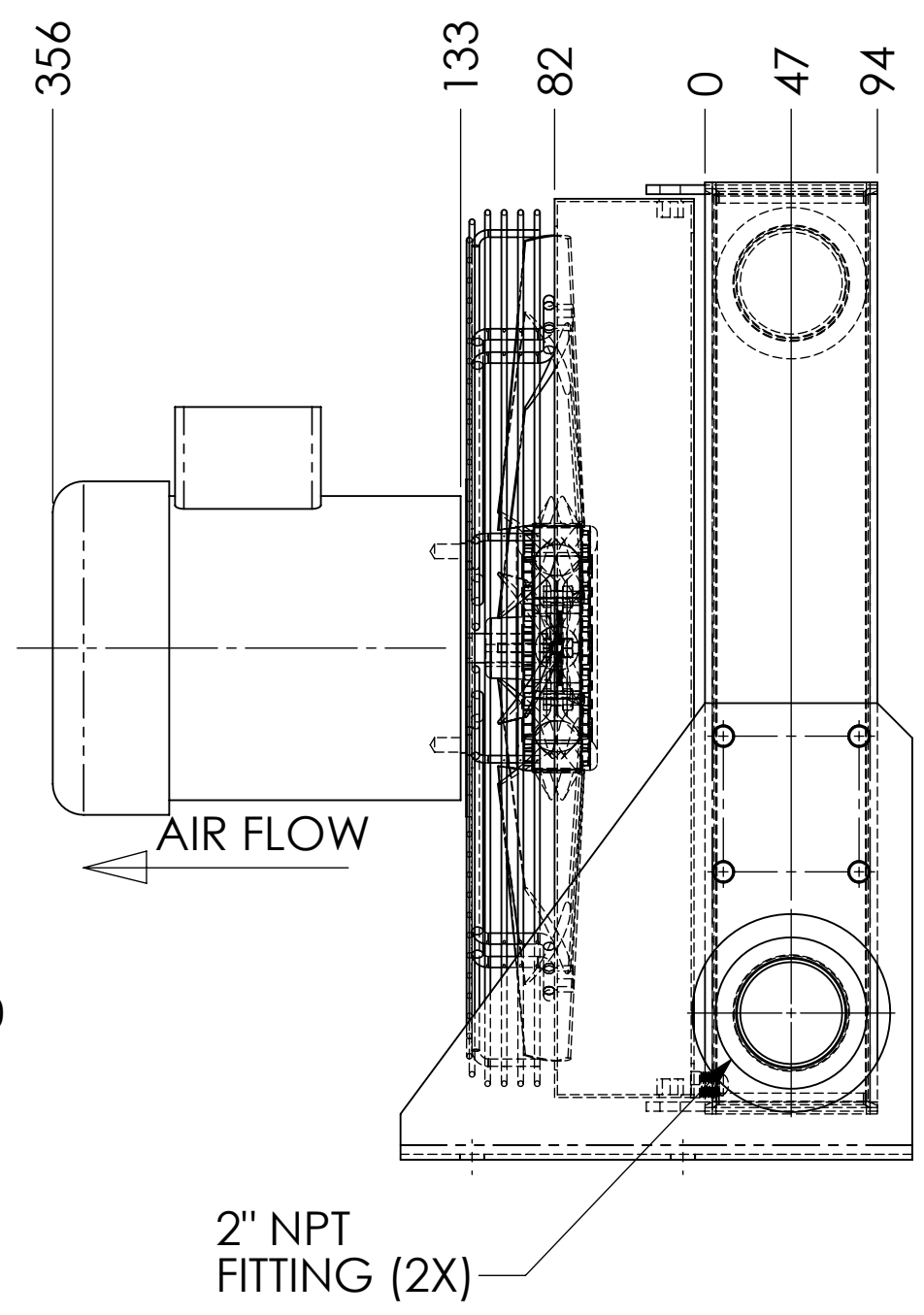
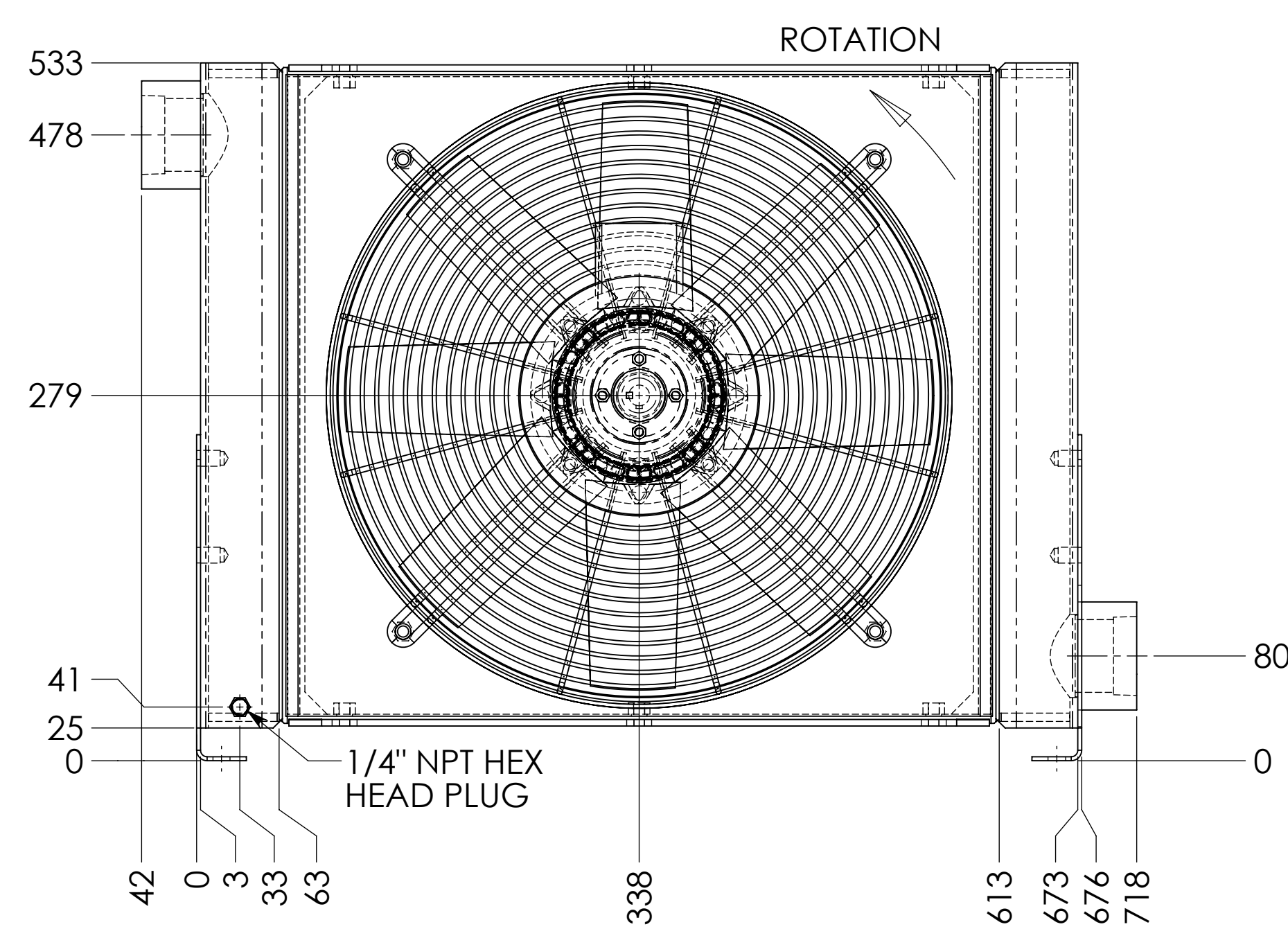


REVISION				
REV.	ECN	DESCRIPTION	DATE	DESIGNER
G		Redrawn in SolidWorks	11/15/07	Nance



NOTES:
1. UNLESS OTHERWISE SPECIFIED DIMENSIONS ARE IN MM

Work Pressure (psi) (Max)	250
Test Pressure (psi) (Max)	190
Paint	BLACK
Part No:	X-CC450-3
Fin System	7318/7101

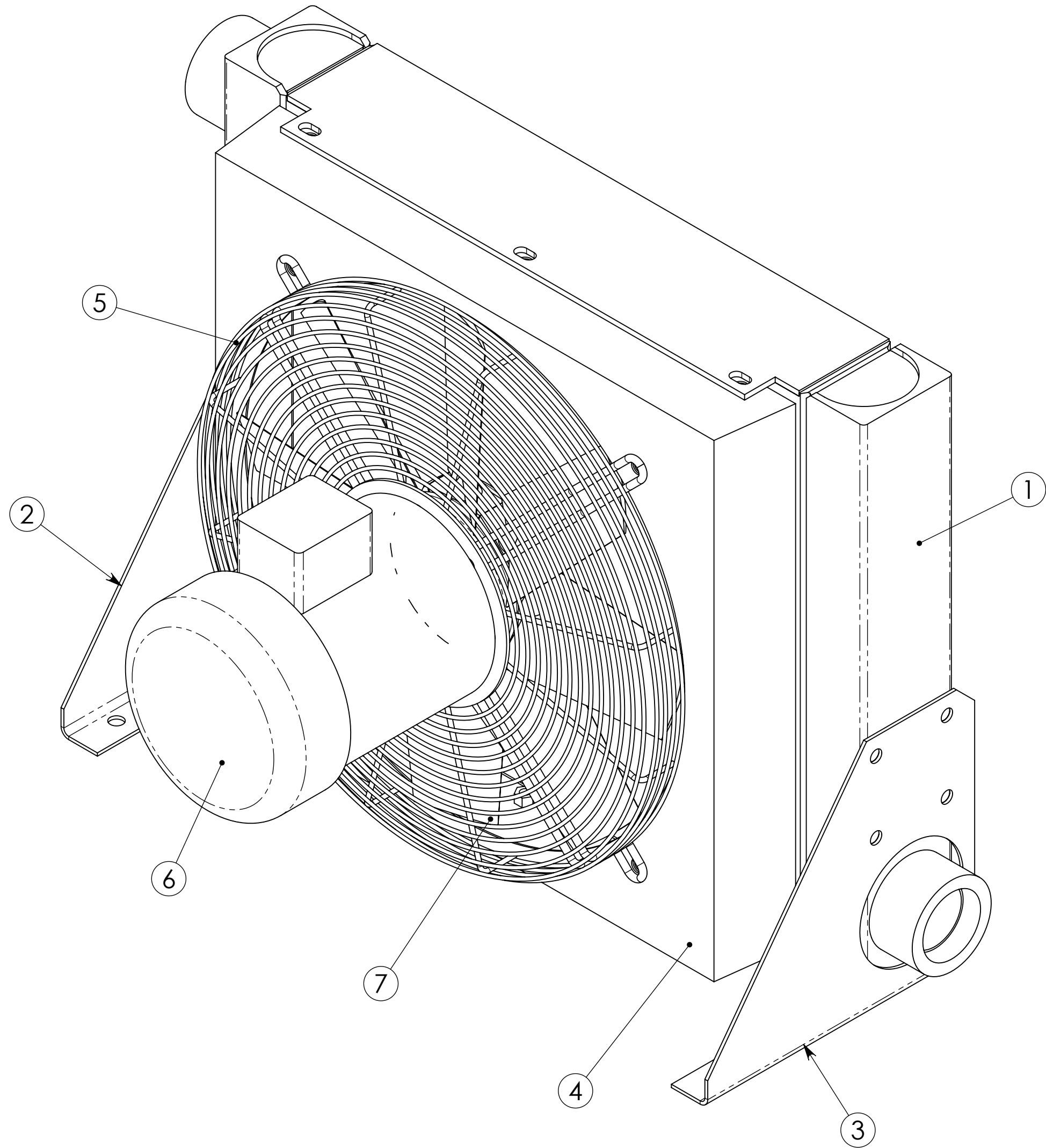
UNLESS OTHERWISE SPECIFIED ALL DIMENSIONS ARE REFERENCE



THE INFORMATION HEREON IS THE PROPERTY OF NANO-PURIFICATION SOLUTIONS. ANY COPYING OR TRANSMITTAL WITHOUT PERMISSION FROM NANO-PURIFICATION SOLUTIONS IS PROHIBITED

DRWN BY:	Vann
DATE:	05/19/98
ENGR:	White

TITLE		X-CC450-3 Cooler Assembly	
DWG. NO.	3703.018.0000	REV.	G
PAGE:	1 of 2		



ITEM NO.	QTY.	PART NUMBER	DESCRIPTION
7	1	8400.128.0018	17.72" Dia. Fan
6	1	8407.112.4102	Leeson Motor 1/2HP;56C;3PH;1725RPM TEFC
5	1	3542.033.4030	18" Fanguard
4	1	1872.382.4010	Shroud Assembly
3	1	3703.018.0001	Mounting Bracket (Right)
2	1	3703.018.0002	Mounting Bracket (left)
1	1	3703.018.4000	X-CC450-C

Work Pressure (psi) (Max)	250
Test Pressure (psi) (Max)	190
Paint	BLACK
Part No:	X-CC450-3
Fin System	7318/7101

UNLESS OTHERWISE SPECIFIED
ALL DIMENSIONS ARE REFERENCE

nano
www.nano-purification.com

THE INFORMATION HEREON IS THE PROPERTY OF NANO-PURIFICATION SOLUTIONS. ANY COPYING OR TRANSMITTAL WITHOUT PERMISSION FROM NANO-PURIFICATION SOLUTIONS IS PROHIBITED

DRWN BY: Vann
DATE: 05/19/98
ENGR: White

TITLE	
Cooler Assembly	
DWG. NO.	REV.
3703.018.0000	G
PAGE:	2 of 2