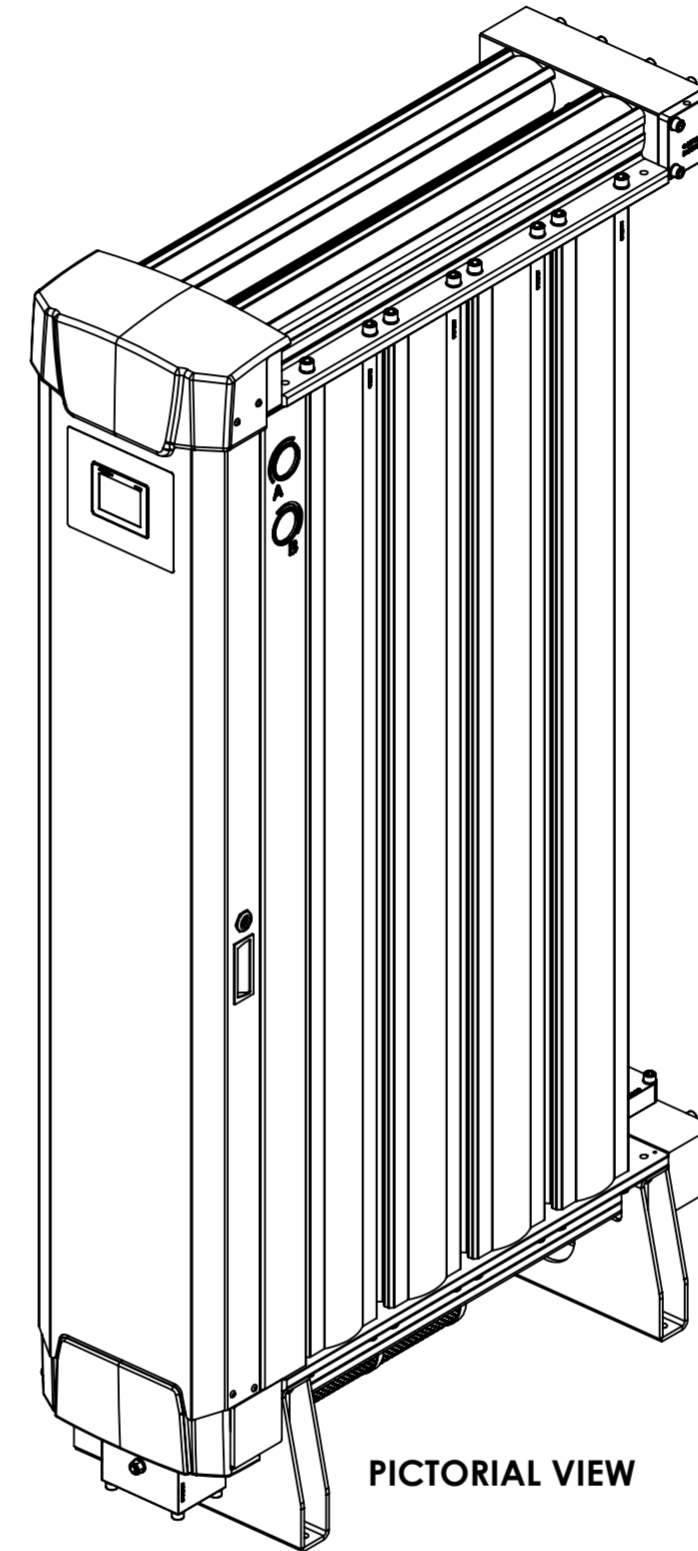
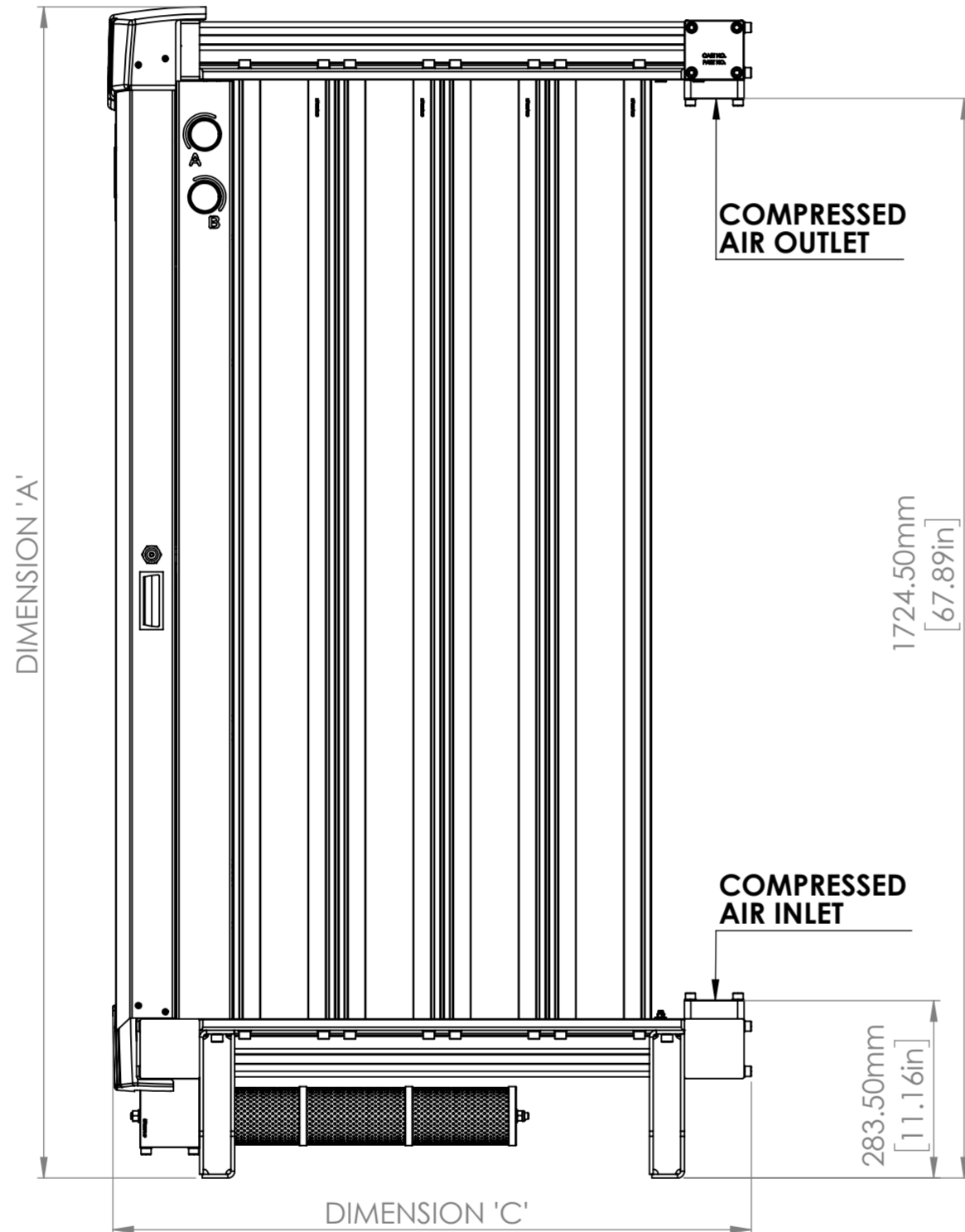
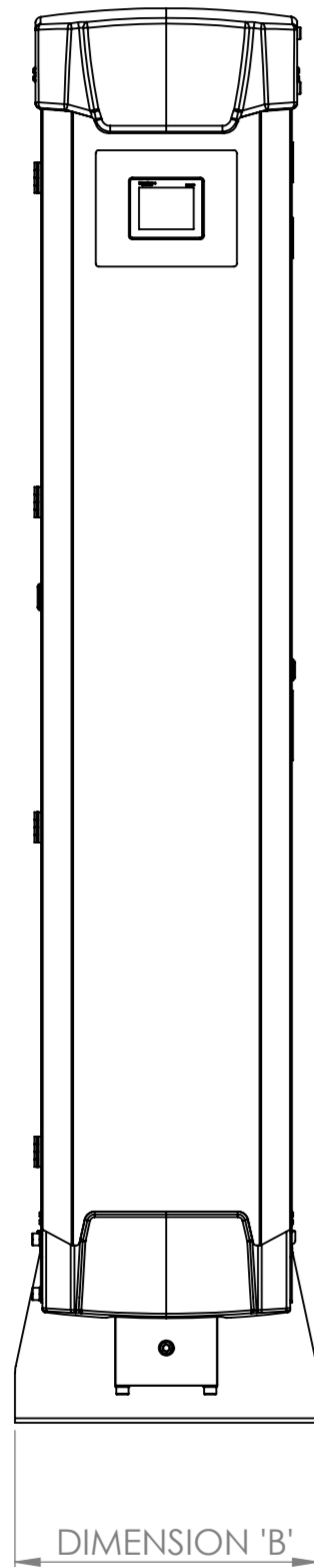
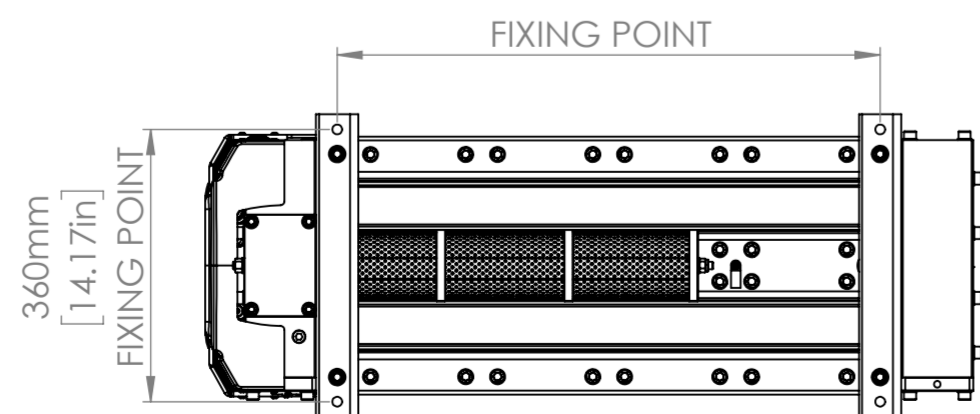


MODEL		CONNECTION BSPP (NPT)	DIMENSION 'A' mm (INCHES)	DIMENSION 'B' mm (INCHES)	DIMENSION 'C' mm (INCHES)	FIXING POINT	APPROX WEIGHT kg (lbs)
STANDARD	ES						
NBA-2110	NBA-2110-ES	G2" (2")	1270 (50.0)	400 (15.8)	683 (26.9)	382 (15.0)	184 (406)
NBA-2120	NBA-2120-ES						209 (461)
NBA-3120	NBA-3120-ES		1521 (59.9)		851 (33.5)	272 (600)	
NBA-4120	NBA-4120-ES					363 (800)	
NBA-6120	NBA-6120-ES		1355 (53.4)		1054 (41.5)	516 (1138)	

REVISIONS		
REV.	DESCRIPTION	DATE
01	FIRST RELEASE	09/05/2025



PICTORIAL VIEW



SPECIFICATION	
CARBON MONOXIDE (CO)	<5 PPM
CARBON DIOXIDE (CO2)	<500 PPM
OIL MIST	0.1mg/m ³
NITROGEN OXIDES (NO+NO2)	<2 PPM
SULPHUR DIOXIDE (SO2)	<1 PPM
WATER VAPOUR (PPMV/ATMOS PDP°C)	≥67/≥-45.5
MINIMUM WORKING PRESSURE	6 barg (87 psig)
MAXIMUM WORKING PRESSURE	10 barg (145 psig)
POWER SUPPLY	110 - 240V AC / 50-60 Hz
MINIMUM INLET TEMPERATURE	+1.5°C (35°F)
MAXIMUM INLET TEMPERATURE	30°C (86°F)

At rated inlet conditions of 7 barg / 20°C

NOTES:
THIS PRODUCT IS AVAILABLE WITH
A STANDARD OR PREMIUM CONTROL
SYSTEM

GENERAL TOLERANCES UNLESS OTHERWISE STATED:
X ± 0.5mm | X.X ± 0.25mm | X.XX ± 0.1mm
ANGLES ± 0.5°

	DRAWN	CHECKED	APPROVED
NAME	CW	ME	ME
DATE	09/05/2025	09/05/2025	09/05/2025

nano-purification solutions limited
www.nano-psi.co.uk

© NANO-PURIFICATION SOLUTIONS LTD 2021.
THE ORIGINAL OF THIS DRAWING IS COPYRIGHT AND CONTAINS CONFIDENTIAL INFORMATION.
IT IS THE PROPERTY OF NANO-PURIFICATION SOLUTIONS LTD. WITHOUT PERMISSION IT MAY NOT
BE COPIED, SHOWN OR HANDLED TO A THIRD PARTY OR OTHERWISE USED AND IT IS TO BE RETURNED
PROMPTLY UPON REQUEST TO NANO-PURIFICATION SOLUTIONS LTD.

MATERIAL:	SEE DETAILS	WEIGHT (KG):
FINISH:	SEE DETAILS	

TITLE:
SERIES 3 BREATHING AIR PURIFIER
(NBA-2110 to NBA-6120)

DWG NO. PD-0015	REVISION: 01
SCALE - 1:20	SHEET 1 of 1
DO NOT SCALE DRAWING	SHEET SIZE A2