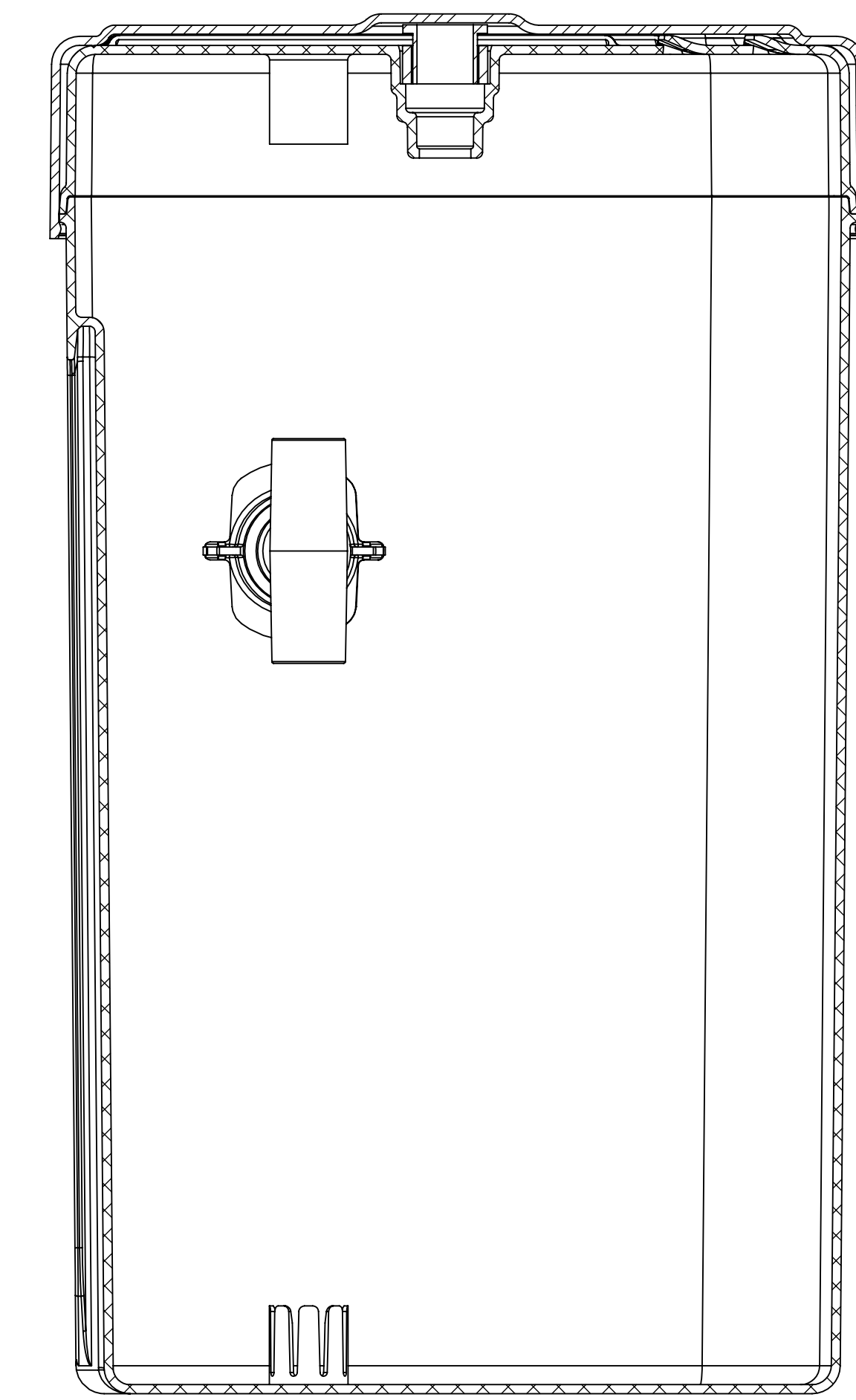
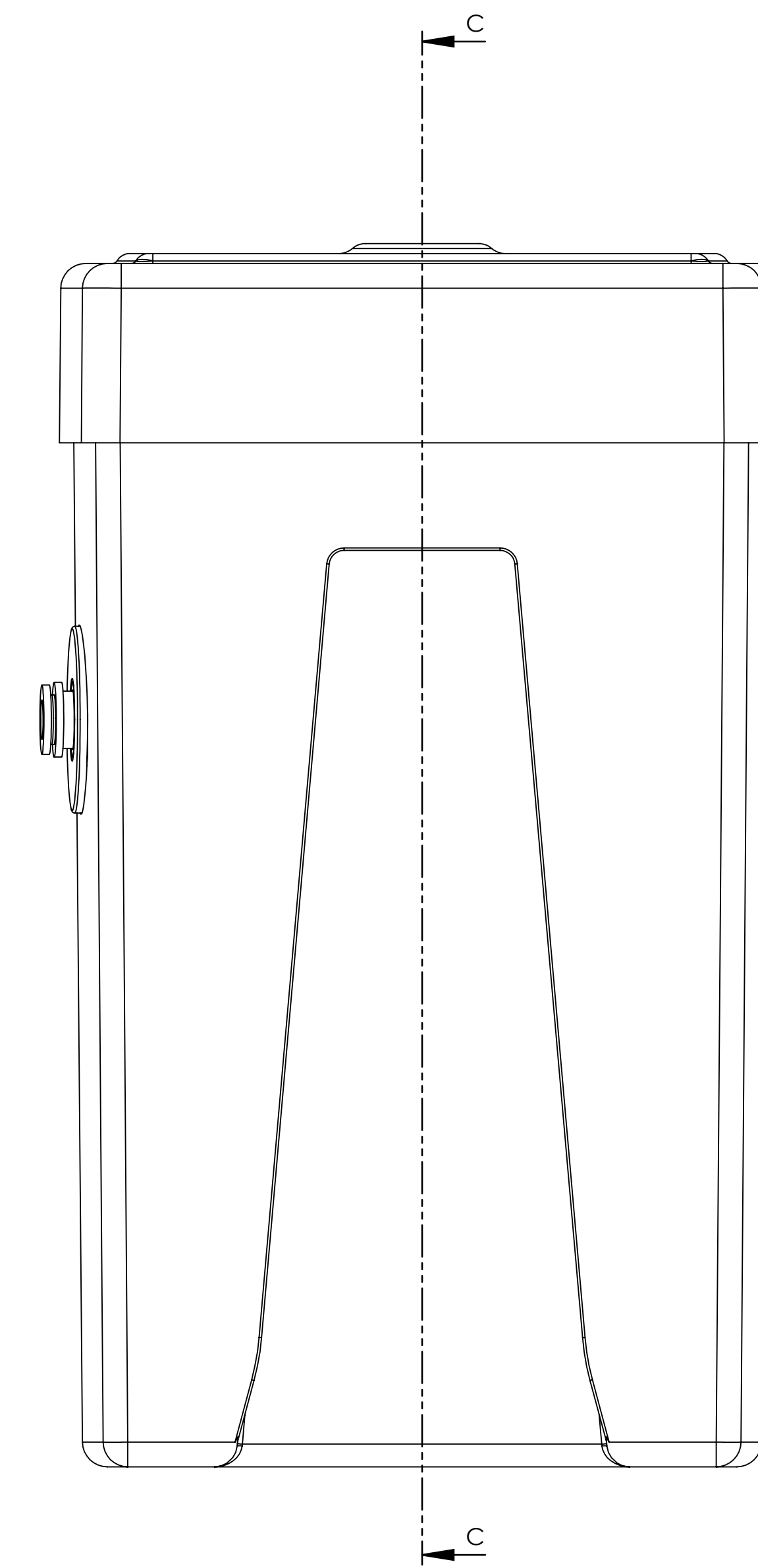
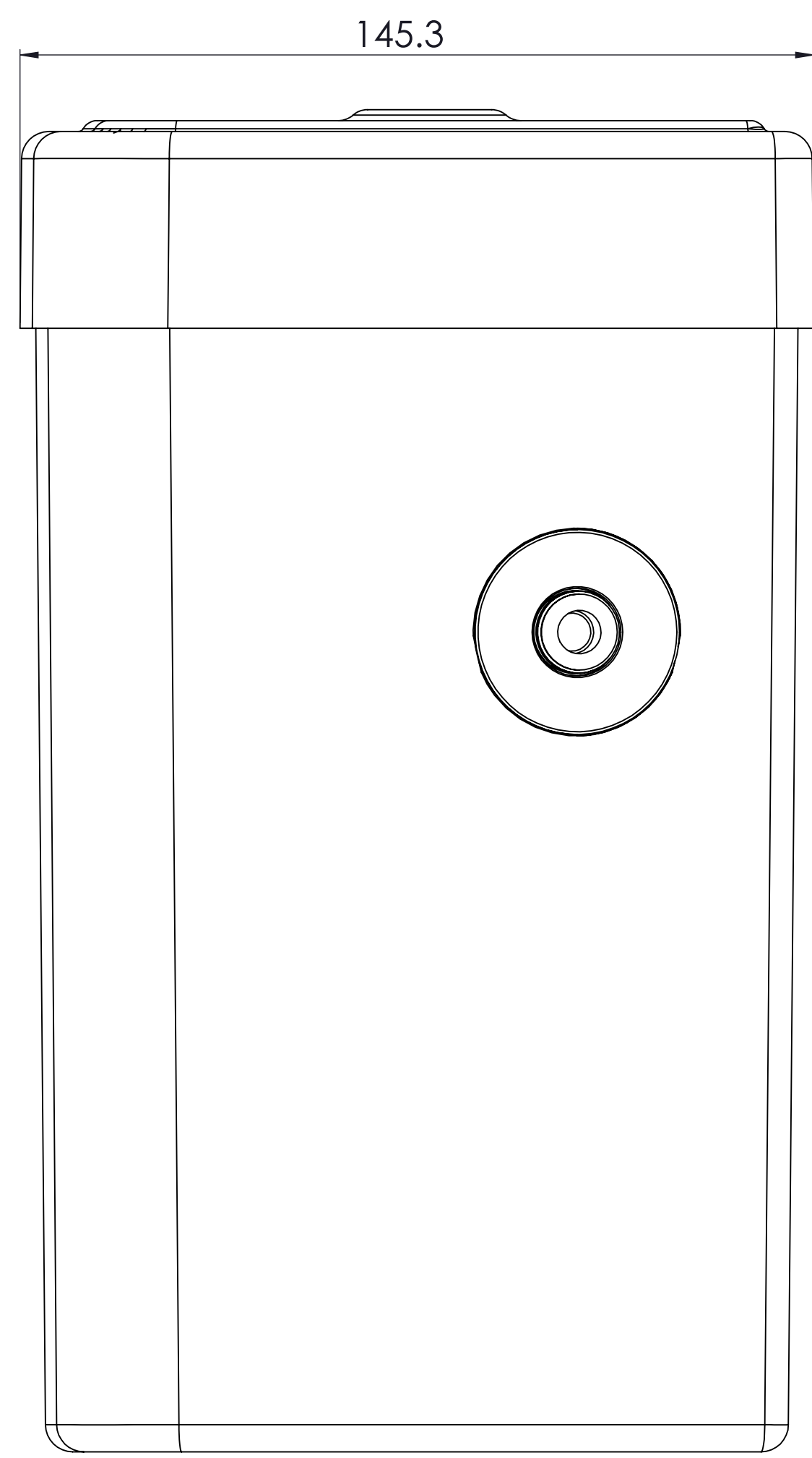
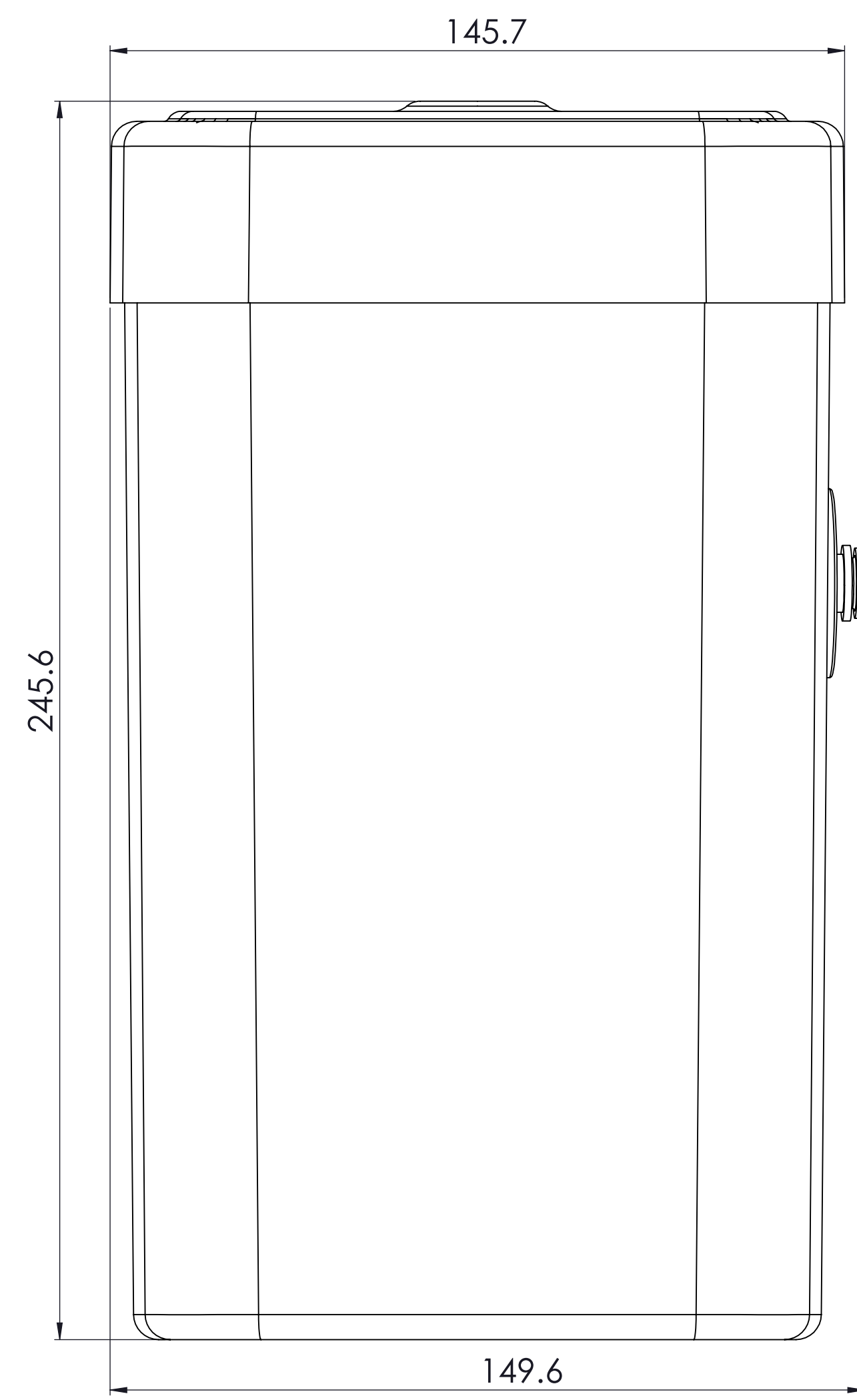
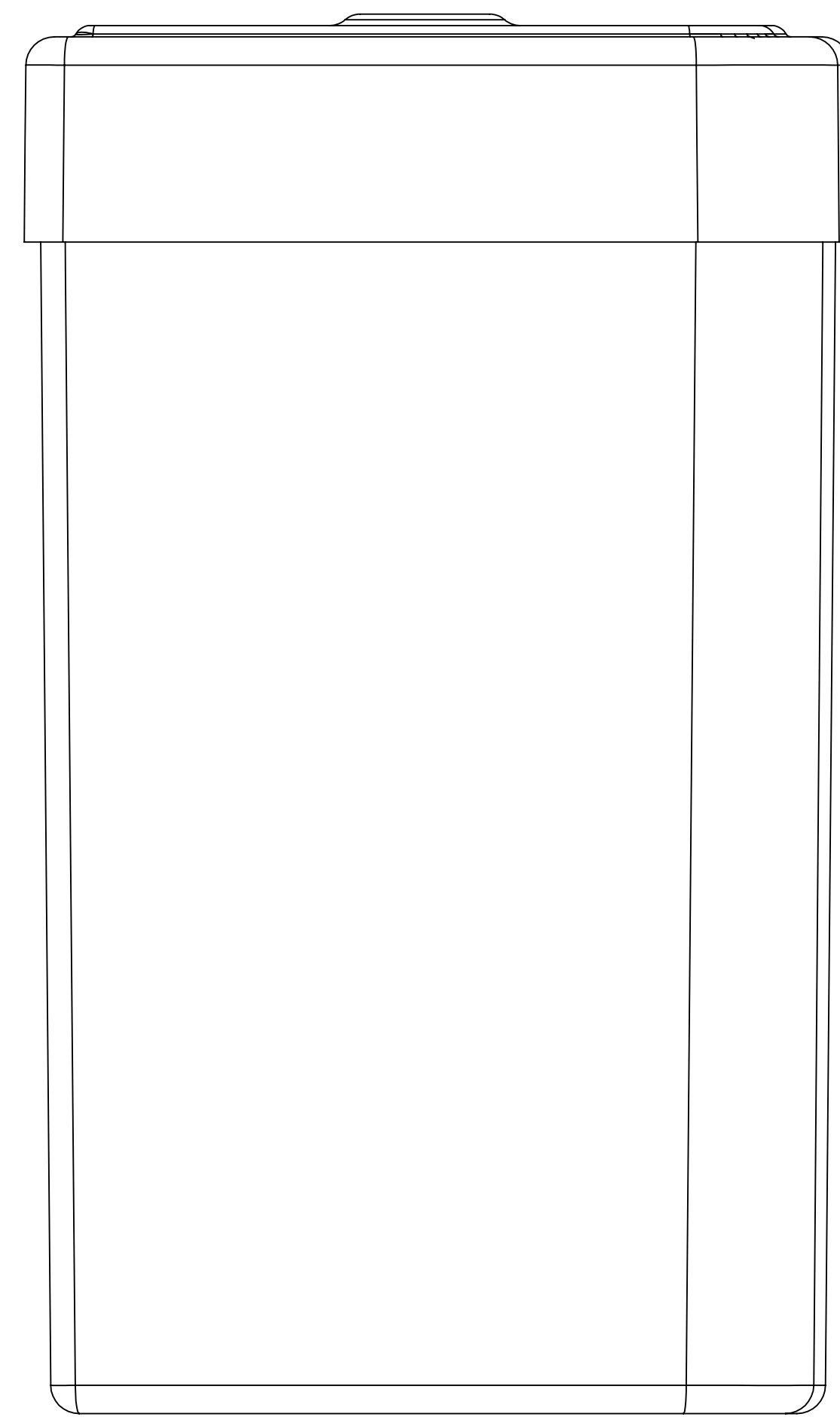
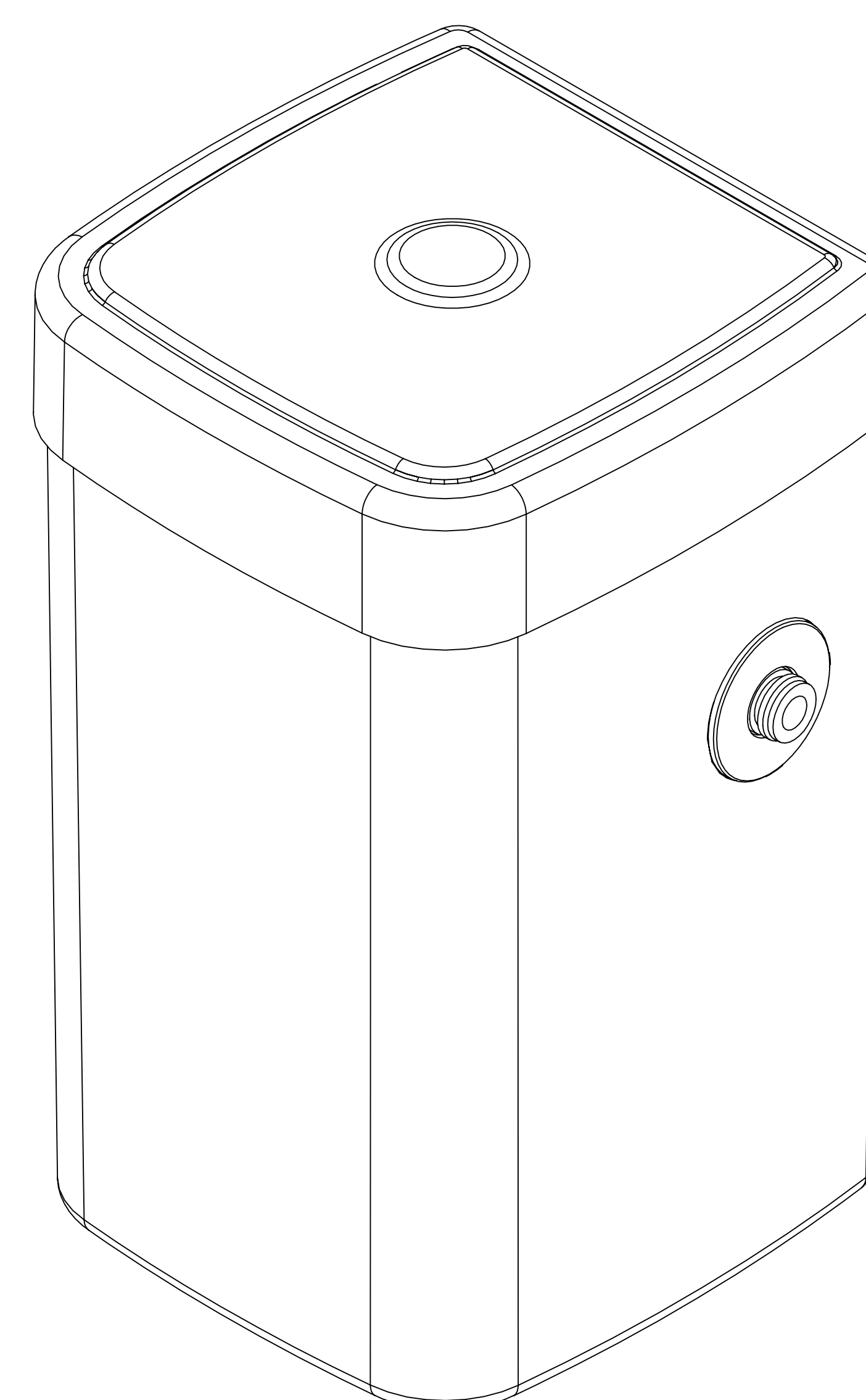
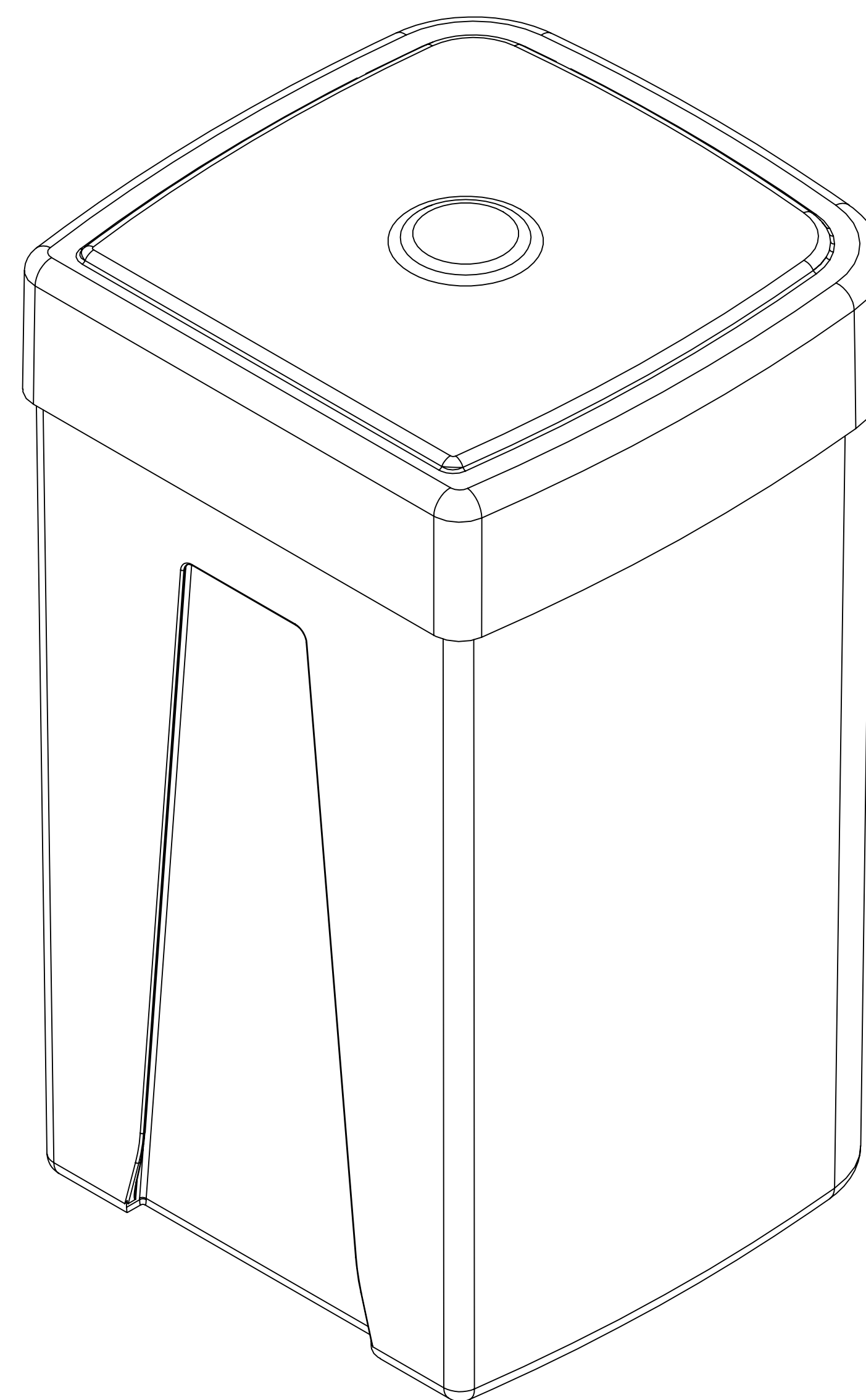
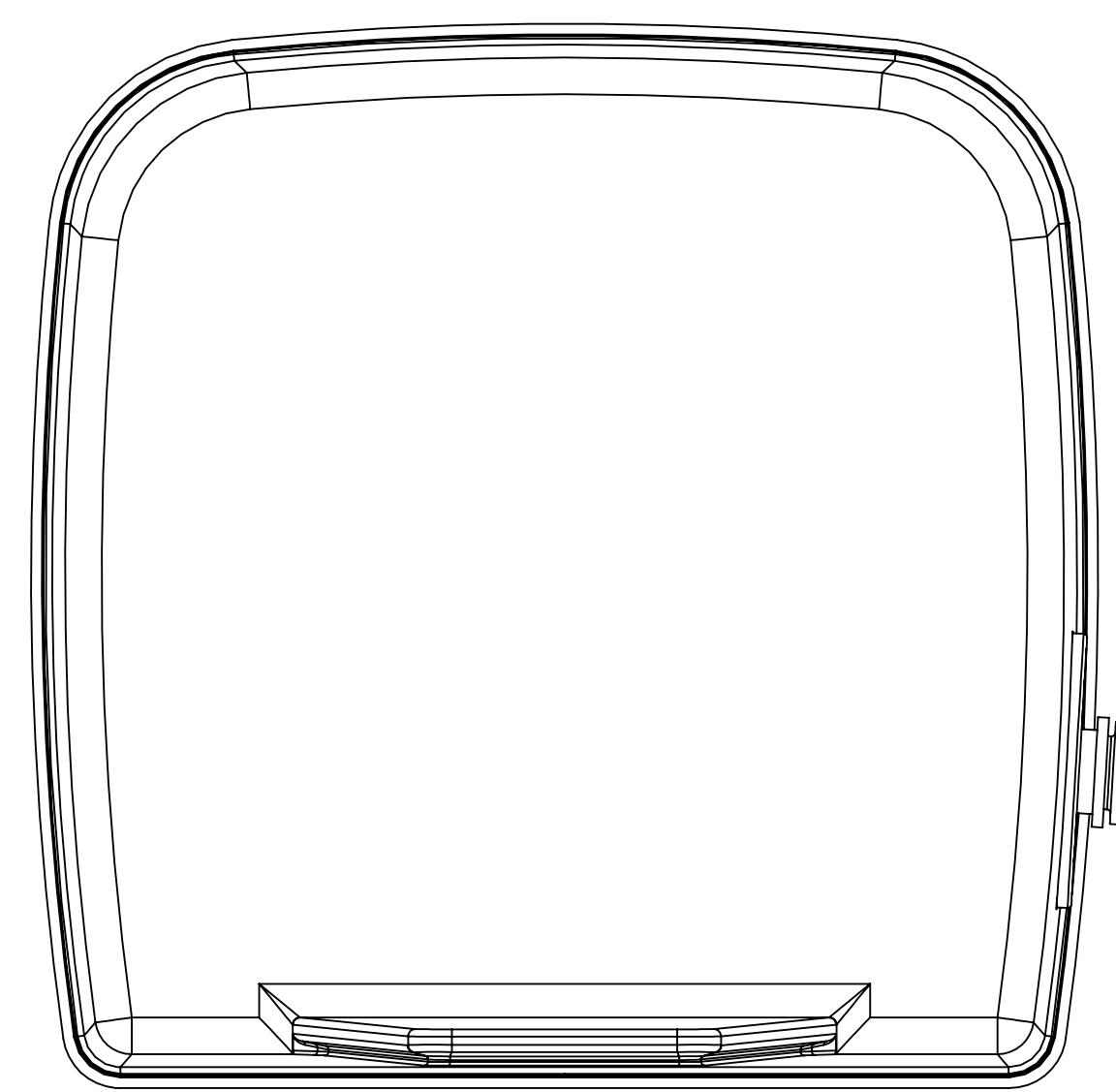


SHOWN IN IT'S DISPOSAL STATE



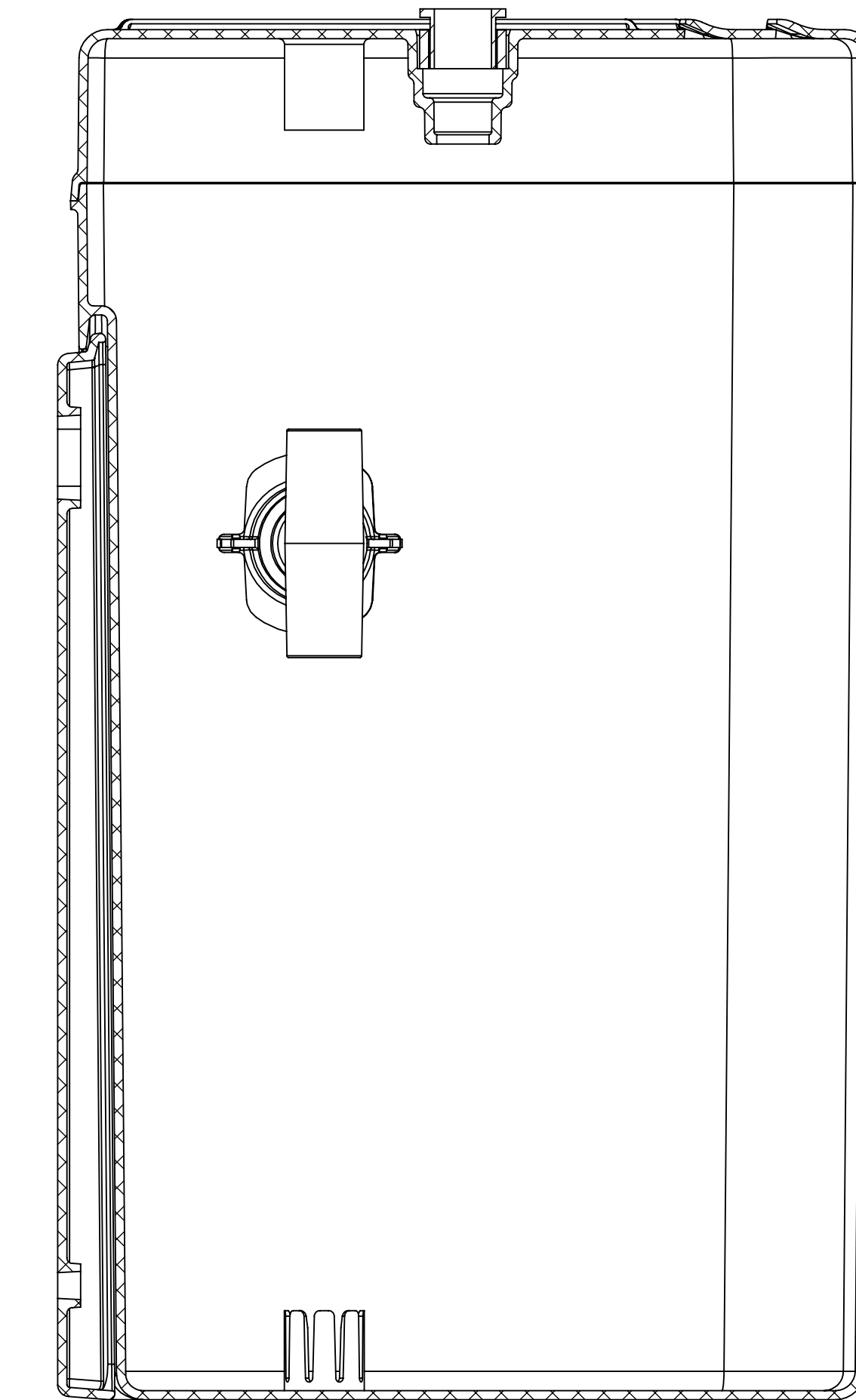
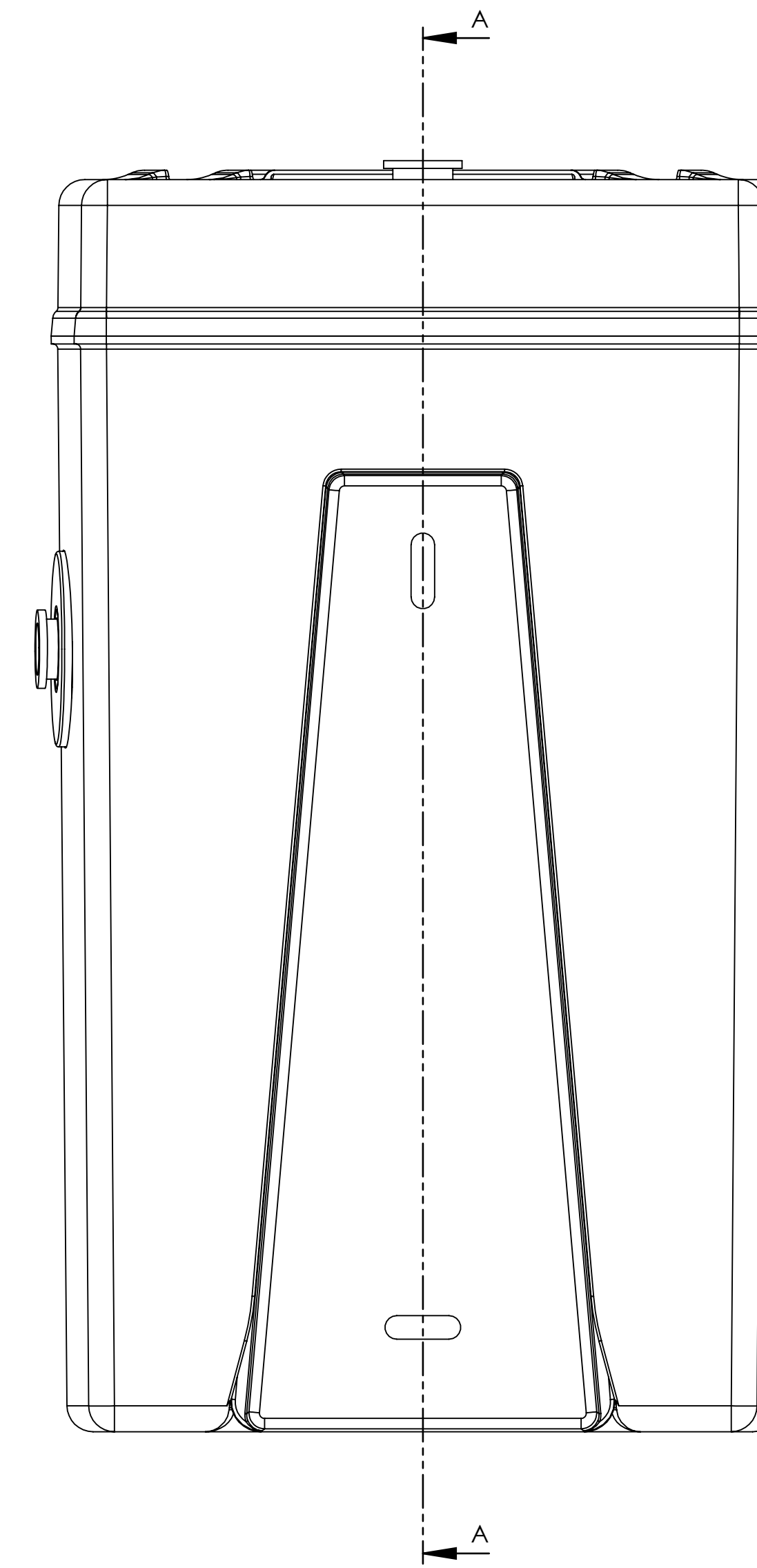
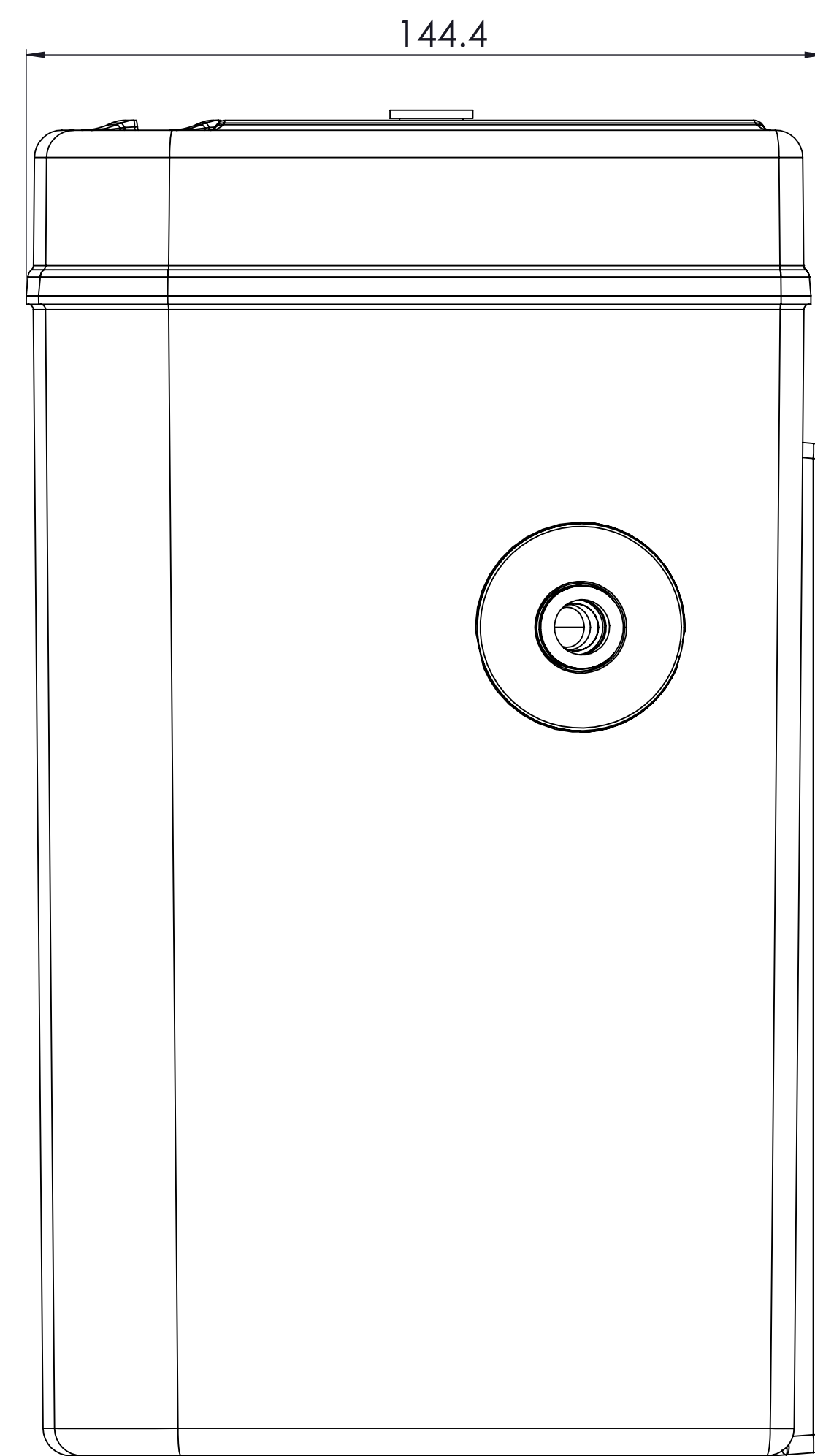
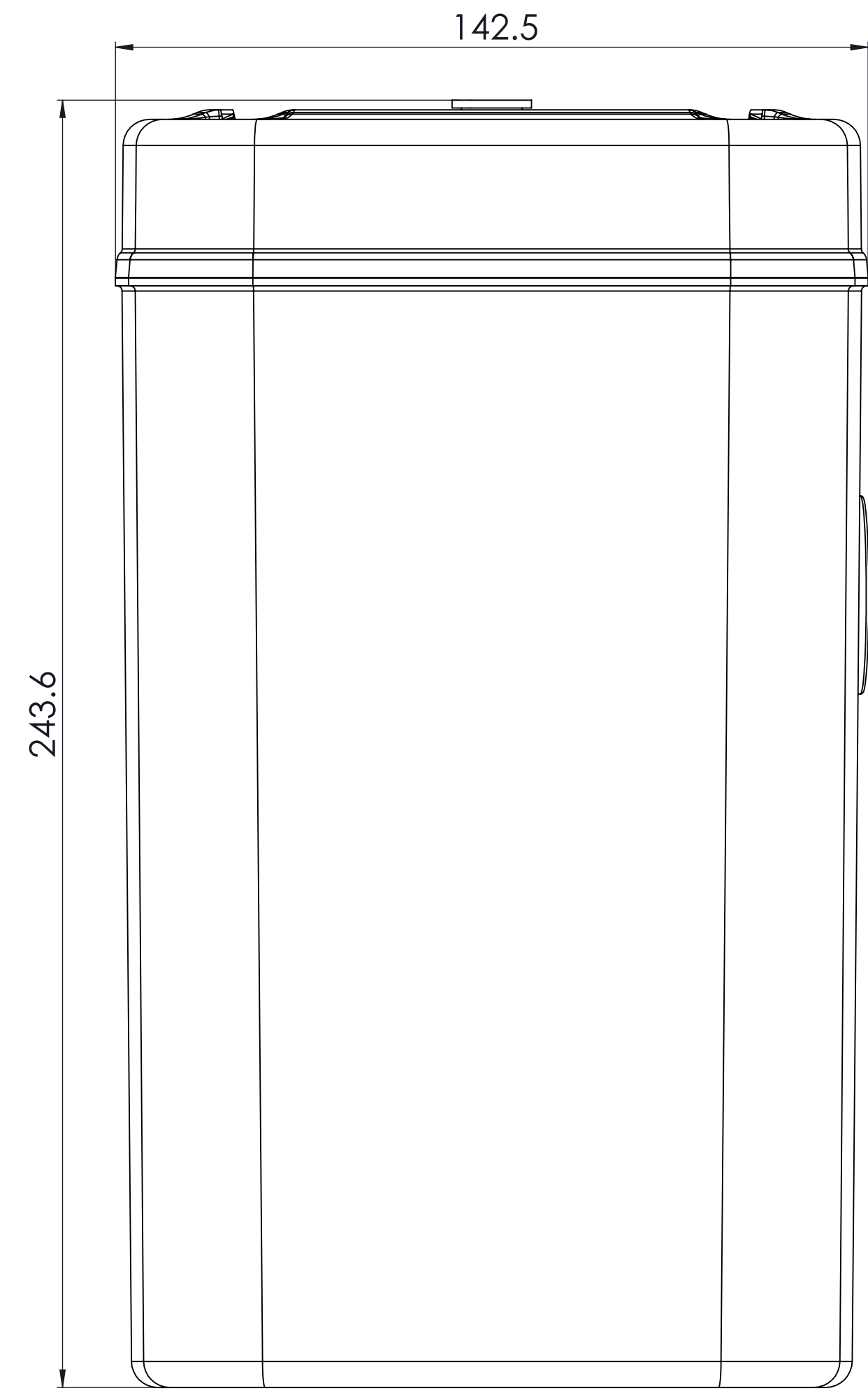
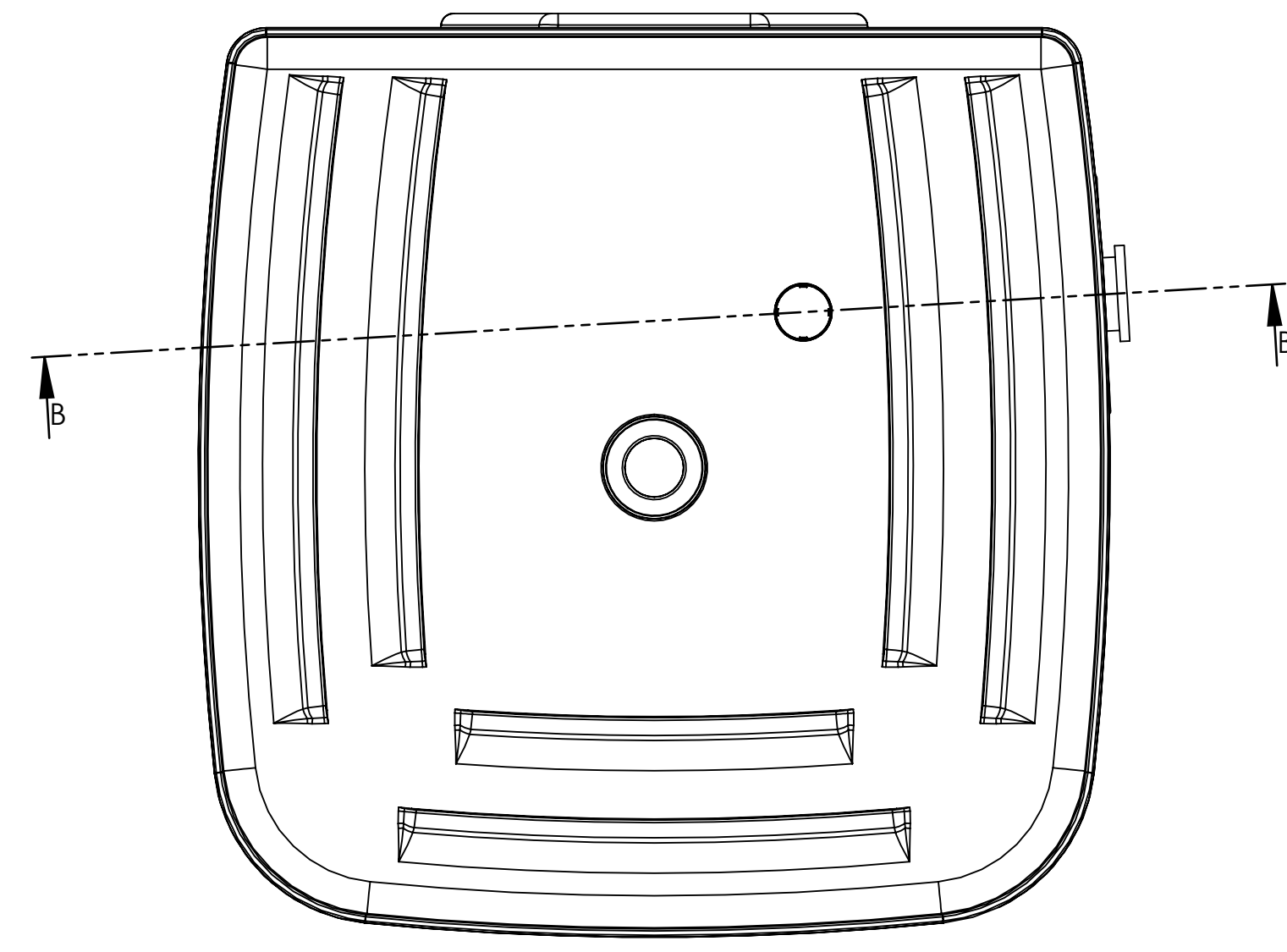
SECTION C-C



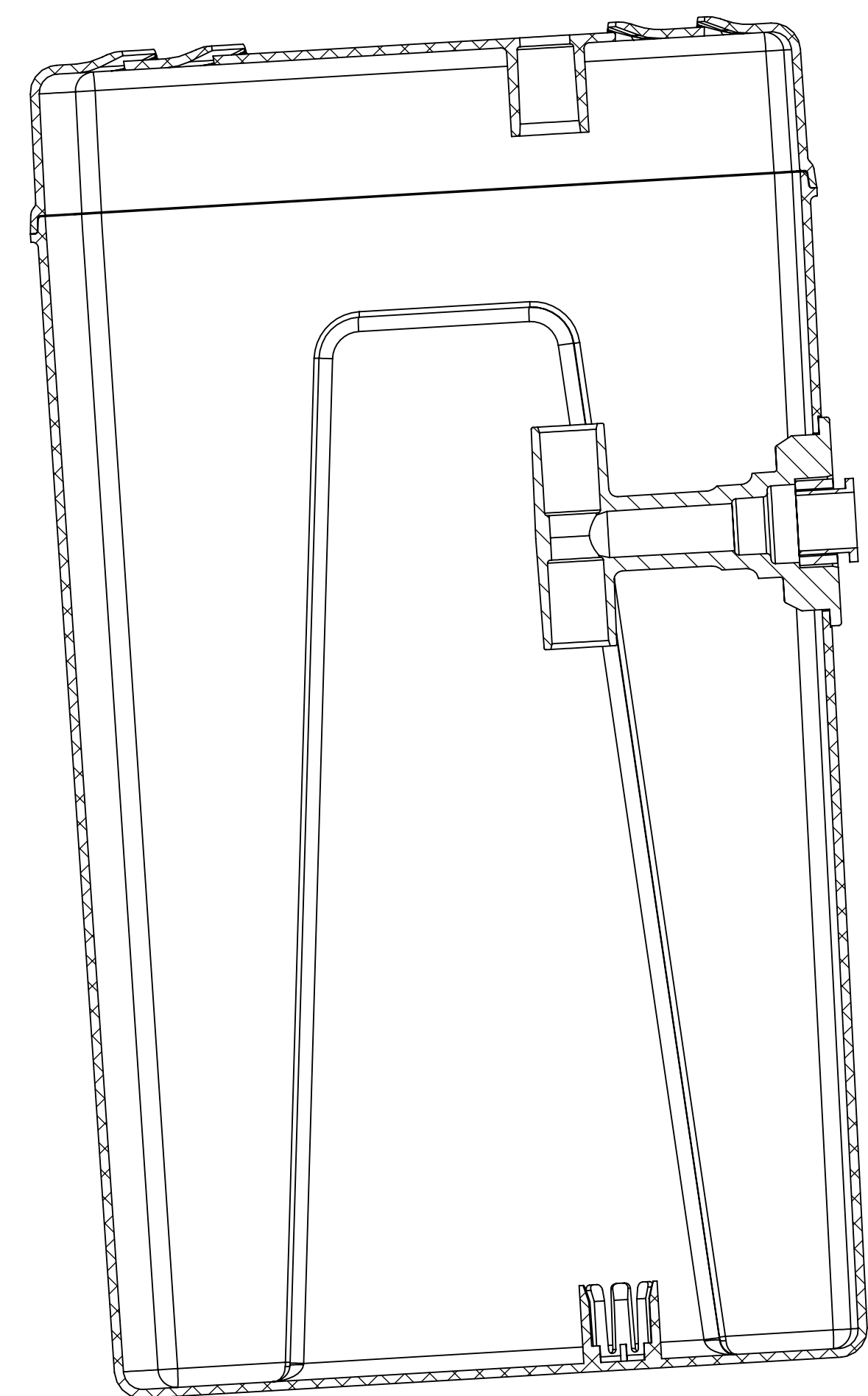
COMPONENT:	DATE:
MACHINE:	APPROVED:
FINISH:	UNLESS OTHERWISE SPECIFIED DIMENSIONS ARE IN MILLIMETERS
MATERIAL:	TOLERANCES:
SHRINK:	DO NOT SCALE DRAWING. IF IN DOUBT ASK



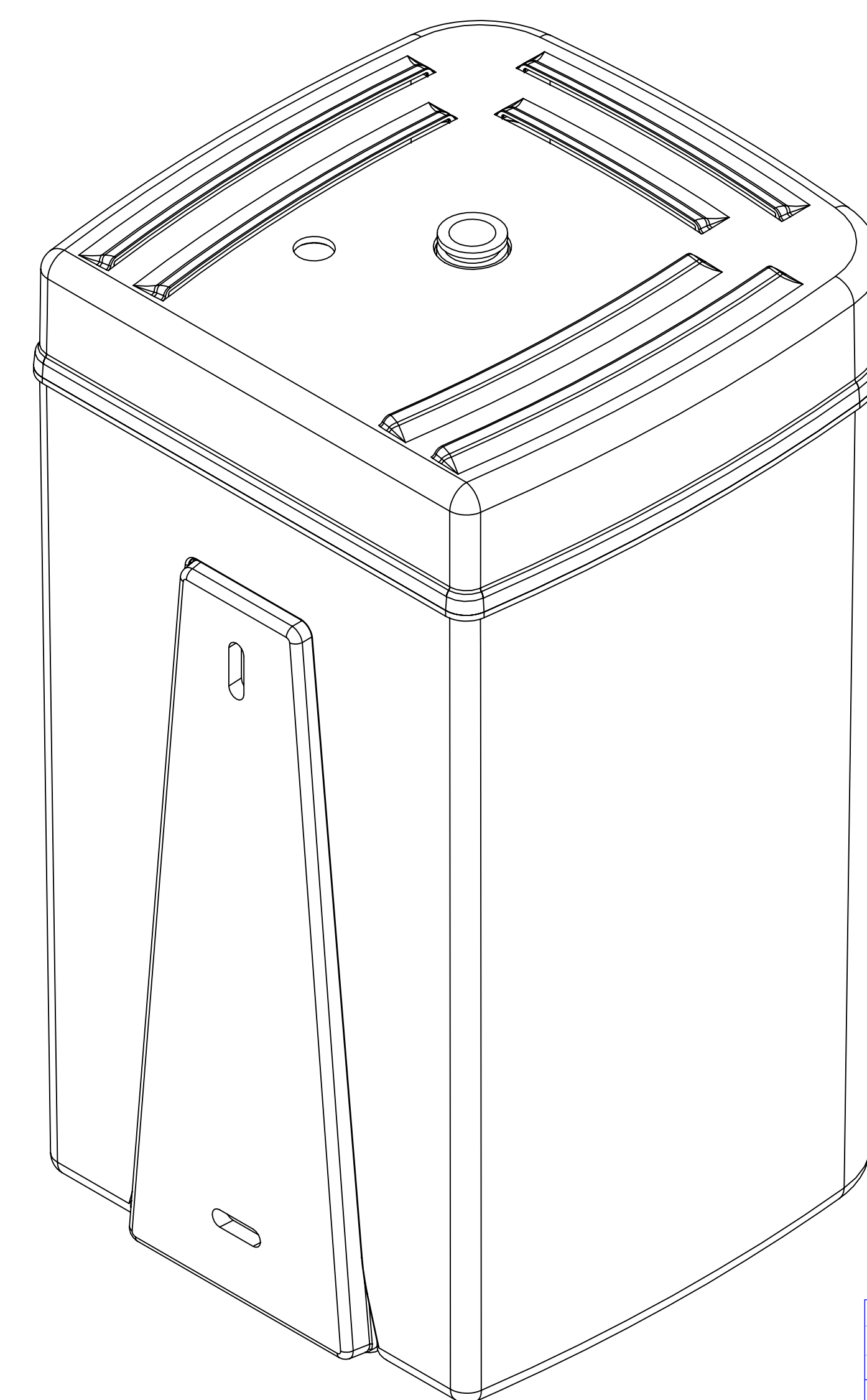
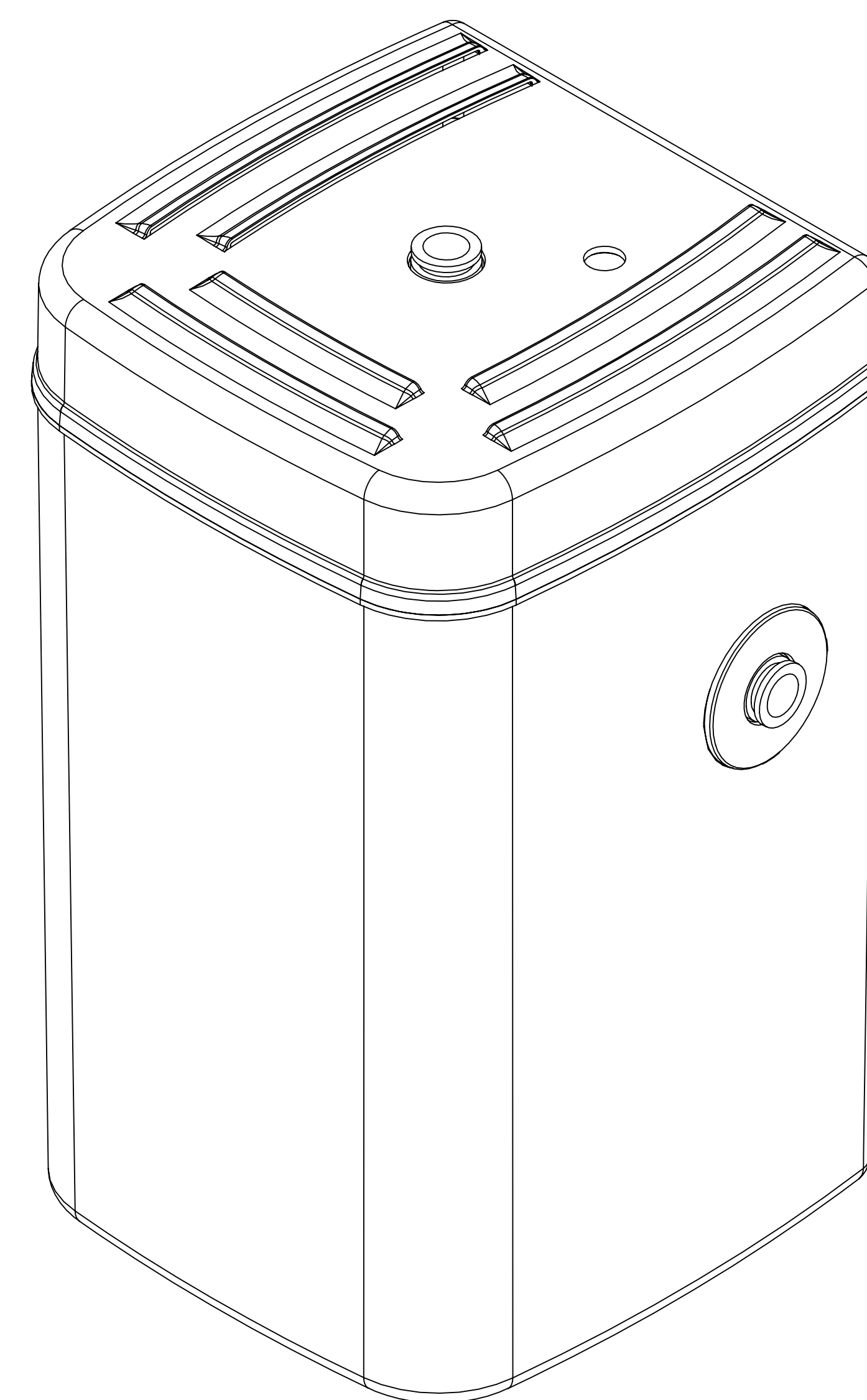
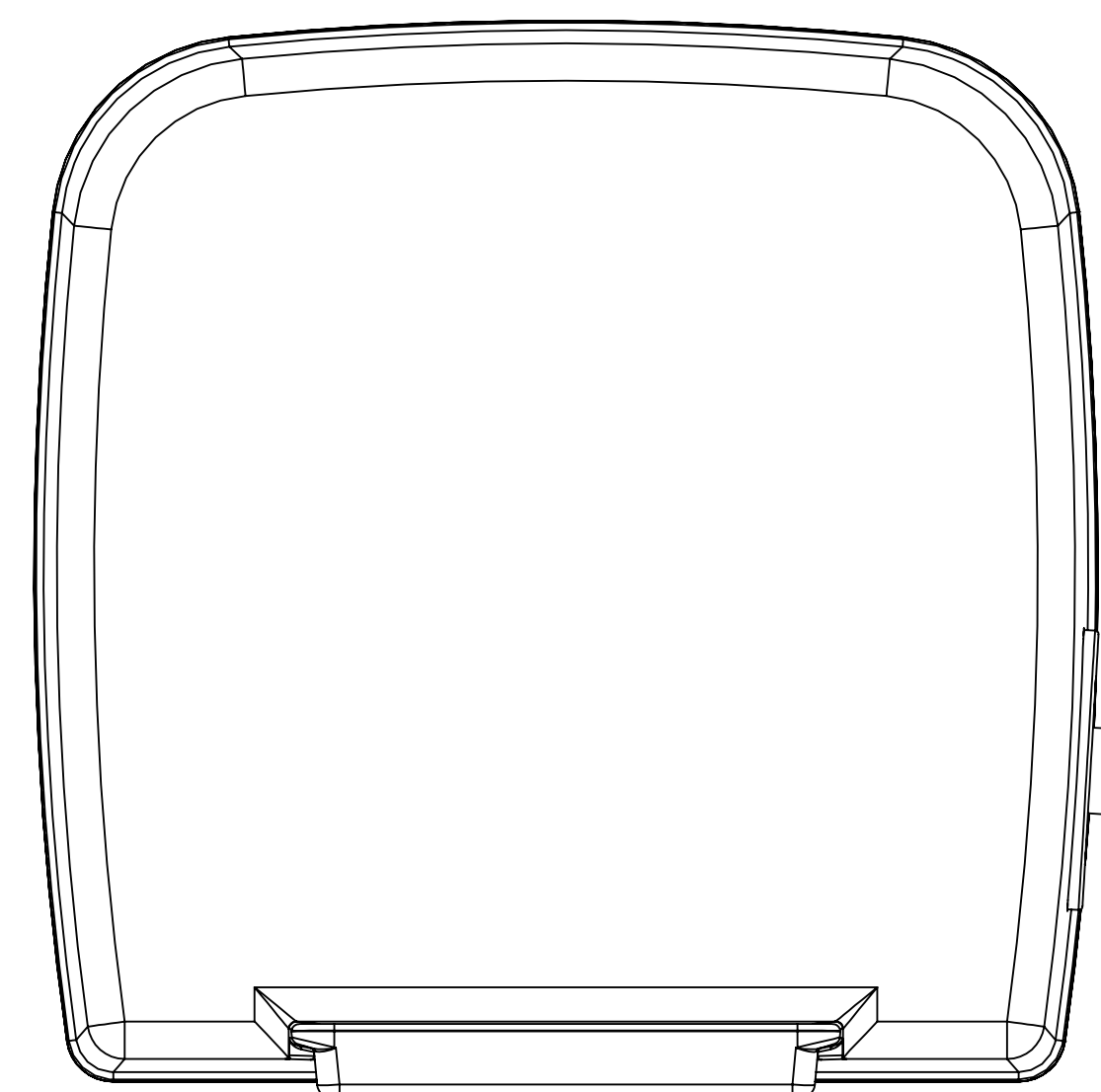
PRODUCTION TWO ANGLE
 TITLE: ASSEMBLY DRAWING
 DWG. NO.: NSS 100
 SCALE: 1:1 Sheet1



SECTION A-A



SECTION B-B



COMPONENT:	DESIGN:	NAME:	DATE:
MACHINE:	CHECK:		
FINISH:	APPROV:		
MATERIAL:	UNLESS OTHERWISE SPECIFIED DIMENSIONS ARE IN MILLIMETERS		
SHRINK:	DO NOT SCALE DRAWING, IF IN DOUBT ASK		



PRODUCTION TWO ANGLES
 TITLE: ASSEMBLY DRAWING
 DWG NO: NSS 100
 SCALE: 1:1 Sheet2