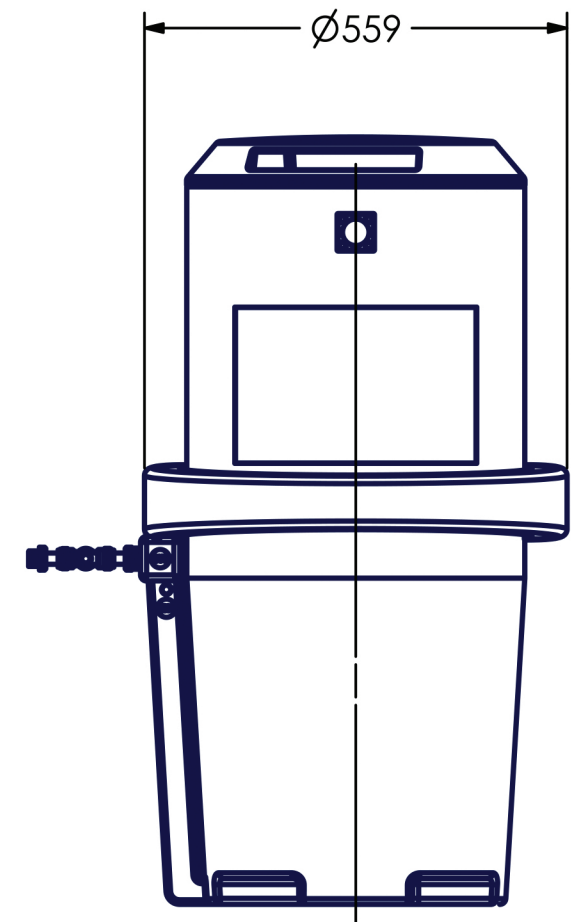



REV No	REVISION NOTE	DATE	SIGNATURE	CHECKED
1	production	09/02/18	dy	rp



TOLERANCE-±5mm

SCALE 1-10	SHEET SIZE A3	NAME SEP 2500 ST Assembly	
MATERIAL POLYETHYLENE	 www.nano-purification.com		
DRAWN D YOUNG			
CHECK R POTTS			
APPR. R POTTS			
ISSUED 09-02-2018			
REV 1	DWG No BSL 1007	SHT 1 of 1	
PROJECTION 3rd			