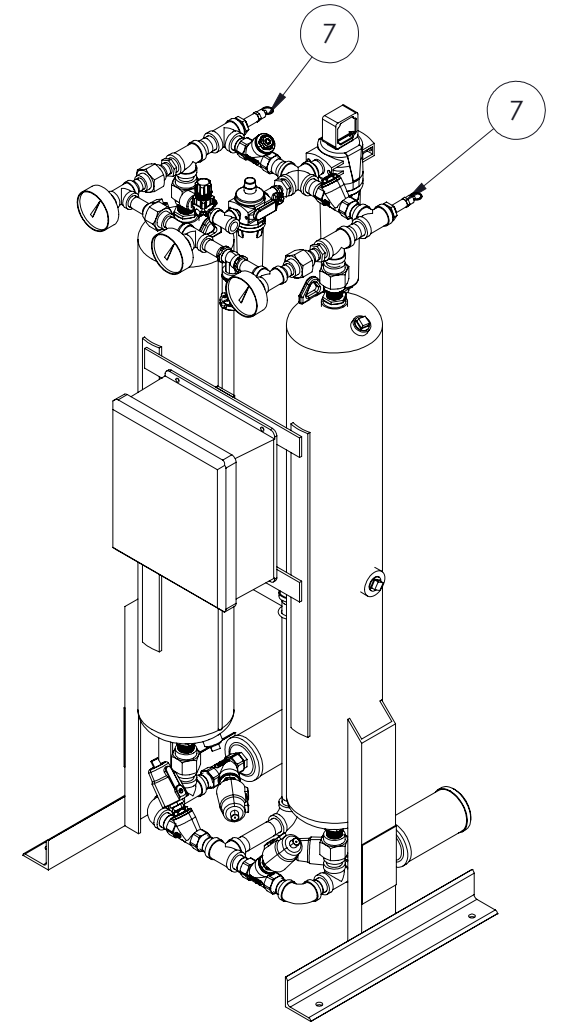


ITEM NO	QTY	DESCRIPTION
1	2	DESICCANT VESSEL
2	2	INLET ANGLE BODY VALVE
3	2	OUTLET CHECK VALVE
4	2	PURGE EXHAUST VALVE
5	2	EXHAUST MUFFLER
6	3	PRESSURE GAUGE
7	2	PRESSURE RELIEF VALVE
8	1	ELECTRICAL ENCLOSURE
9	1	PRE-FILTER
10	1	AFTER FILTER



UNLESS OTHERWISE SPECIFIED:

DIMENSIONS ARE IN INCHES
 TOLERANCES:
 FRACTIONAL ± 0.125
 ANGULAR: ± 0.5°
 TWO PLACE DECIMAL ± .03
 THREE PLACE DECIMAL ± .003



THIRD ANGLE PROJECTION

MATERIAL

FINISH

DO NOT SCALE DRAWING

	NAME	DATE
DRAWN	O.P.	06/16/24
CHECKED		
ENG APPR.		
MFG APPR.		
Q.A.		
COMMENTS:		

nano NANO-PURIFICATION SOLUTIONS
 323 CRISP CIRCLE
 MARYVILLE, TENNESSEE 37801-USA

TITLE: DRYER, DESICC, HL0150,
 HEATLESS, 150 SCFM, 200
 PSIG, 100F, T8, W/PRE &
 AFTER FILTERS, PACK B

SIZE	DWG. NO.	REV
B	8102407024	0

SCALE: 1:20 WEIGHT: SHEET 1 OF 1

PROPRIETARY AND CONFIDENTIAL
 THE INFORMATION CONTAINED IN THIS DRAWING IS SOLE PROPERTY OF NANO
 PURIFICATION SOLUTIONS. ANY REPRODUCTION IN PART OR WHOLE WITHOUT
 THE WRITTEN PERMISSION OF NANO PURIFICATION SOLUTIONS IS PROHIBITED.