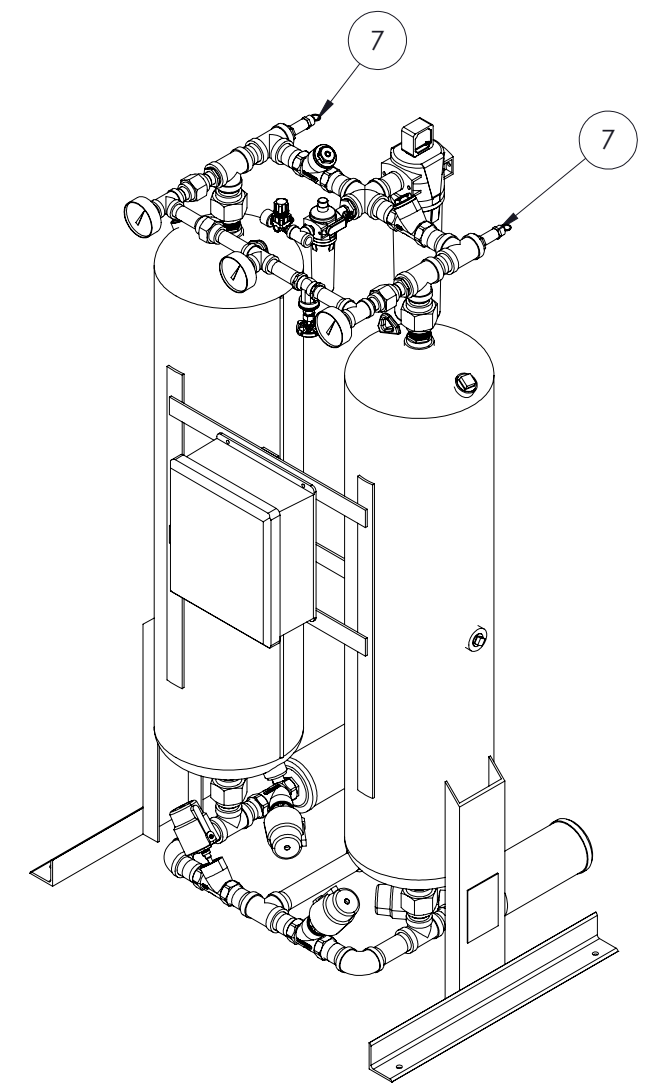


ITEM NO	QTY	DESCRIPTION
1	2	DESICCANT VESSEL
2	2	INLET ANGLE BODY VALVE
3	2	OUTLET CHECK VALVE
4	2	PURGE EXHAUST VALVE
5	2	EXHAUST MUFFLER
6	3	PRESSURE GAUGE
7	2	PRESSURE RELIEF VALVE
8	1	ELECTRICAL ENCLOSURE
9	1	PRE-FILTER
10	1	AFTER FILTER



UNLESS OTHERWISE SPECIFIED:  
 DIMENSIONS ARE IN INCHES  
 TOLERANCES:  
 FRACTIONAL: ± 0.125  
 ANGULAR: ± 0.5°  
 TWO PLACE DECIMAL: ± .03  
 THREE PLACE DECIMAL: ± .003

THIRD ANGLE PROJECTION  
 MATERIAL  
 FINISH  
 DO NOT SCALE DRAWING

	NAME	DATE
DRAWN	O.P.	06/16/24
CHECKED		
ENG APPR.		
MFG APPR.		
Q.A.		
COMMENTS:		

**nano** NANO-PURIFICATION SOLUTIONS  
 323 CRISP CIRCLE  
 MARYVILLE, TENNESSEE 37801-USA

TITLE: DRYER, DESICC, HL0300, HEATLESS, 300 SCFM, 200 PSIG, 100F, T14, W/PRE & AFTER FILTERS, PACK B

SIZE <b>B</b>	DWG. NO. 8102410024	REV <b>0</b>
SCALE: 1:20	WEIGHT:	SHEET 1 OF 1

**PROPRIETARY AND CONFIDENTIAL**  
 THE INFORMATION CONTAINED IN THIS DRAWING IS SOLE PROPERTY OF NANO PURIFICATION SOLUTIONS. ANY REPRODUCTION IN PART OR WHOLE WITHOUT THE WRITTEN PERMISSION OF NANO PURIFICATION SOLUTIONS IS PROHIBITED.