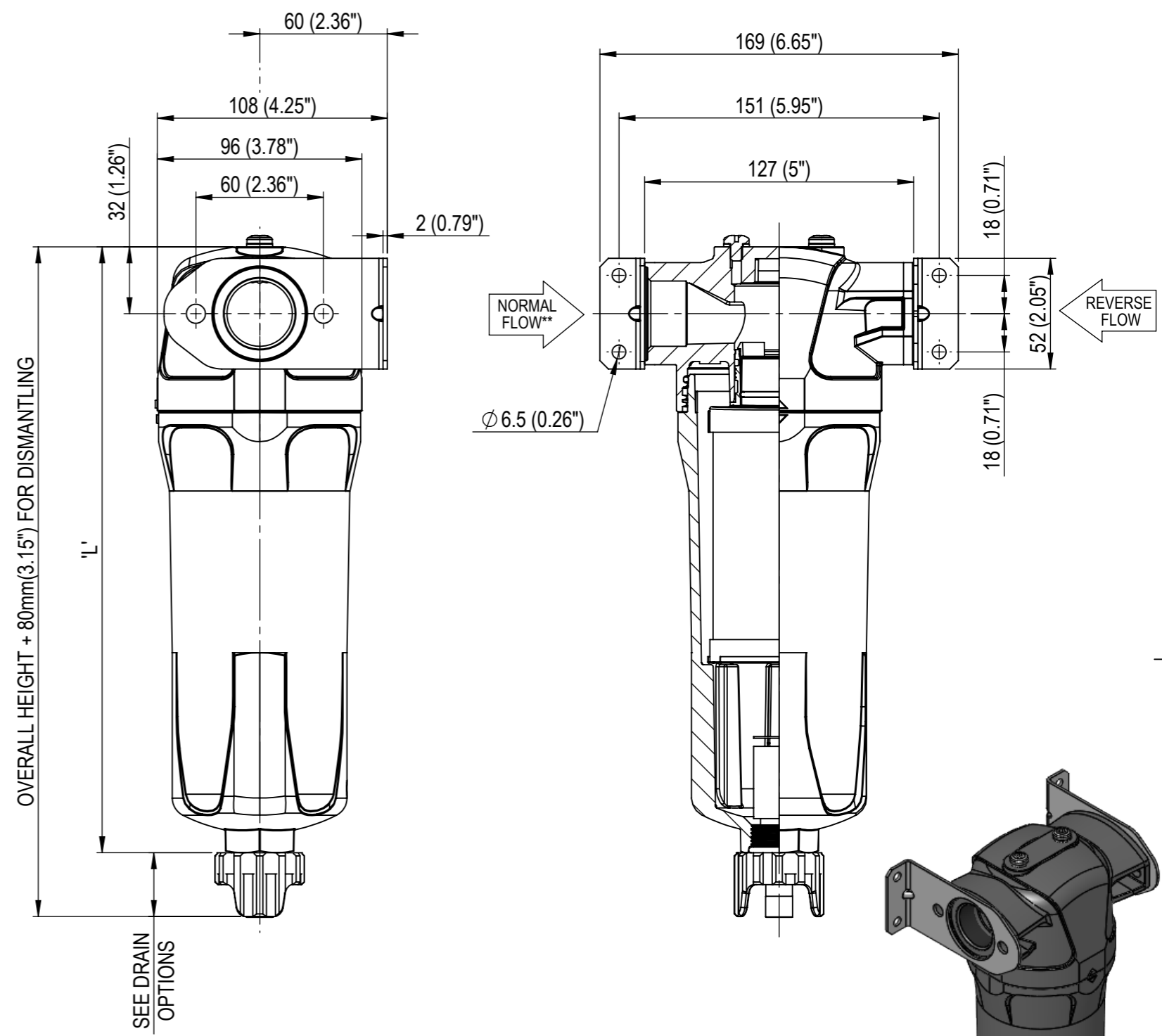
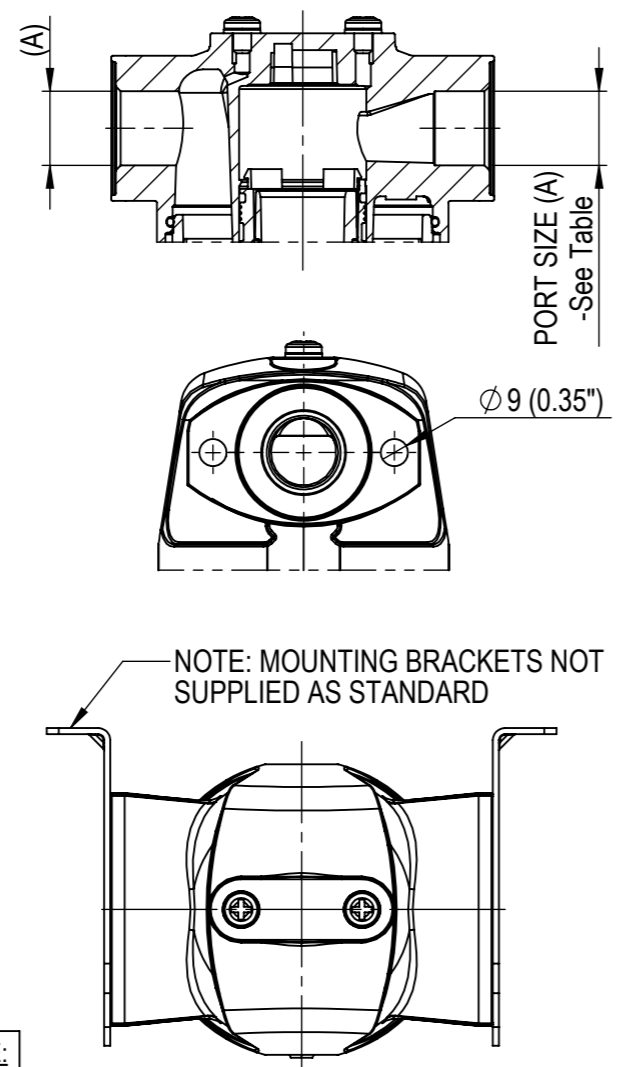


DRAIN PORT TYPE:	MAX. ALLOWABLE WORKING PRESSURE:
AUTOMATIC	16 barg (232 psig)
MANUAL	20.7 barg (300 psig)

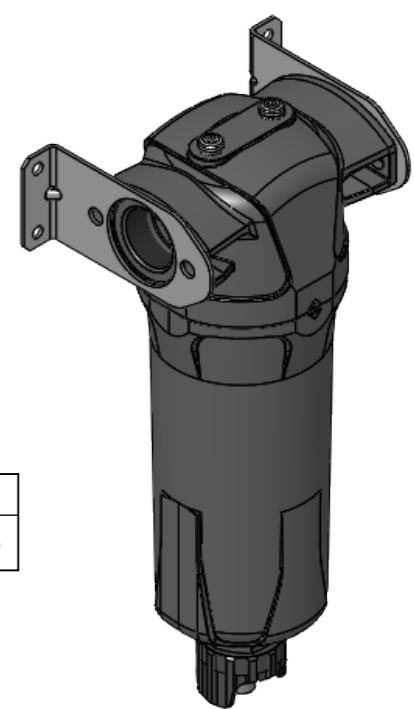
GENERAL PROPERTIES				
FILTER MODEL OPTIONS:				
SIZE 6 - GF0070	SIZE 7 - GF0085	SIZE 8 - GF0105	SIZE 9 - GF0125	SIZE 10 - GF0175
PORT SIZE (A) VALID FOR G & NPT CONNECTIONS:				
½"	¾"	1"	¾"	1"
FLOW RATE:				
33.1 l/s (70 SCFM)	40.0 l/s (85 SFCM)	49.4 l/s (105 SFCM)	58.9 l/s (125 SFCM)	82.5 l/s (175 SFCM)

FILTER GRADE	FLOW DIRECTION	PARTICLE REMOVAL	MAX OIL CARRYOVER AT 20°C	MAX PARTICLE SIZE CLASS*	MAX OIL CONTENT CLASS*	PRESSURE LOSS - CLEAN & DRY	PRESSURE LOSS - SATURATED	MAX AIR INLET TEMP. WTH AUTOMATIC DRAIN	MAX AIR INLET TEMP. WTH MANUAL DRAIN	END CAP COLOUR
M1	N	-	0.3mg/m ³	3	3	55mbar (0.8psi)	125mbar (1.8psi)	80°C (176°F)	N/A	RED
M01	N	-	0.01mg/m ³	1	2	85mbar (1.2psi)	125mbar (1.8psi)	80°C (176°F)	N/A	BLU
AC	N	-	0.003mg/m ³	-	1	115mbar (1.7psi)	-	N/A	50°C (122°F)	BLK
RM1	REV	1µm	-	3	-	55mbar (0.8psi)	-	N/A	120°C (248°F)	RED



FILTER	SIZE 6	SIZE 7	SIZE 8	SIZE 9	SIZE 10
DIM 'L'	285 (11.22")	285 (11.22")	285 (11.22")	371 (14.61")	371 (14.61")

* CLASS IN ACCORDANCE WITH ISO8573-1:2010
 ** FLOW DIRECTION VISUALLY INDICATED ON FILTER HOUSING



REV		CHANGE ORDER	DATE	BY	PROJECT REFERENCE	DRG. TITLE	DRG. NUMBER	MATERIAL	DRG. SIZE
					DESIGN REF	SIZE 6, 7, 8, 9 & 10 FILTER SPECIFICATION	A3- 42-1421	N/A	A3
					CREATED BY IA	DATE 29.7.19			SCALE 1:5
					REVISED BY JL	DATE 9.9.19			CHECK IA