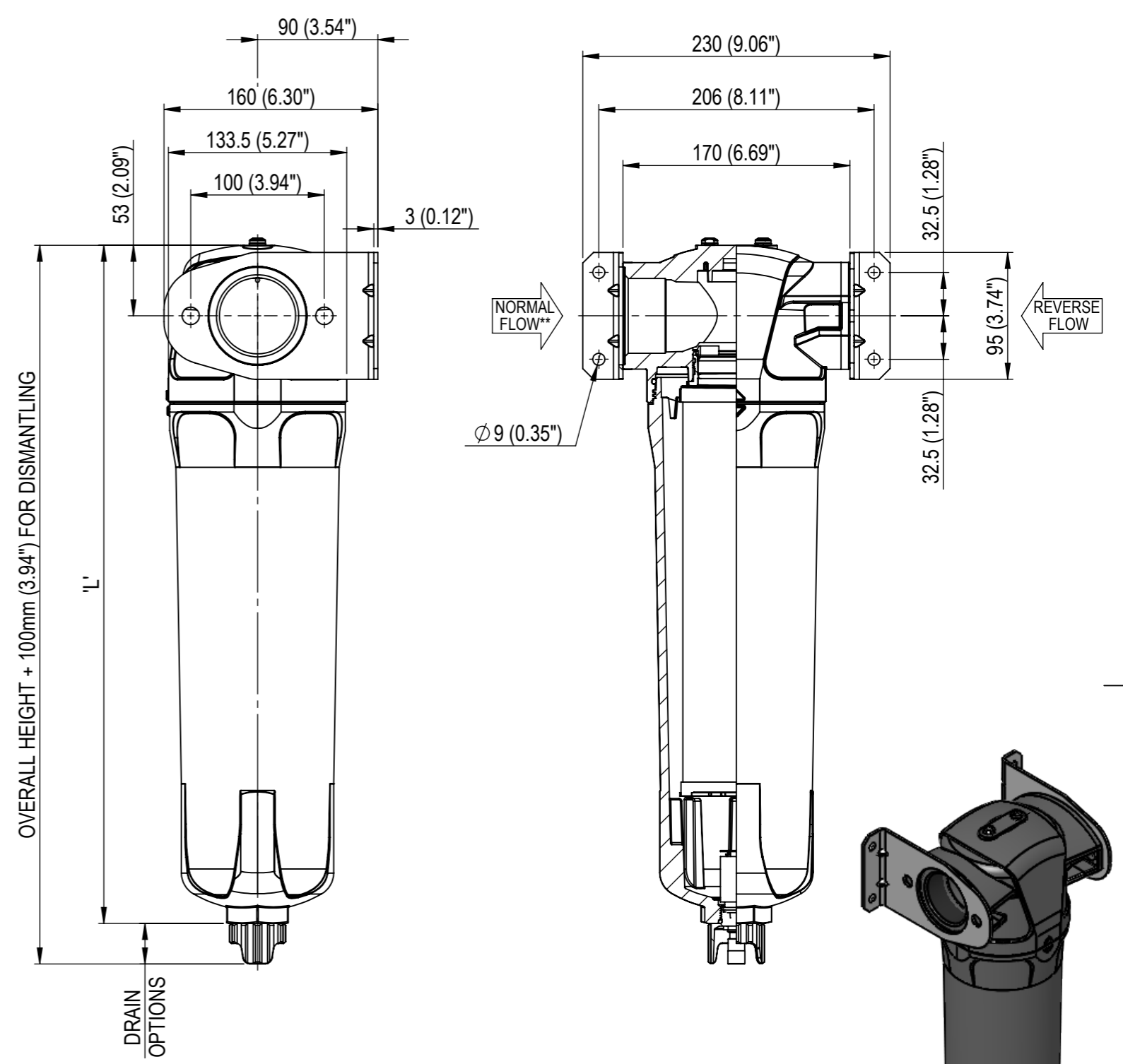


<u>DRAIN PORT TYPE:</u>	<u>MAX. ALLOWABLE WORKING PRESSURE:</u>
AUTOMATIC	16 barg (232 psig)
MANUAL	20.7 barg (300 psig)

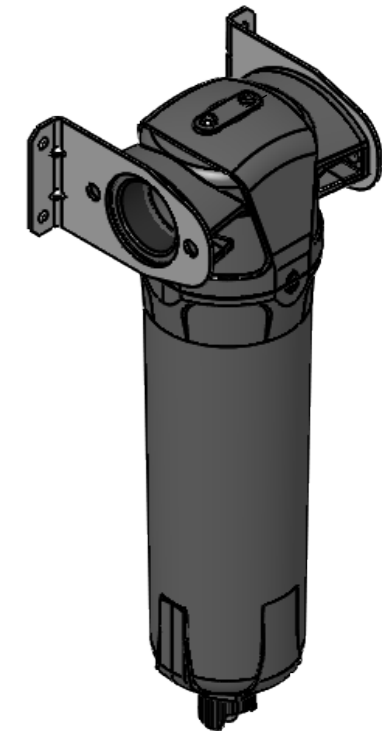
GENERAL PROPERTIES	
<u>FILTER MODEL OPTIONS:</u>	
SIZE 13 - GF0450	SIZE 14 - GF0700
<u>PORT SIZE (A) VALID FOR G &amp; NPT CONNECTIONS:</u>	
2"	2"
<u>FLOW RATE:</u>	
212.5 l/s (450 SCFM)	330.3 l/s (700 SCFM)

FILTER GRADE	FLOW DIRECTION	PARTICLE REMOVAL	MAX OIL CARRYOVER AT 20°C	MAX PARTICLE SIZE CLASS*	MAX OIL CONTENT CLASS*	PRESSURE LOSS - CLEAN & DRY	PRESSURE LOSS - SATURATED	MAX AIR INLET TEMP. WITH AUTOMATIC DRAIN	MAX AIR INLET TEMP. WITH MANUAL DRAIN	END CAP COLOUR
<b>P</b>										
<b>M1</b>	N	-	0.3mg/m <sup>3</sup>	3	3	55mbar (0.8psi)	125mbar (1.8psi)	80°C (176°F)	N/A	RED
<b>M01</b>	N	-	0.01mg/m <sup>3</sup>	1	2	85mbar (1.2psi)	125mbar (1.8psi)	80°C (176°F)	N/A	BLU
<b>AC</b>	N	-	0.003mg/m <sup>3</sup>	-	1	115mbar (1.7psi)	-	N/A	50°C (122°F)	BLK
<b>RM1</b>	REV	1µm	-	3	-	55mbar (0.8psi)	-	N/A	120°C (248°F)	RED



FILTER	SIZE 13	SIZE 14
DIM 'L'	508 (20")	708 (27.87")

\* CLASS IN ACCORDANCE WITH ISO8573-1:2010  
 \*\* FLOW DIRECTION VISUALLY INDICATED ON FILTER HOUSING



REV		CHANGE ORDER	DATE	BY	PROJECT REFERENCE	DRG. TITLE	DRG. NUMBER	MATERIAL	DRG. SIZE
					DESIGN REF	SIZE 13 & 14 FILTER SPECIFICATION	A3- 42-1424	N/A	A3
					CREATED BY IA	DATE 31.7.19			SCALE 1:1
					REVISOR BY JL	DATE 9.9.19			CHECK IA