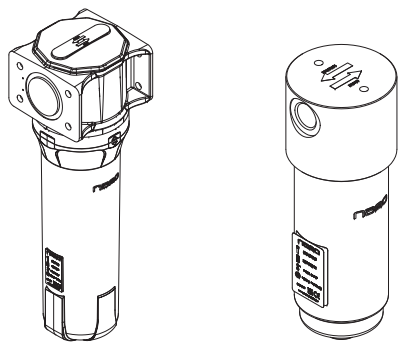
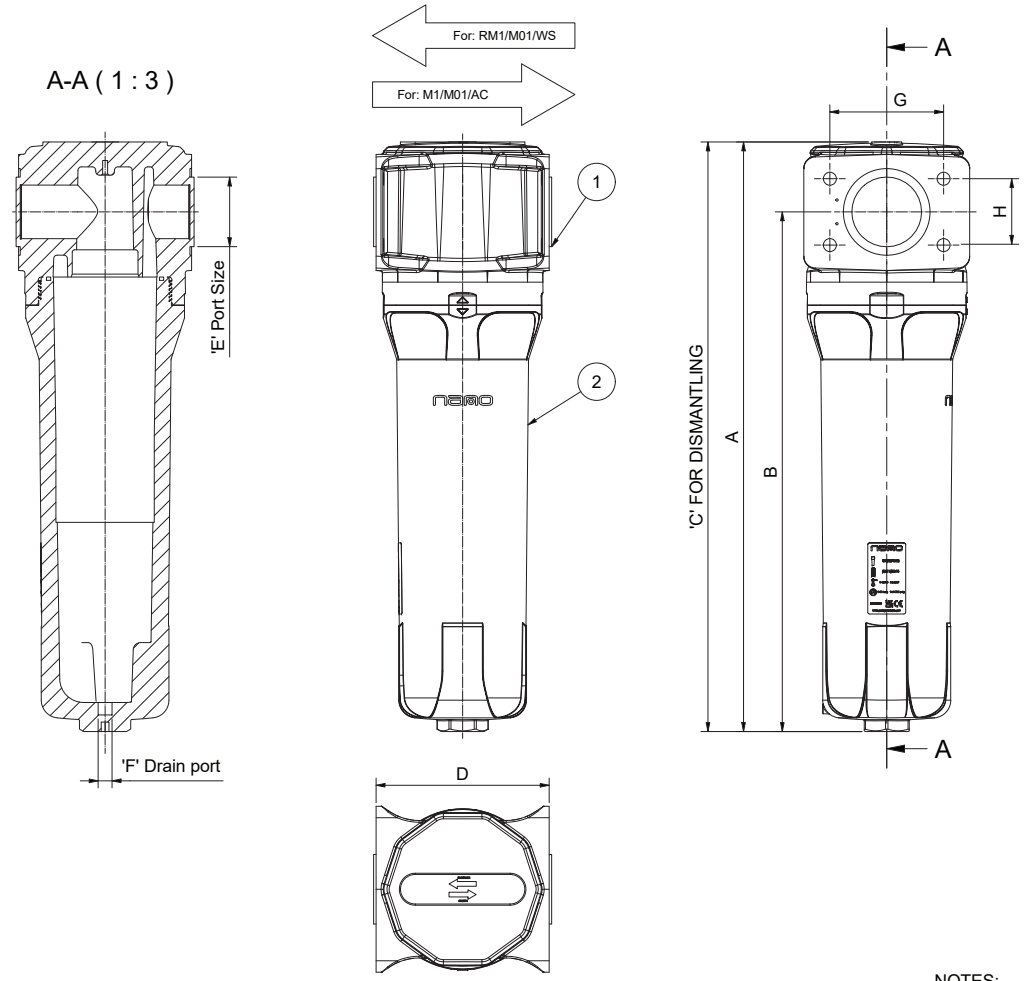


All materials supplied are in compliance with the requirements of the List of Prohibited Substances

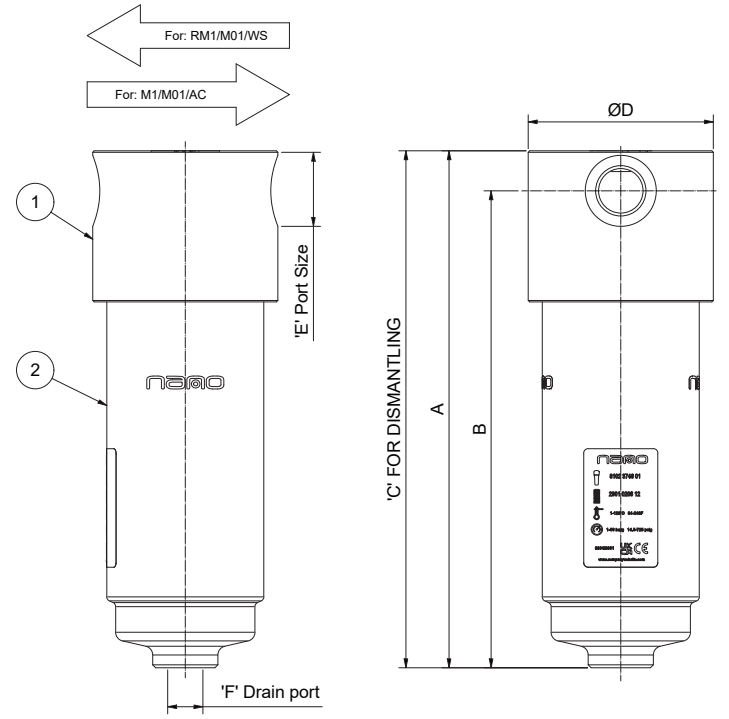
Sizes	Nominal flow scfm	Designation For 'G/NPT' thread	A	B	C	D	E	F	G	H	Mass wt (kg)	PED category
1	95	M1/RM1/M01/RM01/AC/WS	144	131	194	∅62.5	1/4	1/4	-	-	0.7	Art. 4.3
2	150	M1/RM1/M01/RM01/AC/WS	174.5	161	224.5	∅62.5	3/8	1/4	-	-	0.8	Art. 4.3
3	265	M1/RM1/M01/RM01/AC/WS	279.5	232.5	359.5	110	1/2	1/4	72	42	3.4	Art. 4.3
4	325	M1/RM1/M01/RM01/AC/WS	279.5	232.5	359.5	110	3/4	1/4	72	42	3.4	Art. 4.3
5	490	M1/RM1/M01/RM01/AC/WS	364.5	317.5	444.5	110	1	1/4	72	42	4.1	CAT I
6	735	M1/RM1/M01/RM01/AC/WS	497.5	438.5	597.5	146	1 1/2	1/4	96	56	8.9	CAT I
7	1015	M1/RM1/M01/RM01/AC/WS	497.5	438.5	597.5	146	1 1/2	1/4	96	56	9.1	CAT I
8	1135	M1/RM1/M01/RM01/AC/WS	497.5	438.5	597.5	146	2	1/4	96	56	9.1	CAT I
9	1885	M1/RM1/M01/RM01/AC/WS	699.5	640.5	799.5	146	2	1/4	96	56	11.4	CAT I



For Sizes 3-9



For Sizes 1-2



Item No.	Description	Material	Colour	Remark
1	HEAD	ALUMINIUM	BLACK	CAST HEAD
2	BOWL	ALUMINIUM	BLACK	CAST BOWL

NOTES:  
1) All dimensions are in mm.

Tolerances, if not indicated, according to:											
Name		DIMENS. DRWG 95 to 1885 (DIMENSION DWG.)					Confidentiality Class acc. to 1102 K		Confidential		
Material		See drawing					Treatment		See Drawing		
Scale		1 : 5		Family		A2 Compare		Drawing owner			
Drawn by		a90005762		Blank nr.		Replaces		API			
Version Drwg		Blank wt		Kg Fini wt.		N/A		Designation			
STATUS		Des checked.		Prod checked.		Approved.		Date		02/06/2024	
Parent 3D model		Ed . Version 3D		WorkInProgress		Sheet		1 / 2			
										9827700440-01	

CONFIDENTIAL: This document is our property and shall not be used without our permission. All rights reserved. No part of this document may be reproduced or transmitted in any form or by any means electronic or mechanical, including photocopying, recording, or by any information storage and retrieval system, without permission in writing from our company.

Ed	Position	Modified from	Date	Intr./Appd.