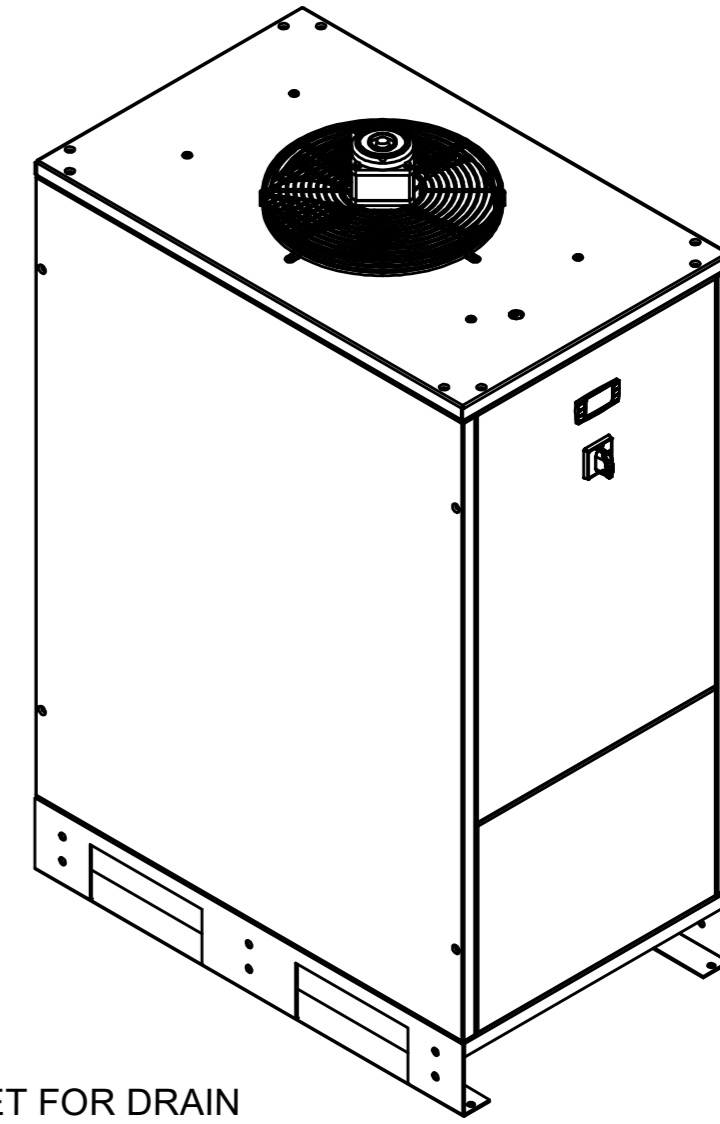
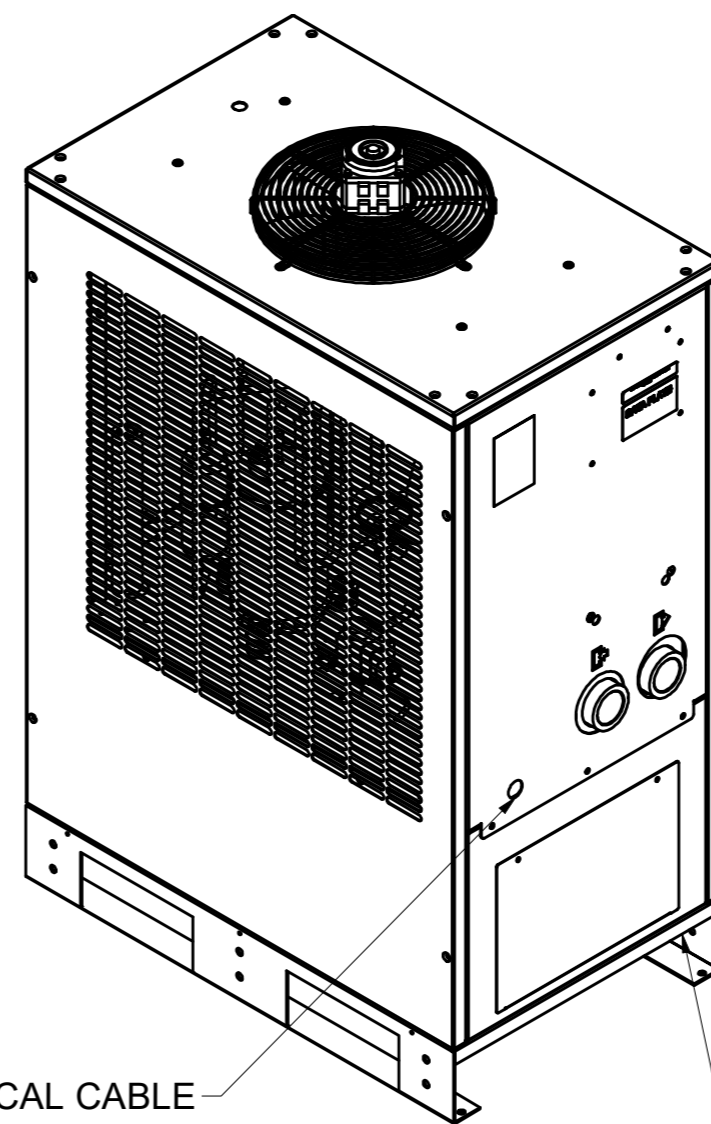
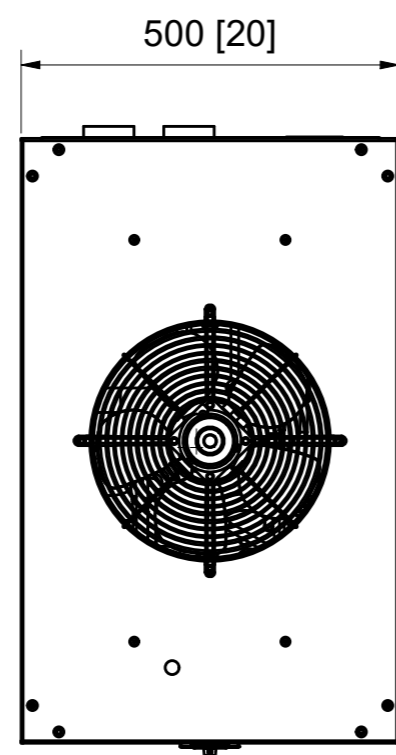
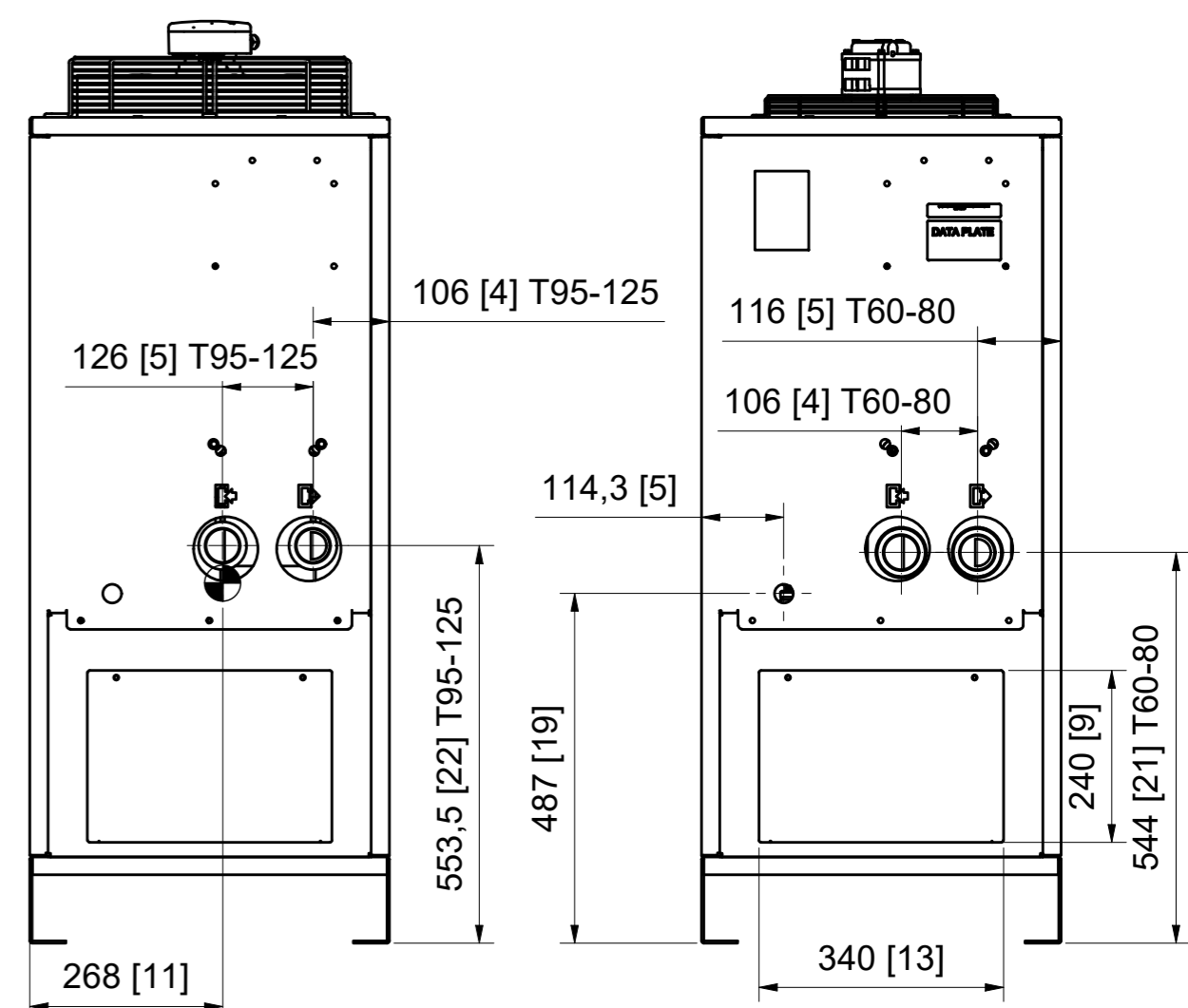
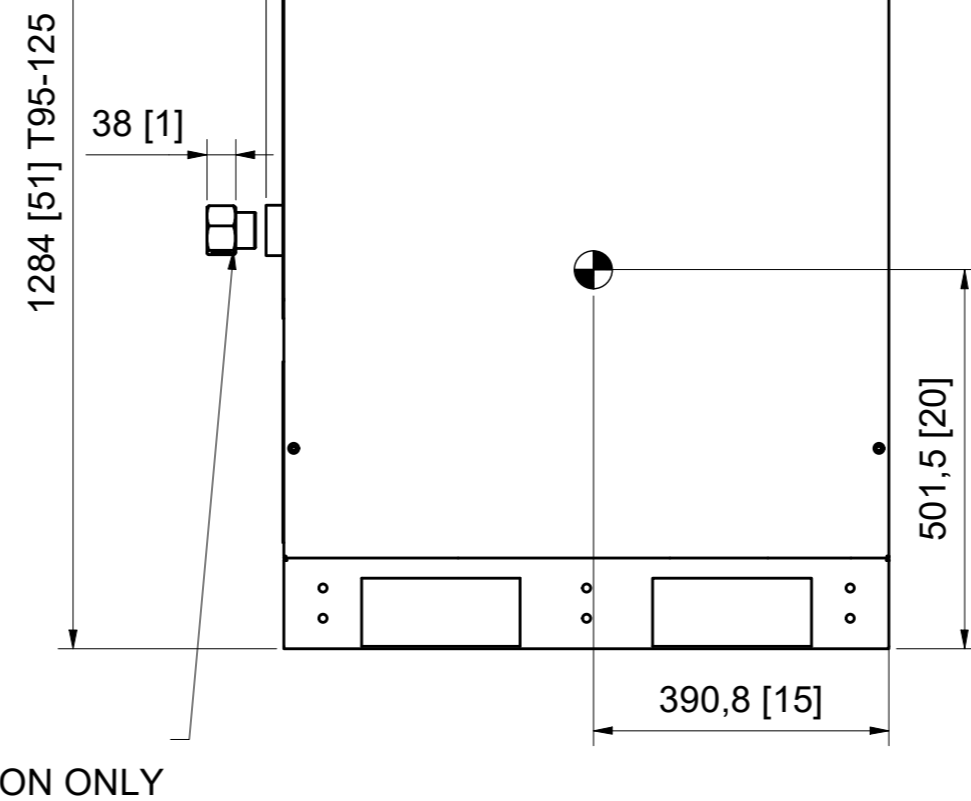
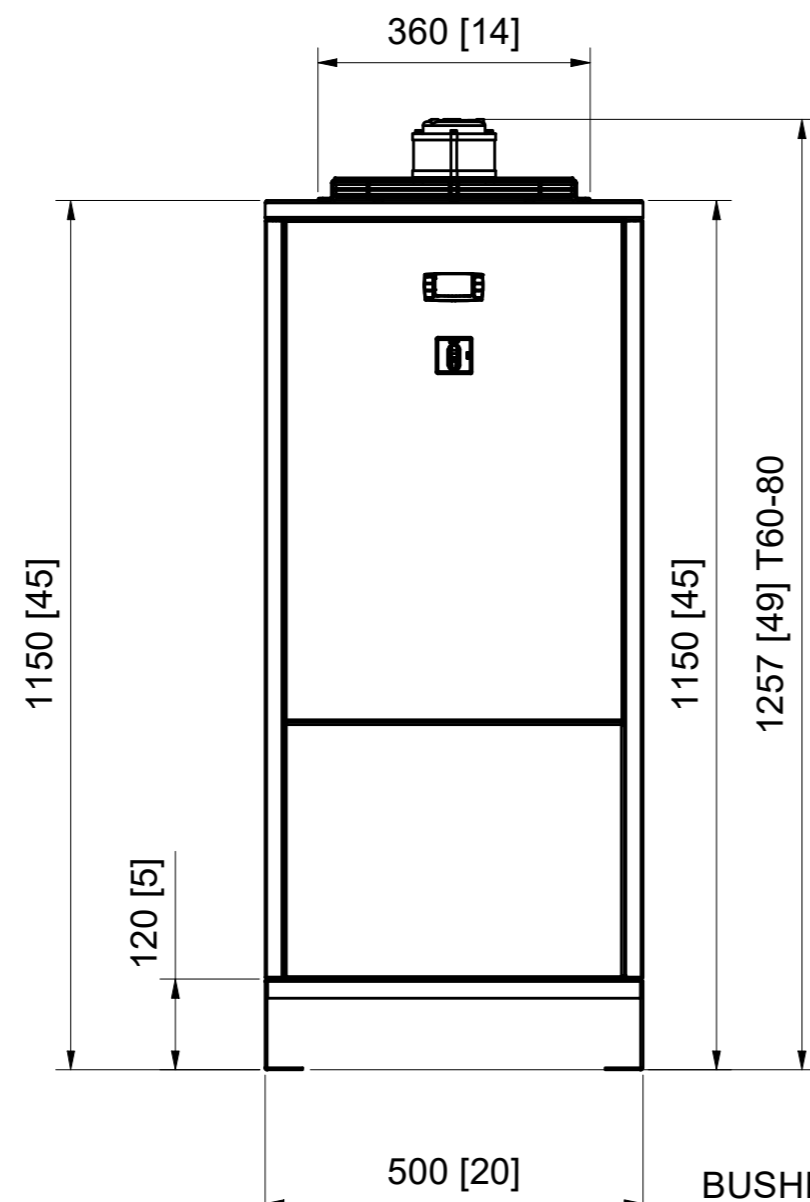
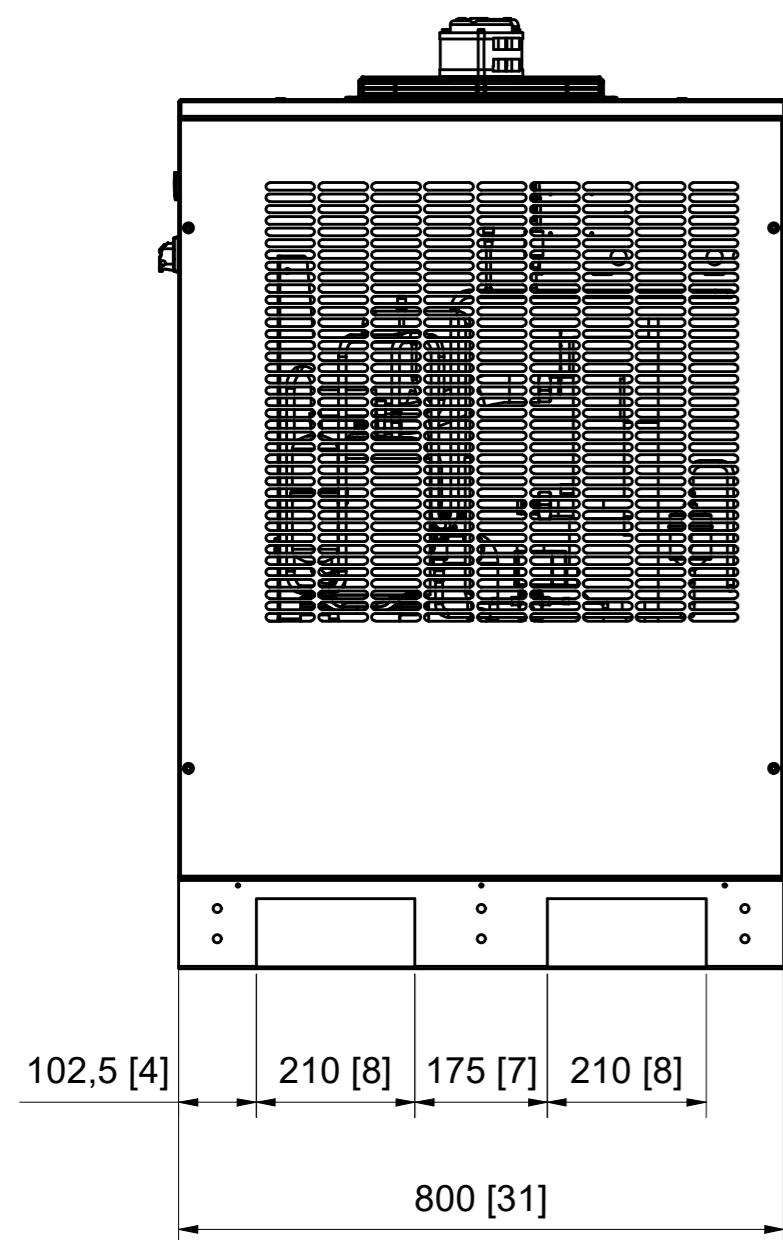


All materials supplied are in compliance with the requirements of the List of Prohibited Substances



Air connections	CE (standard)	UL (bushings)
T60-80	1 1/2" GAS F	1 1/2" NPT F
T95-125	1 1/2" GAS F	1 1/2" NPT F

Centre of gravity
All dimensions: mm [inch]

Tolerances, if not indicated, according to:					
Name	DIM DRAWING TMC_0215-0450_E			Confidentiality Class acc. to 1102 K	
Material				Internal	
Treatment	Not applicable			INV	
Scale	1:10	Family	T60-125	Compare	
Drawn by	CAlebetin	Blank nr.		Replaces	
Drawing format	Blank wt	Kg	Fini wt.	see ATR	Designation
STATUS	A2				Sheet 1 / 1
Parent 3D model	9828084934	Ed . Version	3D	Approved Internal	9828084949
				Date	3/02/2023

CONFIDENTIAL: This document is property of Air & Gas Solutions LLC and shall not without our permission be altered, copied, used for manufacturing or communicated to any other person or company.

00		First release. DN23054168.	17/10/2023	CAldelorenz
Ed	Position	Modified from	Date	Intr./Appd.