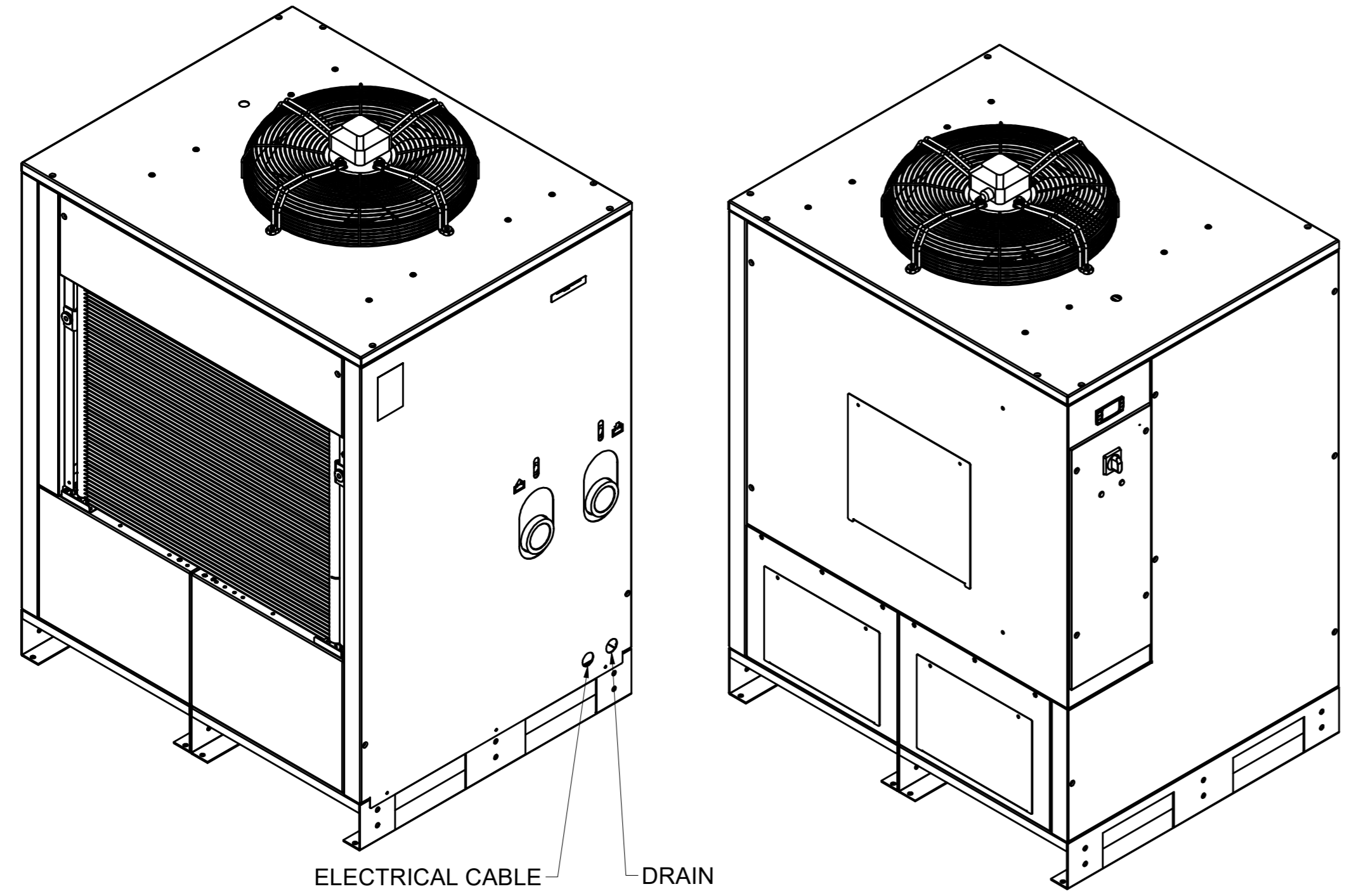
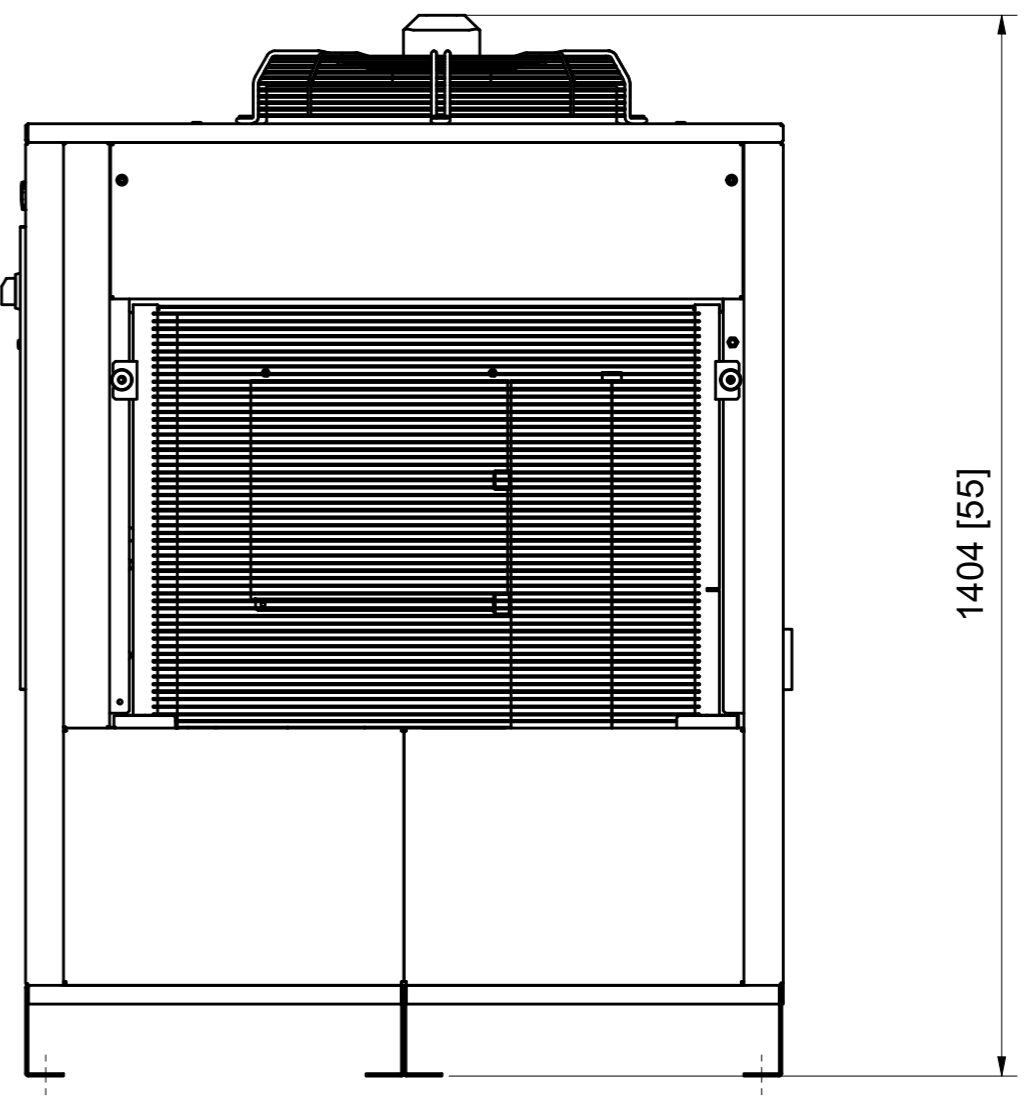
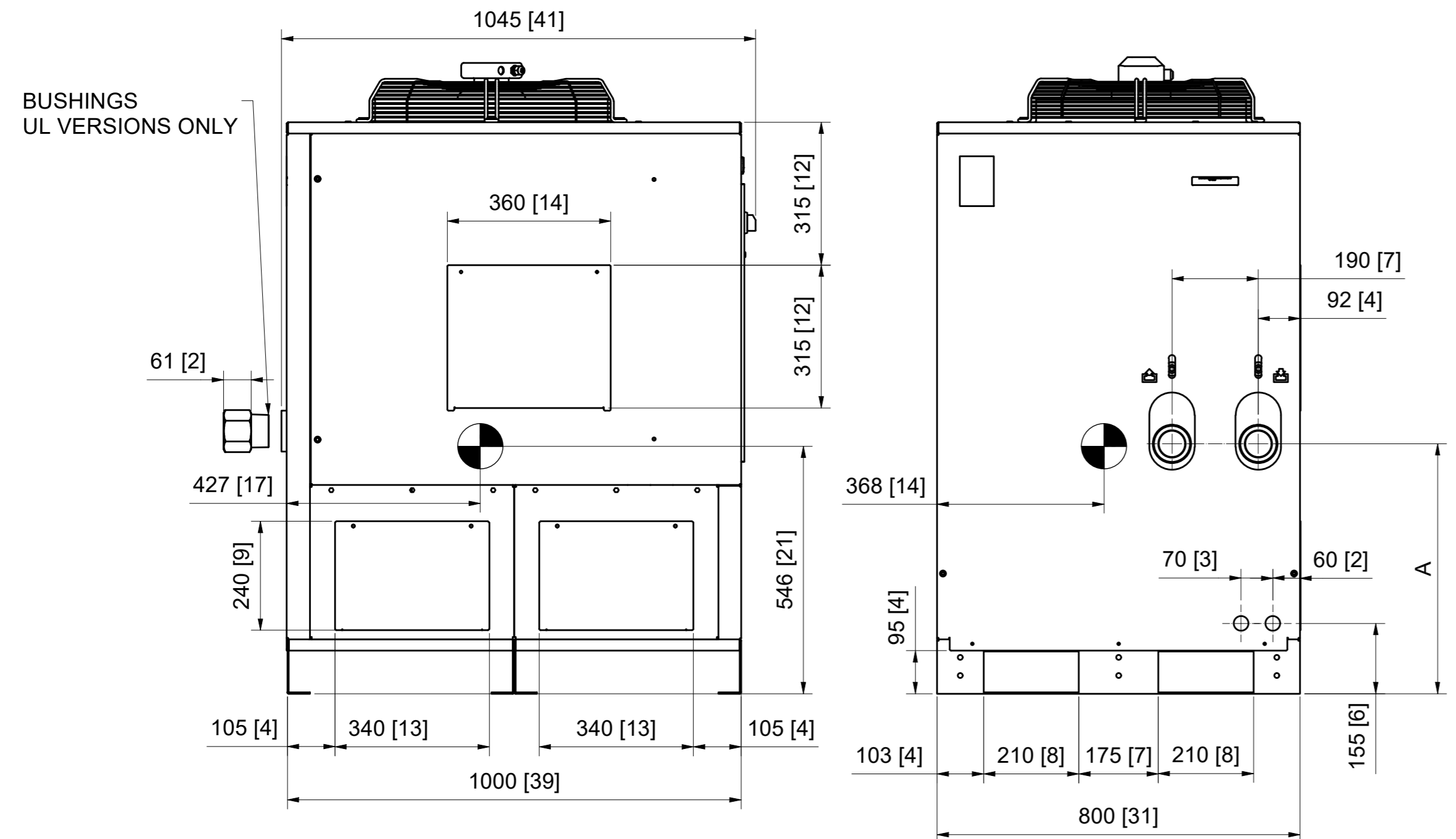


All materials supplied are in compliance with the requirements of the List of Prohibited Substances



Air connections	CE (standard)	UL (bushings)	A
T150-190	2"GAS F	2"NPT F	551 [22]
T240	2 1/2"GAS F	2 1/2"NPT F	579 [22.8]
T300	2 1/2"GAS F	2 1/2"NPT F	599 [23.6]

ALL DIMENSIONS: mm / inch

Tolerances, if not indicated, according to:			
Name DIM DRAWING TMC_0540-1080_E			Confidentiality Class acc. to 1102 K
Material			Internal
Treatment Not applicable			INV
Scale 1:10	Family T150-300	Compare	Drawing Owner
Drawn by CAlebettin	Blank nr.	Replaces	Transferred from
Drawing format A2	Blank wt. Kg	See ATR	Sheet 1 / 1
STATUS	Des checked.	Prod checked.	Approved.
Parent 3D model	Ed. Version 3D	Approved Internal	Date 3/02/2023

CONFIDENTIAL: This document is property of Air & Gas Solutions LLC and shall not without our permission be altered, copied, used for manufacturing or communicated to any other person or company.

00	First release.DN23054168.	18/10/2023	CAIldelorenz
Ed	Position	Modified from	Date Intr./Appd.

9828084935	Parent 3D model	Ed. Version 3D
------------	-----------------	----------------

9828084950